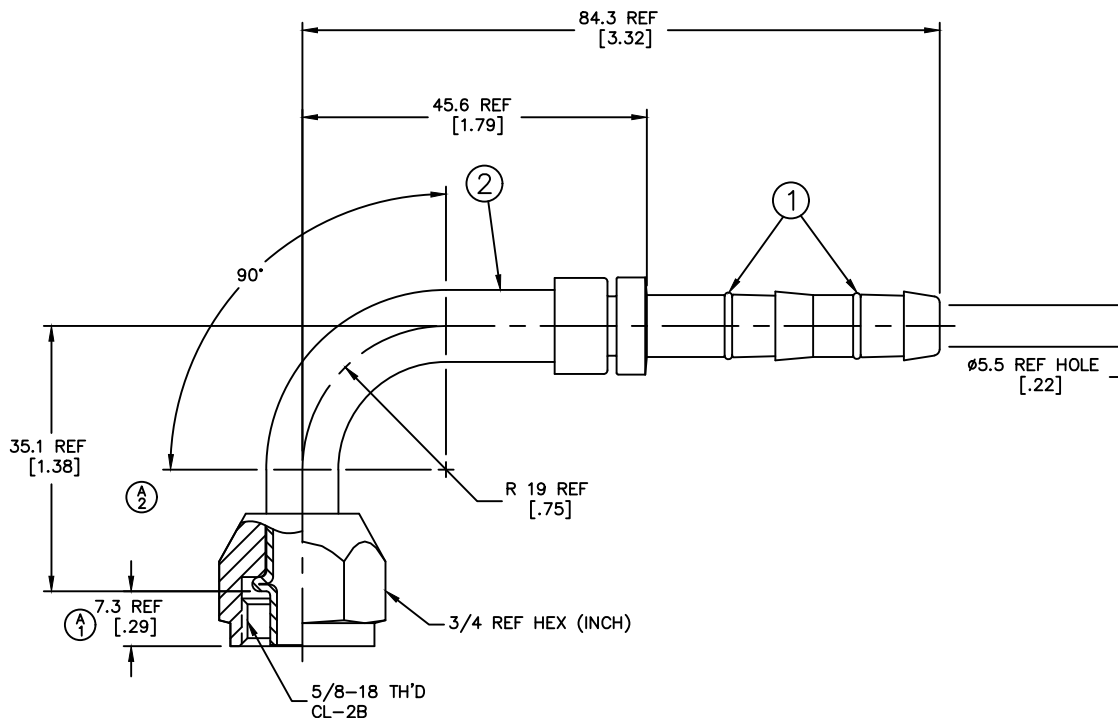


REVISIONS			
REV	DESCRIPTION	DATE	APPROVED
A	(1) ADDED DIMENSION (2) DELETED DIMENSION (3) ITEM TYPE WAS "ETSA"	2001-03-19 R.D.W.	EN-F21402 DP-24901



- 2. DIMENSIONS ARE IN MILLIMETERS [INCHES].
- 1. LUBRICATE O'RINGS AND ASSEMBLE ON NIPPLE AS SHOWN.

METRIC

FJ3288-01-0606S	1F40106-06	FJ2288-01-0606S			
AEROQUIP PART NUMBER	① O'RING (2 REQ'D)	② NIPPLE ASSEMBLY			
LIST OF MATERIALS					
ITEM NO.	MATERIAL	DRAWN S. BOHN	FLUID CONVEYANCE DIVISION		
1	HNBR	CHECKED R. D. WEBB <td colspan="3">DRAWING TITLE</td>	DRAWING TITLE		
2	STEEL	APPROVED K. LUDWIG <td colspan="3">FITTING ASSEMBLY</td>	FITTING ASSEMBLY		
		RELEASE DATE 2000-10-24	90°, FEMALE O'RING PILOT (LONG), GH134 HOSE		
		EN-F20749	SIZE A2	DRAWING NUMBER FJ3288-01-0606S	REV A
		DP-1256	SCALE 2:1	DIST U	CAGE CODE 01276
		THIRD ANGLE PROJECTION			SHEET
		ITEM TYPE: TSA			

DWG. NO. FJ3288-01-0606S REV. A SH. 1