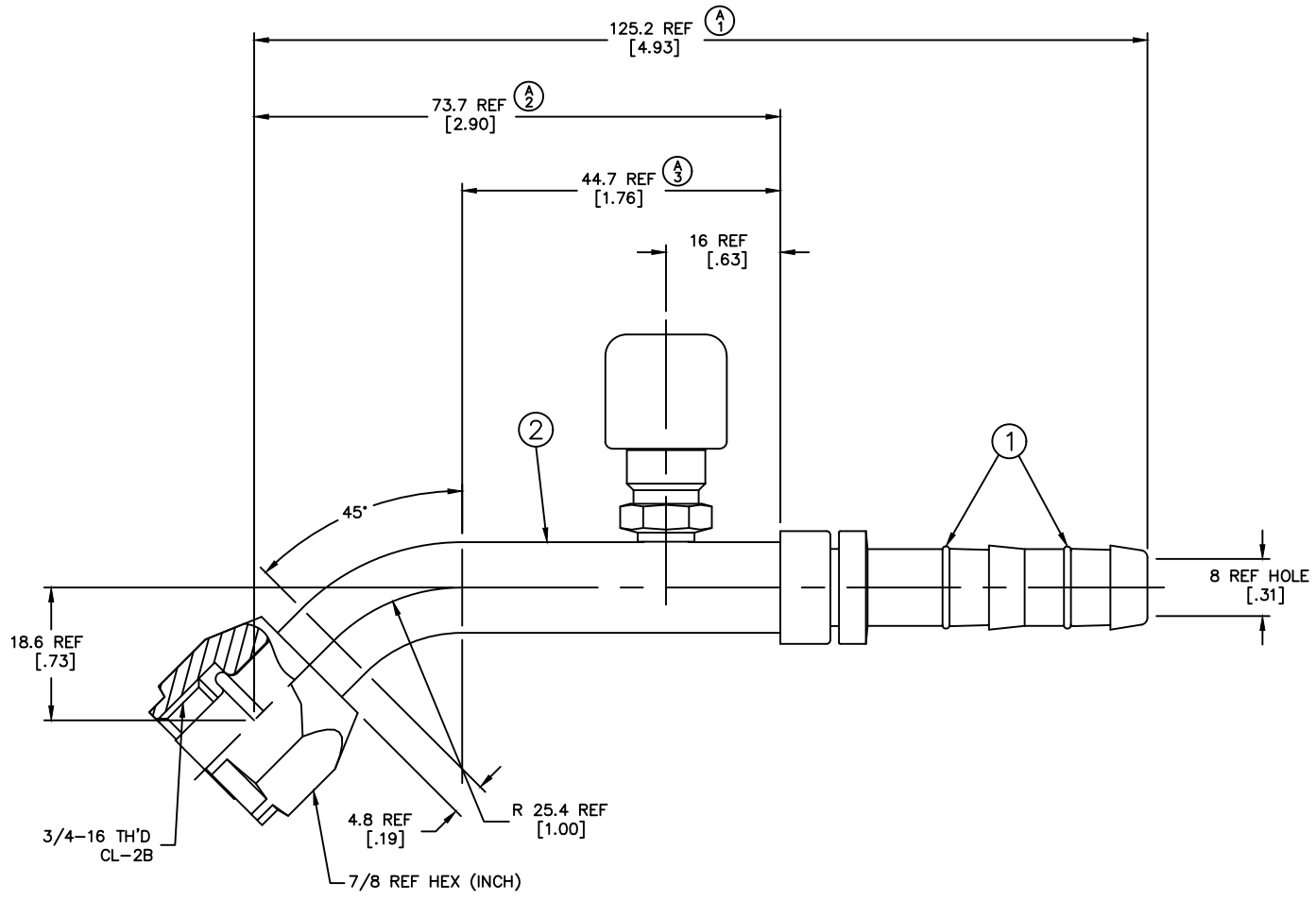


THE REPRODUCTION, DISTRIBUTION AND UTILIZATION OF THIS DOCUMENT AS WELL AS THE COMMUNICATION OF ITS CONTENTS TO OTHERS WITHOUT EXPLICIT AUTHORIZATION IS PROHIBITED. OFFENDERS WILL BE HELD LIABLE FOR THE PAYMENT OF DAMAGES. ALL RIGHT RESERVED IN THE EVENT OF THE GRANT OF A PATENT, UTILITY MODEL OR DESIGN. (PER ISO 10106)

REVISIONS			
REV	DESCRIPTION	DATE	APPROVED
A	(1) WAS 112.5 REF [4.43] (2) WAS 61.1 REF [2.40] (3) WAS 32 REF [1.26]	2000-11-09 BAT	EN-F20845 DP-1325



METRIC

- 2. DIMENSIONS ARE IN MILLIMETERS [INCHES].
- 1. LUBRICATE O'RINGS AND ASSEMBLE TO NIPPLE AS SHOWN.

FJ3230-03-0808S	1F40106-08	FJ2230-03-0808S			
AEROQUIP PART NUMBER	① O'RING (2 REQ'D)	② NIPPLE ASSEMBLY			
LIST OF MATERIALS					
ITEM NO.	MATERIAL	DRAWN	FLUID CONVEYANCE DIVISION		
1	HNBR	S. BOHN	 DRAWING TITLE FITTING ASSEMBLY 45°, FEMALE O'RING PILOT (LONG), WITH SWITCH PORT, GH134 HOSE		
2	STEEL	CHECKED			
		R. D. WEBB			
		APPROVED			
		K. LUDWIG			
		RELEASE DATE	SIZE	DRAWING NUMBER	REV
		2000-10-26	A2	FJ3230-03-0808S	A
		EN-F20755	SCALE	DIST	CAGE CODE
		DP-1256	2:1	U	01276
		THIRD ANGLE PROJECTION			SHEET
		ITEM TYPED TSA			

DWG. NO. FJ3230-03-0808S REV. A