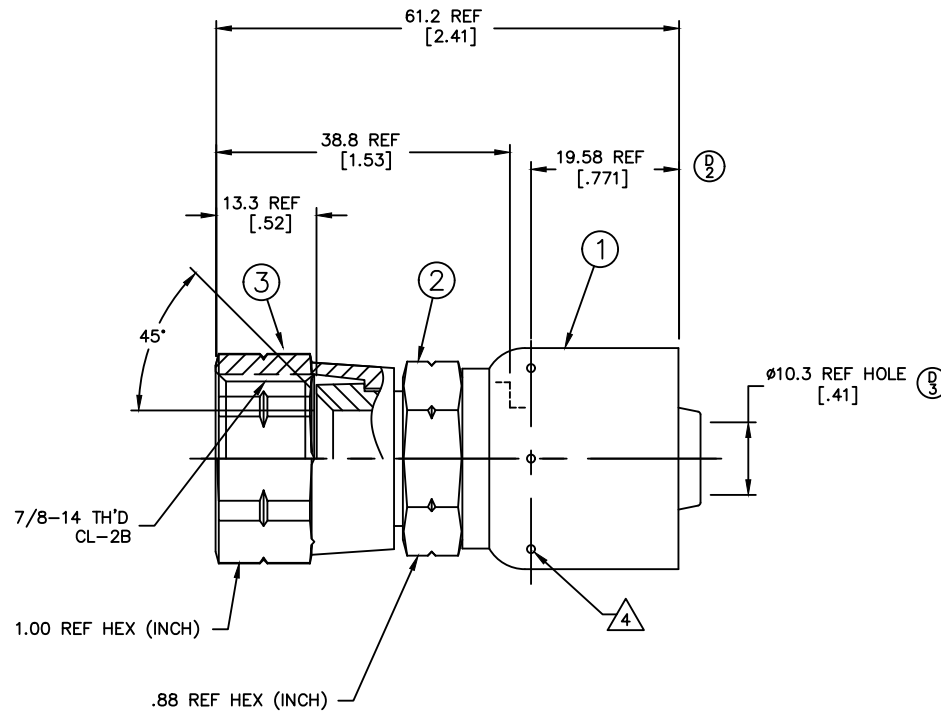


REVISIONS			
REV	DESCRIPTION	DATE	APPROVED
C	REACTIVATED AS PER REV "A" TO SHOW AEROQUIP DESIGN	2006-05-12 RHJ/KBM	EN-F30034 DP-1299
D	ADDED MARKING FOR CRIMP LOCATION. UPDATED DRAWING ACCORDINGLY 1) ADDED NOTE #4 2) ADDED DIMENSION 3) WAS $\phi 9.6$ [.38] REF HOLE	2021-11-17 ARK	CO-0221252



METRIC

- 4. CRIMP LOCATION IMPRESSION MARK (6-8 PLACES). $\text{\textcircled{D}}$
- 3. DIMENSIONS ARE IN MILLIMETERS [INCHES].
- 2. THERE SHOULD BE NO SOCKET MOVEMENT ON THE NIPPLE AFTER CRIMPING.
- 1. PROCESS AS FOLLOWS:
 - (a) CRIMP NUT PER ES 2409P3.
 - (b) CRIMP SOCKET PER ES 2409P17.

FJ3094-1010S	FW1186-10S	FW1227-1010S	210224-10S		
AEROQUIP PART NUMBER	$\text{\textcircled{1}}$ SOCKET	$\text{\textcircled{2}}$ NIPPLE	$\text{\textcircled{3}}$ NUT		
LIST OF MATERIALS					
ITEM NO.	MATERIAL	DRAWN T. HARTFORD	FLUID CONVEYANCE DIVISION DRAWING TITLE FITTING ASSEMBLY SAE 45° SWIVEL, 1503 HOSE		
1	STEEL	CHECKED R.D. WEBB			
2	STEEL	APPROVED R.D. GARRETT			
3	STEEL	RELEASE DATE 2000-04-26			
		EN-F19880	SIZE	DRAWING NUMBER	REV
		DP-1290	A2	FJ3094-1010S	D
		THIRD ANGLE PROJECTION	SCALE	DIST	CAGE CODE
		$\text{\textcircled{D}}$ $\text{\textcircled{D}}$	2/1	U	01276
					SHEET
					1
<small>THE REPRODUCTION, DISTRIBUTION AND UTILIZATION OF THIS DOCUMENT AS WELL AS THE COMMUNICATION OF ITS CONTENTS TO OTHERS WITHOUT EXPLICIT AUTHORIZATION IS PROHIBITED. OFFENDERS WILL BE HELD LIABLE FOR THE PAYMENT OF DAMAGES. ALL RIGHT RESERVED IN THE EVENT OF THE GRANT OF A PATENT, UTILITY MODEL OR DESIGN. (PER ISO 16016)</small>					