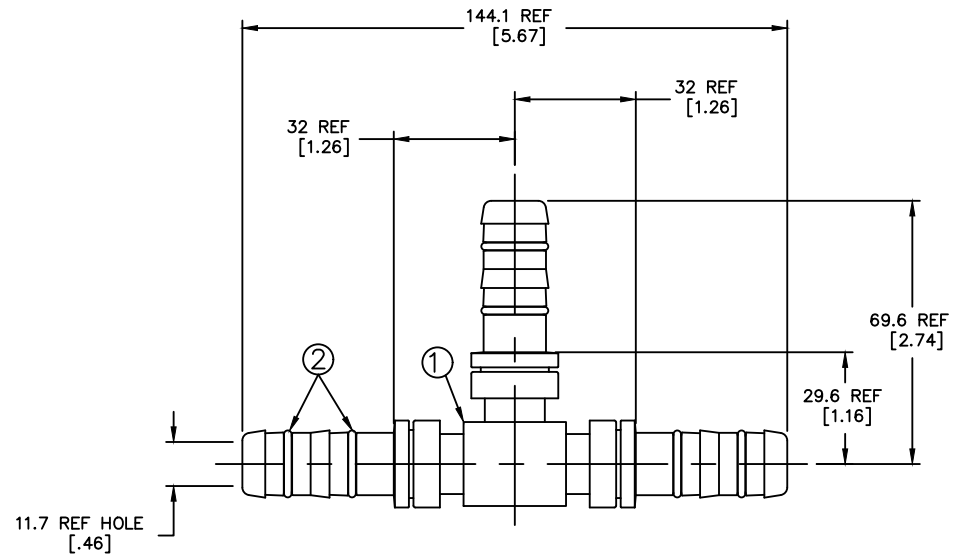


REVISIONS			
REV	DESCRIPTION	DATE	APPROVED



METRIC

- 2. DIMENSIONS ARE IN MILLIMETERS [INCHES].
- 1. LUBRICATE O'RINGS AND ASSEMBLE TO NIPPLES AS SHOWN.

FJ3066-1212S	FJ2066-1212S	1F40106-12			
AEROQUIP PART NUMBER	① NIPPLE ASSEMBLY	② O'RINGS (6 REQ'D)			
LIST OF MATERIALS					
ITEM NO.	MATERIAL	DRAWN	FLUID CONVEYANCE DIVISION		
1	STEEL	W.R.HYDE			
2	HNBR	R.D.GARRETT			
		APPROVED	DRAWING TITLE		
		J.GRAU	FITTING ASSEMBLY		
		RELEASE DATE	TEE, GH134 HOSE		
		1999-12-06			
		EN-F19576	SIZE	DRAWING NUMBER	REV
		DP-1256	A2	FJ3066-1212S	
		THIRD ANGLE PROJECTION	SCALE	DIST	CAGE CODE
				U	01276
		ITEM TYPE: TZA	SHEET NO		

DWG. NO. FJ3066-1212S SH. REV.