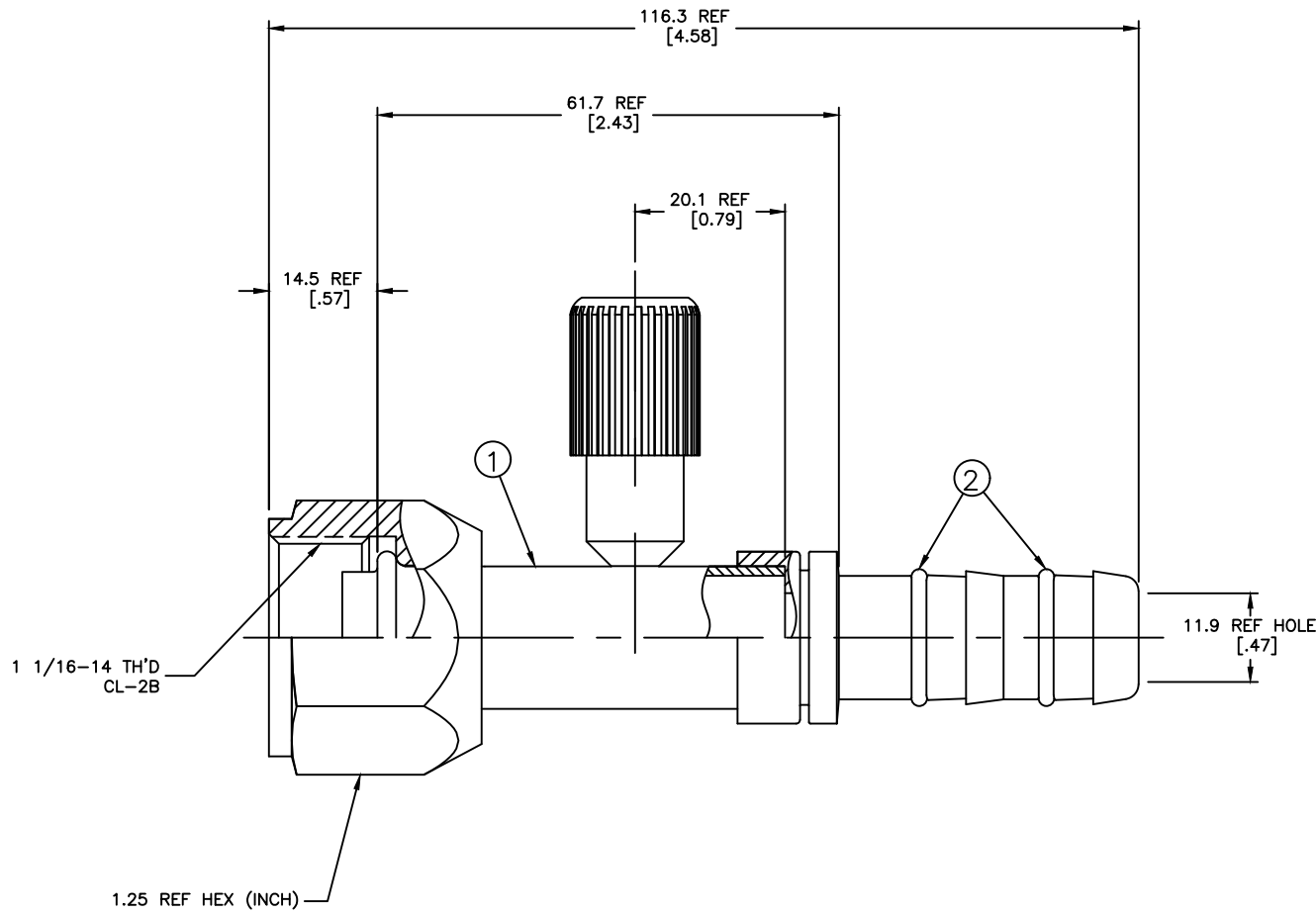


REVISIONS			
REV	DESCRIPTION	DATE	APPROVED



METRIC

- DIMENSIONS ARE IN MILLIMETERS [INCHES].
- LUBRICATE O'RINGS AND ASSEMBLE TO NIPPLE AS SHOWN.

FJ3054-1212S	FJ2054-1212S	1F40106-12		
AEROQUIP PART NUMBER	① NIPPLE ASSEMBLY	② O'RING (2 REQ'D)		
LIST OF MATERIALS				
ITEM NO.	MATERIAL	DRAWN	FLUID CONVEYANCE DIVISION	
1	STEEL	S. BOHN	 DRAWING TITLE FITTING ASSEMBLY FEMALE O'RING PILOT (SHORT) WITH LOW SIDE CHARGE PORT, GH134 HOSE	
2	HNBR	CHECKED R. D. WEBB		
		APPROVED D. SHOWALTER		
		RELEASE DATE 2000-09-26		
		EN-F20548 DP-1256		
		THIRD ANGLE PROJECTION	SIZE	DRAWING NUMBER
			A2	FJ3054-1212S
		ITEM TYPE: D.T.S.A.	SCALE 2:1	DIST U CAGE CODE 01276 SHEET

DWG. NO. FJ3054-1212S