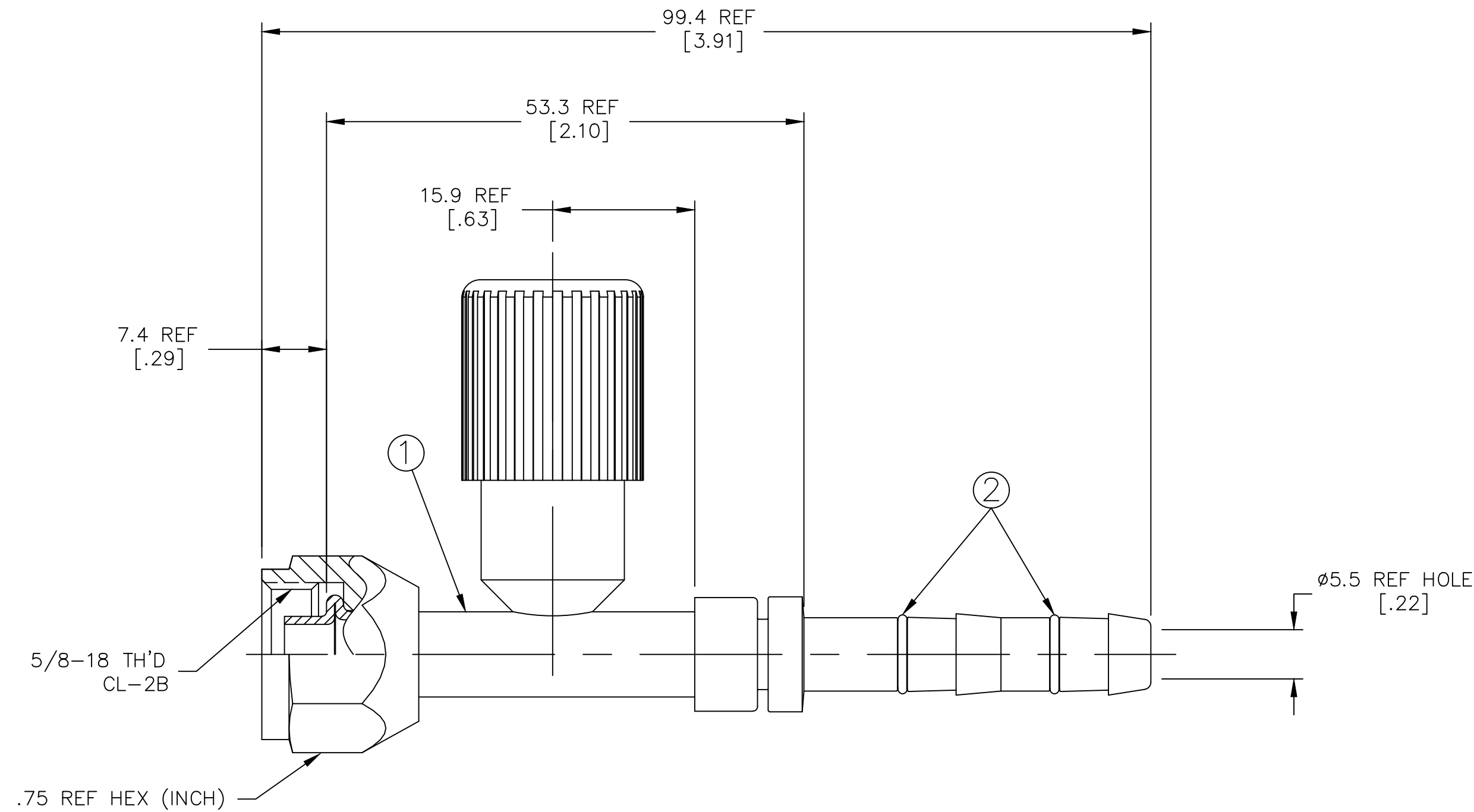


REVISIONS			
REV	DESCRIPTION	DATE	APPROVED
A	1) ADDED NEW PART NUMBER "FCE4412".	2020-08-05 DMK	CO-0207135
B	1) FBE4412 WAS FCE4412.	2020-09-30 AAG	CO-0208943



METRIC

ITEM NO.	MATERIAL	DESCRIPTION	QTY	UNIT
1	STEEL	NIPPLE ASSEMBLY	1	
2	HNBR	O-RING	2	REQ'D

LIST OF MATERIALS			
ITEM NO.	MATERIAL	DESCRIPTION	QTY
1	STEEL	NIPPLE ASSEMBLY	1
2	HNBR	O-RING	2

- DIMENSIONS ARE IN MILLIMETERS [INCHES].
- LUBRICATE O'RINGS AND ASSEMBLE TO NIPPLE AS SHOWN.

DRAWN: W.R.HYDE
 CHECKED: R.D.GARRETT
 APPROVED: R.D.GARRETT
 RELEASE DATE: 1999-12-19
 EN-F19520
 DP-1256
 THIRD ANGLE PROJECTION

Danfoss FLUID CONVEYANCE DIVISION
 DRAWING TITLE: FITTING ASSEMBLY
 FEMALE O-RING PILOT (SHORT) WITH
 HIGH SIDE CHARGE PORT, GH134 HOSE

SIZE: A2	DRAWING NUMBER: FJ3053-0606S	REV: B
SCALE: 1:1	DIST: U	CAGE CODE: 01276
SHEET		

THE REPRODUCTION, DISTRIBUTION AND UTILIZATION OF THIS DOCUMENT, AS WELL AS THE COMMUNICATION OF ITS CONTENTS TO OTHERS WITHOUT EXPLICIT AUTHORIZATION IS PROHIBITED. OFFENDERS WILL BE HELD LIABLE FOR THE PAYMENT OF DAMAGES. ALL RIGHTS RESERVED IN THE EVENT OF THE GRANT OF A PATENT, UTILITY MODEL OR DESIGN. (PER ISO 18016)