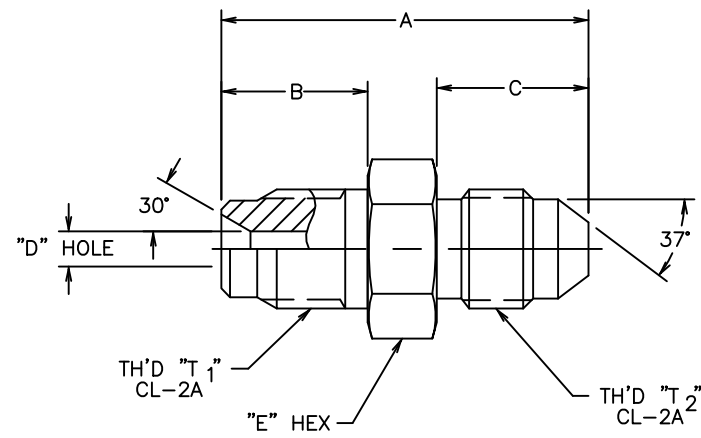


PART NUMBER	TH'D "T" ₁	TH'D "T" ₂	A REF	B REF	C REF	D REF	E REF
FF1353-0404S	7/16-20	7/16-20	1.33	.53	.55	.13	.28


REVISIONS			
REV.	DESCRIPTION	DATE	APPROVED
C	REDRAWN - LAST REV. "B"	8-24-93	EN-F14179 DAI-17511



CONVERTED DRAWING CADAM to AutoCAD 8/98

1. MATERIAL: STEEL.

THE REPRODUCTION, DISTRIBUTION AND UTILIZATION OF THIS DOCUMENT AS WELL AS THE COMMUNICATION OF ITS CONTENTS TO OTHER WITHOUT EXPLICIT AUTHORIZATION IS PROHIBITED. OFFENDERS WILL BE HELD LIABLE FOR THE PAYMENT OF DAMAGES. ALL RIGHT RESERVED IN THE EVENT OF THE GRANT OF A PATENT, UTILITY MODEL OR DESIGN. (PER ISO 16016)

DRAWN R.D.GARRETT	DATE 8-24-93	 FLUID CONVEYANCE DIVISION
CHECKED R.D.GARRETT	DATE 8-24-93	
APPROVED R.D.GARRETT	DATE 8-24-93	DRAWING TITLE
RELEASED EN-F14179	DATE 8-24-93	ADAPTER SPECIAL MALE AUTOMOTIVE HYDRAULIC BRAKE TO SAE 37° MALE FLARE
PROJECT NO. DAI-17511	APC NO.	SIZE (CAGE) CODE NO. DRAWING NUMBER
DESIGN APPROVED		C 01276 FF1353-S
APPROVED		U SHEET

DWG. NO. FF1353-S REV. C