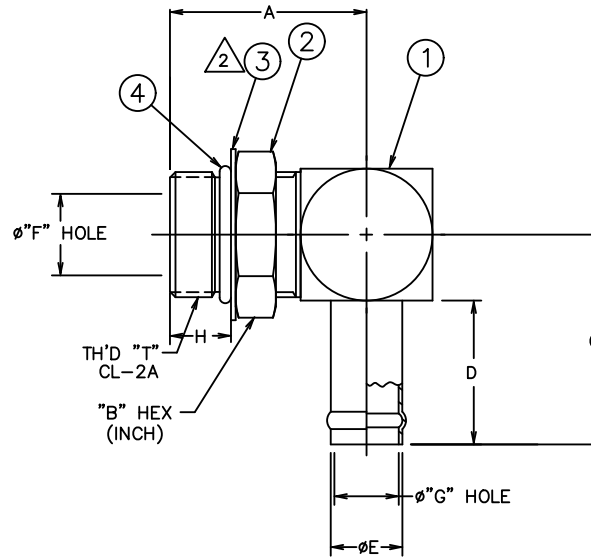


| PART NUMBER | TH'D "T" | A REF | B REF | C REF | D REF | E REF | F REF | G REF | H REF |
|--------------|-----------|----------------|-------|----------------|----------------|---------------|---------------|-------------|---------------|
| FF1167-1212S | 1 1/16-12 | 49.8 [1.96] | 1/4 | 52.3 [2.06] | 35.6 [1.40] | 19.1 [.75] | 15.5 [.61] | 16 [.63] | 16.3 [.64] |

| REVISIONS | | | |
|-----------|--|-----------------------|------------------------|
| REV | DESCRIPTION | DATE | APPROVED |
| E | REDRAWN & REDESIGNED. 1) REMOVED PART NO. FF1167-2420S | 2012-02-14 VPC/DHS | 0066857-ECO DP-1299 |

ⓔ
1



METRIC

ⓔ
1

| | | | | | |
|--------------|--------------|------------|------------|----------|--|
| FF1167-1212S | FF1257-1212S | 210295-12S | 222013-12S | 22617-12 | |
| PART NUMBER | ① ADAPTER | ② JAM NUT | ③ WASHER | ④ O'RING | |

LIST OF MATERIALS

| ITEM NO. | MATERIAL | DRAWN V. CHOUDHARI | CHECKED D. SHEWALE | APPROVED J. SNYDER | RELEASE DATE 2012-02-14 | 0066857-ECO DP-1299 | THIRD ANGLE PROJECTION | SCALE NONE | DIST U | CAGE CODE 01276 | SHEET 2 OF 2 | |
|----------|------------------|--|-----------------------|-----------------------|----------------------------|------------------------|------------------------|---------------|-----------|--------------------|-----------------|--------|
| 1 | STEEL | DRAWING TITLE Danfoss FLUID CONVEYANCE DIVISION ADAPTER 90° ADJUSTABLE O'RING BOSS TO MS33660 TYPE "A" HOSE CONNECTION SIZE A2 DRAWING NUMBER FF1167 REV E | | | | | | | NONE | U | 01276 | 2 OF 2 |
| 2 | STEEL | | | | | | | | | | | |
| 3 | STEEL | | | | | | | | | | | |
| 4 | NITRILE (BUNA-N) | | | | | | | | | | | |

3. SUB ASSEMBLY FF1161-1212S MAY BE SUBSTITUTED FOR ITEMS #1, #2 & #3.

△ WASHER CLINCHED TO FITTING WITH 0.013 [.0005] MAX. CLEARANCE TO AN INTERFERENCE FIT.

1. DIMENSIONS ARE IN MILLIMETERS [INCHES].

THE REPRODUCTION, DISTRIBUTION AND UTILIZATION OF THIS DOCUMENT AS WELL AS THE COMMUNICATION OF ITS CONTENTS TO OTHERS WITHOUT EXPLICIT AUTHORIZATION IS PROHIBITED. OFFENDERS WILL BE HELD LIABLE FOR THE PAYMENT OF DAMAGES. ALL RIGHT RESERVED IN THE EVENT OF THE GRANT OF A PATENT, UTILITY MODEL OR DESIGN. (PER ISO 16016)

DWG. NO. FF1167