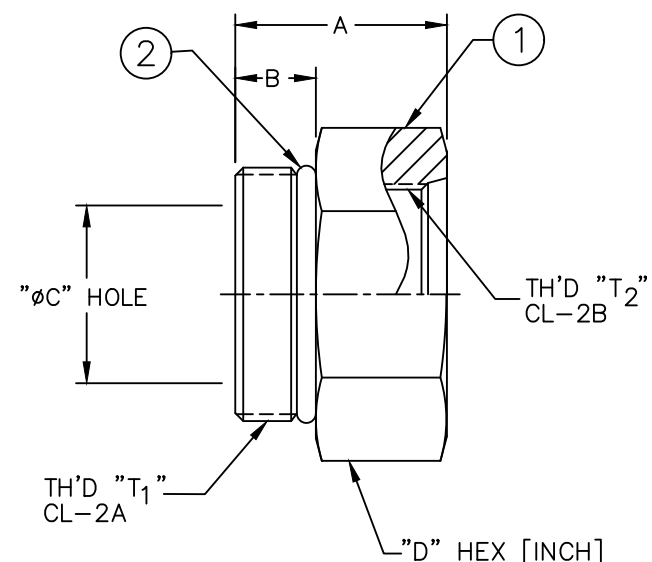


DANFOSS PART NUMBER	WEATHERHEAD PART NUMBER	TH'D "T ₁ "	TH'D "T ₂ "	A REF	B REF	C REF	D REF
FF1010-0304S	-	3/8-24	7/16-20	24.4 [.96]	7.6 [.30]	3 [.12]	11/16
FF1010-0406S	7033X4X6	7/16-20	9/16-18	27.2 [1.07]	9.1 [.36]	4.3 [.17]	7/8
FF1010-0408S	7033X4X8	7/16-20	3/4-16	32 [1.26]	9.1 [.36]	4.3 [.17]	1
FF1010-0506S	-	1/2-20	9/16-18	27.2 [1.07]	9.1 [.36]	5.8 [.23]	7/8
FF1010-0604S	7033X6X4	9/16-18	7/16-20	24.4 [.96]	9.9 [.39]	7.6 [.30]	11/16
FF1010-0608S	7033X6X8	9/16-18	3/4-16	32.8 [1.29]	9.9 [.39]	7.6 [.30]	1
FF1010-0804S	-	3/4-16	7/16-20	28.2 [1.11]	11.2 [.44]	9.9 [.39]	7/8
FF1010-0806S	7033X8X6	3/4-16	9/16-18	26.9 [1.06]	11.2 [.44]	9.9 [.39]	7/8
FF1010-0808S	-	3/4-16	3/4-16	31.8 [1.25]	11.2 [.44]	9.9 [.39]	1
FF1010-1005S	-	7/8-14	1/2-20	26.7 [1.05]	12.7 [.50]	11.4 [.45]	1
FF1010-1006S	-	7/8-14	9/16-18	20.6 [.81]	12.7 [.50]	13 [.51]	1
FF1010-1008S	7033X10X8	7/8-14	3/4-16	31.8 [1.25]	12.7 [.50]	12.2 [.48]	1
FF1010-1010S	7033X10X10	7/8-14	7/8-14	35.1 [1.38]	12.7 [.50]	12.2 [.48]	1 1/8
FF1010-1012S	-	7/8-14	1 1/16-12	42.2 [1.66]	16 [.63]	12.2 [.48]	1 5/16
FF1010-1206S	7033X12X6	1 1/16-12	9/16-18	25.4 [1.00]	15 [.59]	13 [.51]	1 1/4
FF1010-1208S	7033X12X8	1 1/16-12	3/4-16	25.4 [1.00]	15 [.59]	17.5 [.69]	1 1/4
FF1010-1210S	7033X12X10	1 1/16-12	7/8-14	36.6 [1.44]	15 [.59]	15.5 [.61]	1 1/4
FF1010-1216S	7033X12X16	1 1/16-12	1 5/16-12	45.5 [1.79]	15 [.59]	15.5 [.61]	1 1/2
FF1010-1412S	7033X14X12	1 3/16-12	1 1/16-12	43.7 [1.72]	15 [.59]	18.3 [.72]	1 3/8
FF1010-1606S	-	1 5/16-12	9/16-18	25.4 [1.00]	15 [.59]	13 [.51]	1 1/2
FF1010-1608S	7033X16X8	1 5/16-12	3/4-16	25.4 [1.00]	15 [.59]	17.5 [.69]	1 1/2
FF1010-1610S	7033X16X10	1 5/16-12	7/8-14	36.6 [1.44]	15 [.59]	19 [.75]	1 1/2
FF1010-1612S	7033X16X12	1 5/16-12	1 1/16-12	40.4 [1.59]	15 [.59]	21.3 [.84]	1 1/2
FF1010-1620S	-	1 5/16-12	1 5/8-12	45.2 [1.78]	19 [.75]	21.3 [.84]	2
FF1010-2010S	-	1 5/8-12	7/8-14	25.4 [1.00]	15 [.59]	20.6 [.81]	1 7/8
FF1010-2012S	7033X20X12	1 5/8-12	1 1/16-12	25.4 [1.00]	15 [.59]	24.9 [.98]	1 7/8
FF1010-2016S	7033X20X16	1 5/8-12	1 5/16-12	25.4 [1.00]	15 [.59]	31.2 [1.23]	1 7/8
FF1010-2412S	7033X24X12	1 7/8-12	1 1/16-12	39.6 [1.56]	15 [.59]	23.9 [.94]	2 1/8
FF1010-2416S	-	1 7/8-12	1 5/16-12	25.4 [1.00]	15 [.59]	31.2 [1.23]	2 1/8
FF1010-2420S	7033X24X20	1 7/8-12	1 5/8-12	39.6 [1.56]	15 [.59]	33.3 [1.31]	2 1/8
FF1010-3224S	7033X32X24	2 1/2-12	1 7/8-12	36.6 [1.44]	15 [.59]	61.5 [2.42]	2 3/4



1. DIMENSIONS ARE IN MILLIMETERS [INCHES].

REVISIONS			
REV	DESCRIPTION	DATE	APPROVED
S	REDRAWN, UPDATED TO DANFOSS FORMAT & DIMENSION STYLE. 1) ADDED PART #FF1010-0304S.	2011-01-25 VSP/YPK	0052191-ECO RPS 26006
T	1) ADDED PART NUMBERS FF1010-0804S, FF1010-0808S, FF1010-1012S & FF1010-1620S.	2011-05-25 VMS/	0054027-ECO
U	1) ADDED PART NUMBERS FF1010-0406S, FF1010-0608S, FF1010-1010S, FF1010-1412S & FF1010-3224S. 2) ADDED WHD PART NUMBERS.	2012-01-03 ADM/SRH	0065205-ECO
V	CREATED ALTERNATIVE LANGUAGE DRAWING. 1) ADDED ALTERNATIVE LANGUAGE TEXT BLOCK.	2019-12-10 AKG/MBK	CO-0197506

ALTERNATIVE LANGUAGE DRAWING ALL SHEETS MUST BE IDENTICAL AND WITH SAME REVISION LEVEL

METRIC

FF1010-3224S	FF1009-3224S	22617-24			
FF1010-2420S	FF1009-2420S	22617-24			
FF1010-2416S	FF1009-2416S	22617-24			
FF1010-2412S	FF1009-2412S	22617-24			
FF1010-2016S	FF1009-2016S	22617-20			
FF1010-2012S	FF1009-2012S	22617-20			
FF1010-2010S	FF1009-2010S	22617-20			
FF1010-1620S	FF1009-1620S	22617-16			
FF1010-1612S	FF1009-1612S	22617-16			
FF1010-1610S	FF1009-1610S	22617-16			
FF1010-1608S	FF1009-1608S	22617-16			
FF1010-1606S	FF1009-1606S	22617-16			
FF1010-1412S	FF1009-1412S	22617-12			
FF1010-1216S	FF1009-1216S	22617-12			
FF1010-1210S	FF1009-1210S	22617-12			
FF1010-1208S	FF1009-1208S	22617-12			
FF1010-1206S	FF1009-1206S	22617-12			
FF1010-1012S	FF1009-1012S	22617-10			
FF1010-1010S	FF1009-1010S	22617-10			
FF1010-1008S	FF1009-1008S	22617-10			
FF1010-1006S	FF1009-1006S	22617-10			
FF1010-1005S	FF1009-1005S	22617-10			
FF1010-0808S	FF1009-0808S	22617-8			
FF1010-0806S	FF1009-0806S	22617-8			
FF1010-0804S	FF1009-0804S	22617-8			
FF1010-0608S	FF1009-0608S	22617-8			
FF1010-0604S	FF1009-0604S	22617-6			
FF1010-0506S	FF1009-0506S	22617-5			
FF1010-0408S	FF1009-0408S	22617-4			
FF1010-0406S	FF1009-0406S	22617-6			
FF1010-0304S	FF1009-0304S	22617-3			
AQP PART NUMBER	① ADAPTER	② O'RING			

LIST OF MATERIALS

ITEM NO.	MATERIAL	DRAWN V. PATIL CHECKED Y. KULKARNI APPROVED J. LUGINBILL RELEASE DATE 2011-01-25 0052191-ECO RPS 26006 THIRD ANGLE PROJECTION	SCALE A2	DRAWING NUMBER FF1010	REV V
1	STEEL		NONE <td></td> <td></td>		
2	NITRILE (BUNA-N)				

Danfoss FLUID CONVEYANCE DIVISION

DRAWING TITLE
ADAPTER
SAE O'RING BOSS REDUCER BUSHING

SIZE: A2
DRAWING NUMBER: FF1010
REV: V

SCALE: NONE | DIST: U | CAGE CODE: 01276 | SHEET: 1

THE REPRODUCTION, DISTRIBUTION AND UTILIZATION OF THIS DOCUMENT AS WELL AS THE COMMUNICATION OF ITS CONTENTS TO OTHERS WITHOUT EXPLICIT AUTHORIZATION IS PROHIBITED. OFFENDERS WILL BE HELD LIABLE FOR THE PAYMENT OF DAMAGES. ALL RIGHT RESERVED IN THE EVENT OF THE GRANT OF A PATENT, UTILITY MODEL OR DESIGN. (PER ISO 16016)