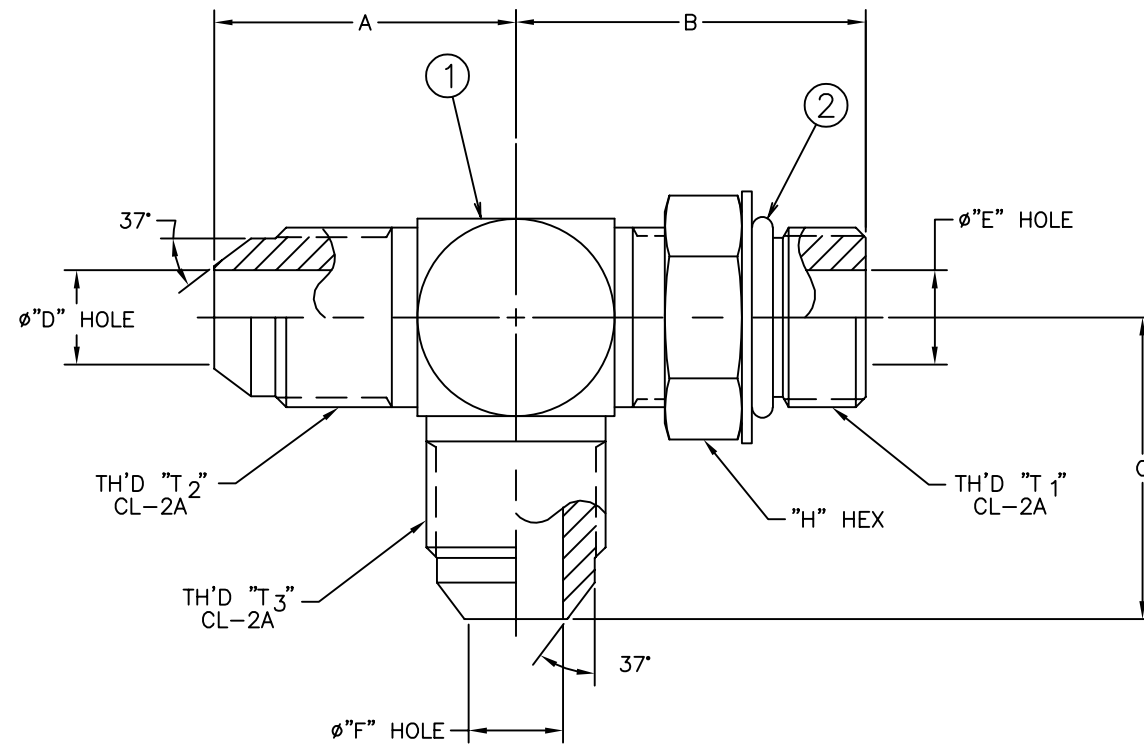


AEROQUIP PART NUMBER	WEATHERHEAD PART NUMBER	TH'D "T <sub>1</sub> "	TH'D "T <sub>2</sub> "	TH'D "T <sub>3</sub> "	A REF	B REF	C REF	D REF	E REF	F REF	H [INCH]
203005-5-5S	C5716X5	1/2-20	1/2-20	1/2-20	24.1 [.95]	28.7 [1.13]	24.1 [.95]	5.8 [.23]	5.8 [.23]	5.8 [.23]	[5/8]
203005-6-4-4S	C5716X4X4X6	9/16-18	7/16-20	7/16-20	26.6 [1.05]	31.8 [1.25]	26.6 [1.05]	4.4 [.17]	7.5 [.30]	4.4 [.17]	[11/16]

REVISIONS			
REV	DESCRIPTION	DATE	APPROVED
AD	REDRAWN, UPDATED TO EATON FORMAT & DIMENSION STYLE. 1) ADDED PART #203005-6-4-4S, 203005-6-6S, 203005-8-8S AND 203005-16-16S.	2009-09-10 SJM/SRH	0010576-ECO DP-1299
AE	1) REMOVED PART # 203005-12-8-8S. 2) ADDED WEATHERHEAD PARTS.	2009-12-28 ADM/SRH	0038341-ECO
AF	1) REMOVED PARTS #203005-4-4S, 203005-6-6S, 203005-8-8S, 203005-16-16S AND 203005-20-20S.	2014-11-28 HLV	0101172-ECO

AD AE AF AE



AE AF AE

WEATHERHEAD PART NUMBER	AEROQUIP PART NUMBER	① ADAPTER BODY	② O'RING
C5716X4X4X6	203005-6-4-4S	203005-1-6-4-4S	22617-6
C5716X5	203005-5-5S	203005-1-5-5S	22617-5

LIST OF MATERIALS

ITEM NO.	MATERIAL	DRAWN	INDUSTRIAL SECTOR
1	STEEL	S. MANE	HYDRAULICS GROUP,
2	NITRILE (BUNA-N)	S. HASABE	FLUID CONVEYANCE PRODUCTS,
		J. LUGINBILL	MAUMEE, OHIO U.S.A.
		RELEASE DATE	DRAWING TITLE
		2009-09-10	ADAPTER
		0010576-ECO	SAE 37° FLARE - STRAIGHT THREAD RUN TEE
		DP-1299	SIZE
		THIRD ANGLE PROJECTION	A2
			DRAWING NUMBER
			203005-S
			REV
			AF
			SCALE
			NONE
			DIST
			U
			CAGE CODE
			01276
			SHEET
			1 OF 2

METRIC

1. ALL DIMENSIONS ARE IN MILLIMETERS [INCHES].

EATON CORPORATION - CONFIDENTIAL AND PROPRIETARY NOTICE TO PERSONS RECEIVING THIS DOCUMENT AND/OR TECHNICAL INFORMATION THIS DOCUMENT, INCLUDING THE DRAWING AND INFORMATION CONTAINED THEREON, IS CONFIDENTIAL AND IS THE EXCLUSIVE PROPERTY OF EATON CORPORATION, AND IS HEREBY SO LOANED AND SUBJECT TO REGAL BY EATON CORPORATION. NO PART OF THIS DOCUMENT, INCLUDING THE DRAWING AND INFORMATION CONTAINED THEREON, IS TO BE REPRODUCED, COPIED, OR TRANSMITTED IN ANY MANNER WITHOUT THE WRITTEN PERMISSION OF EATON CORPORATION. ANY UNAUTHORIZED REPRODUCTION OR TRANSMISSION OF THIS DOCUMENT WITHOUT THE WRITTEN PERMISSION OF EATON CORPORATION IS PROHIBITED. THIS NOTICE SHALL REMAIN IN FULL FORCE AND EFFECT IN THE EVENT OF ANY UNAUTHORIZED REPRODUCTION OR TRANSMISSION OF THIS DOCUMENT. © 2009 Eaton Corporation - All Rights Reserved.