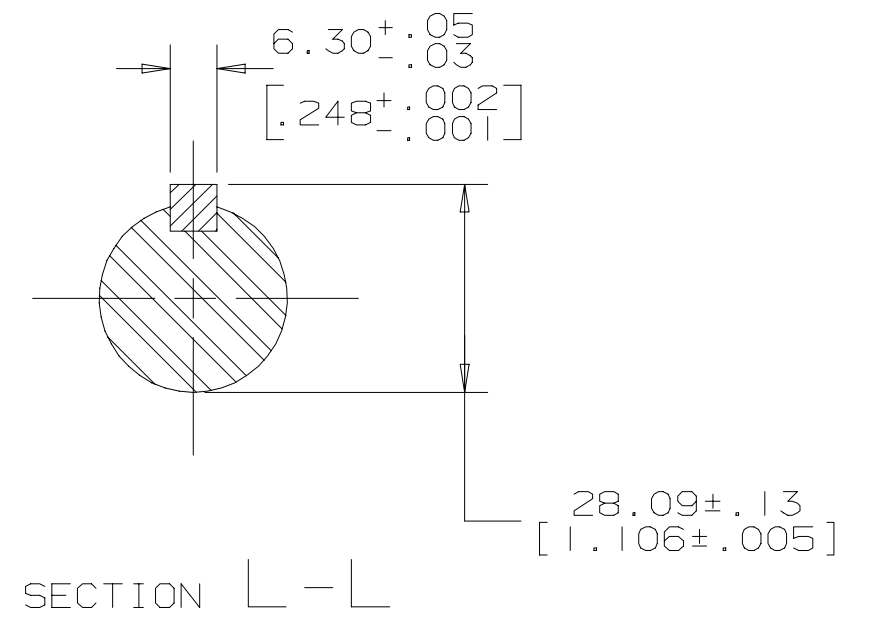
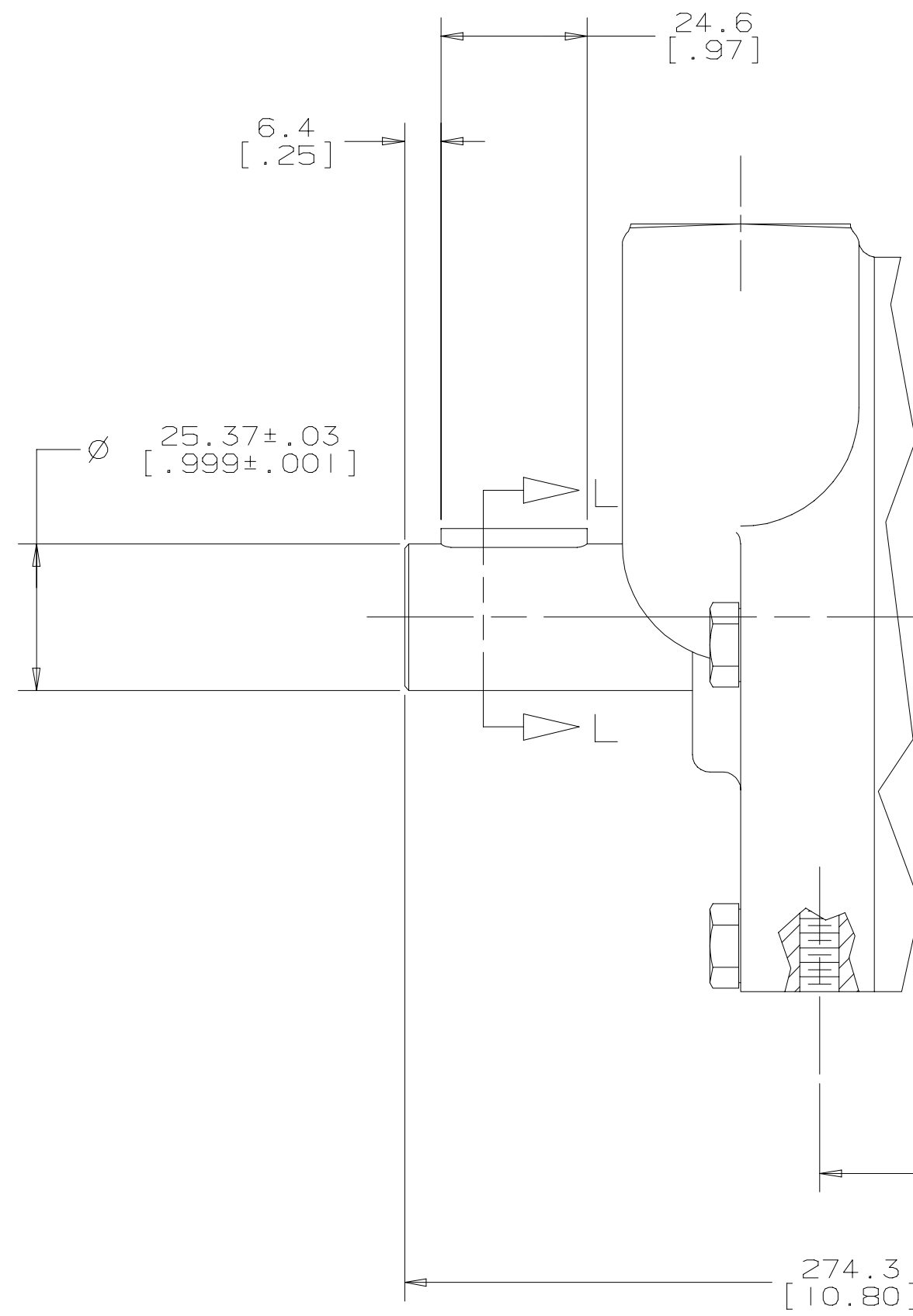
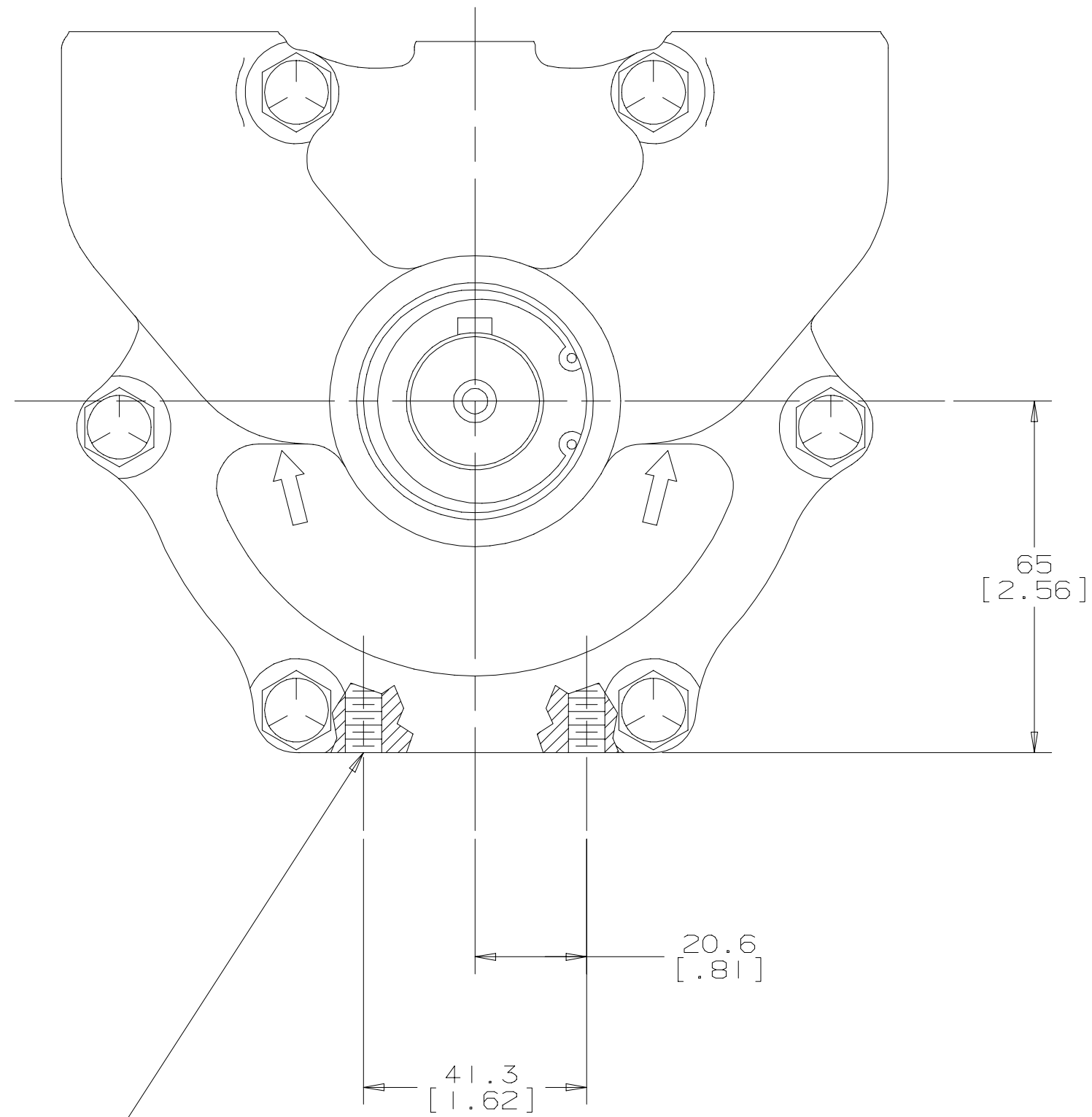


SYM	REVISION	BY	DATE	ECN
A	ENGINEERING RELEASE	MS	3/11/92	21468



UNLESS OTHERWISE SPECIFIED ALL DIMENSIONS ARE IN INCHES <input type="checkbox"/> MILLIMETERS <input checked="" type="checkbox"/> TOLERANCES .x ± REF .xx ± REF .xxx ± REF < ± UNSPECIFIED RADII ARE _____ UNSPECIFIED DRAFT ANGLES ARE _____ DRAWING FORMAT CADD <input checked="" type="checkbox"/> MANUAL <input type="checkbox"/>	DRAWING BASED ON ANSI Y14.5M-1982	
	THE REPRODUCTION, DISTRIBUTION, AND UTILIZATION OF THIS DOCUMENT, AS WELL AS THE COMMUNICATION OF ITS CONTENTS TO OTHERS WITHOUT EXPLICIT AUTHORIZATION IS PROHIBITED. OFFENDERS WILL BE HELD LIABLE FOR THE PAYMENT OF DAMAGES. ALL RIGHTS RESERVED IN THE EVENT OF THE GRANT OF A PATENT, UTILITY MODEL, OR DESIGN. (PER ISO 16016)	
DRAWN BY/DATE M. STOICK 9-16-91	MATERIAL/HEAT TREAT _____	
CHECKED BY/DATE _____	TITLE AUXILIARY MOUNT INSTALLATION	
ENGRG BY/DATE METALLURGY BY/DATE _____	NUMBER A-293-007	
THIRD ANGLE PROJECTION DO NOT SCALE	SCALE 1/1	SHEET 1 OF 1

G HK

