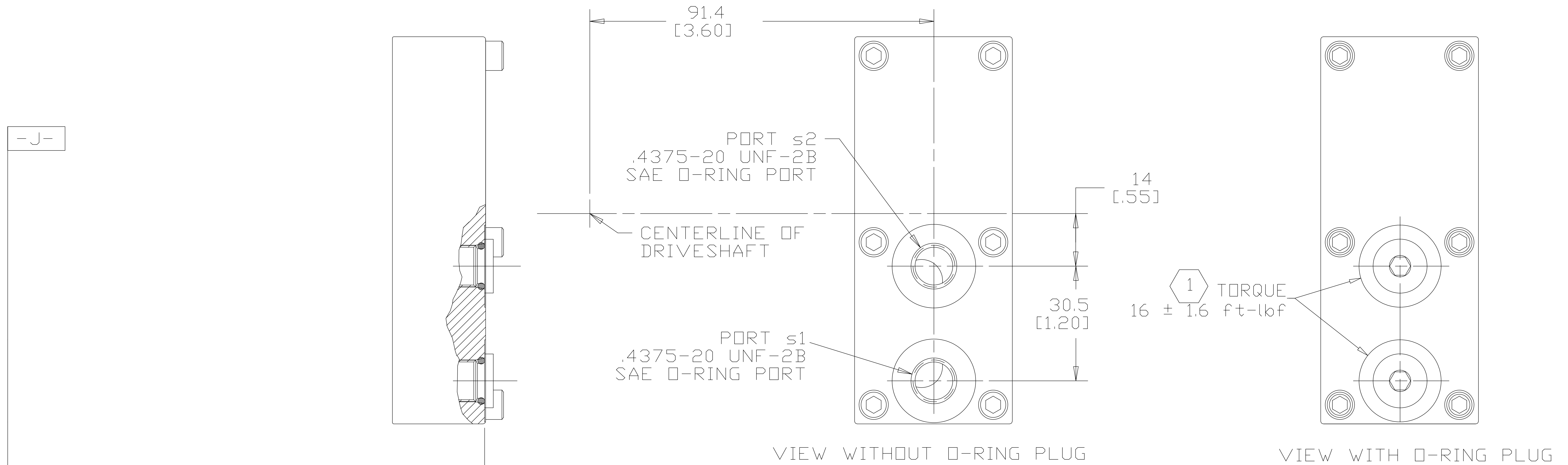
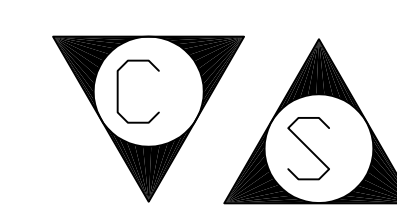


REV	DESCRIPTION	BY	CHK	DATE	ECN / MPS
A	ENGINEERING RELEASE	BRT		6-29-94	25728
E	REVISED	BPU	JEM	08-10-17	CR-0081055



VIEW WITHOUT O-RING PLUG

VIEW WITH O-RING PLUG




REVIEWED FOR CLASSIFICATION PER ESP-042

126.7
[4.99]

NOTE:

1 TORQUE APPLIES TO LUBRICATED THREADS ONLY

UNLESS OTHERWISE SPECIFIED ALL DIMENSIONS ARE IN INCHES <input type="checkbox"/> MILLIMETERS (INCHES) <input checked="" type="checkbox"/>	DRAWING BASED ON ASME Y14.5-2009	
	<p>THE REPRODUCTION, DISTRIBUTION, AND UTILIZATION OF THIS DOCUMENT, AS WELL AS THE COMMUNICATION OF ITS CONTENTS TO OTHERS WITHOUT EXPLICIT AUTHORIZATION IS PROHIBITED. OFFENDERS WILL BE HELD LIABLE FOR THE PAYMENT OF DAMAGES. ALL RIGHTS RESERVED IN THE EVENT OF THE GRANT OF A PATENT, UTILITY MODEL, OR DESIGN. (PER ISO 16016)</p> 	
TOLERANCES .X ± ---- .XX ± REF .XXX ± ONLY ∠ ± ----	DRAWN BRT BY/DATE 07-08-94	MATERIAL/HEAT TREAT
UNSPECIFIED RADII ARE: ----	CHECKED BDH BY/DATE 08-11-95	TITLE PORT PLATE INSTALLATION
UNSPECIFIED DRAFT ANGLES ARE: ----	ENGRG KDS BY/DATE 08-18-95	
B SIZE	THIRD ANGLE PROJECTION DO NOT SCALE	MICROINCHES <input checked="" type="checkbox"/> MICROMETERS (MICROINCHES) <input type="checkbox"/> ARITHMETICAL AVERAGE <input checked="" type="checkbox"/>
		NUMBER A-387-015
		SCALE 1/1 SHEET 1 OF 1