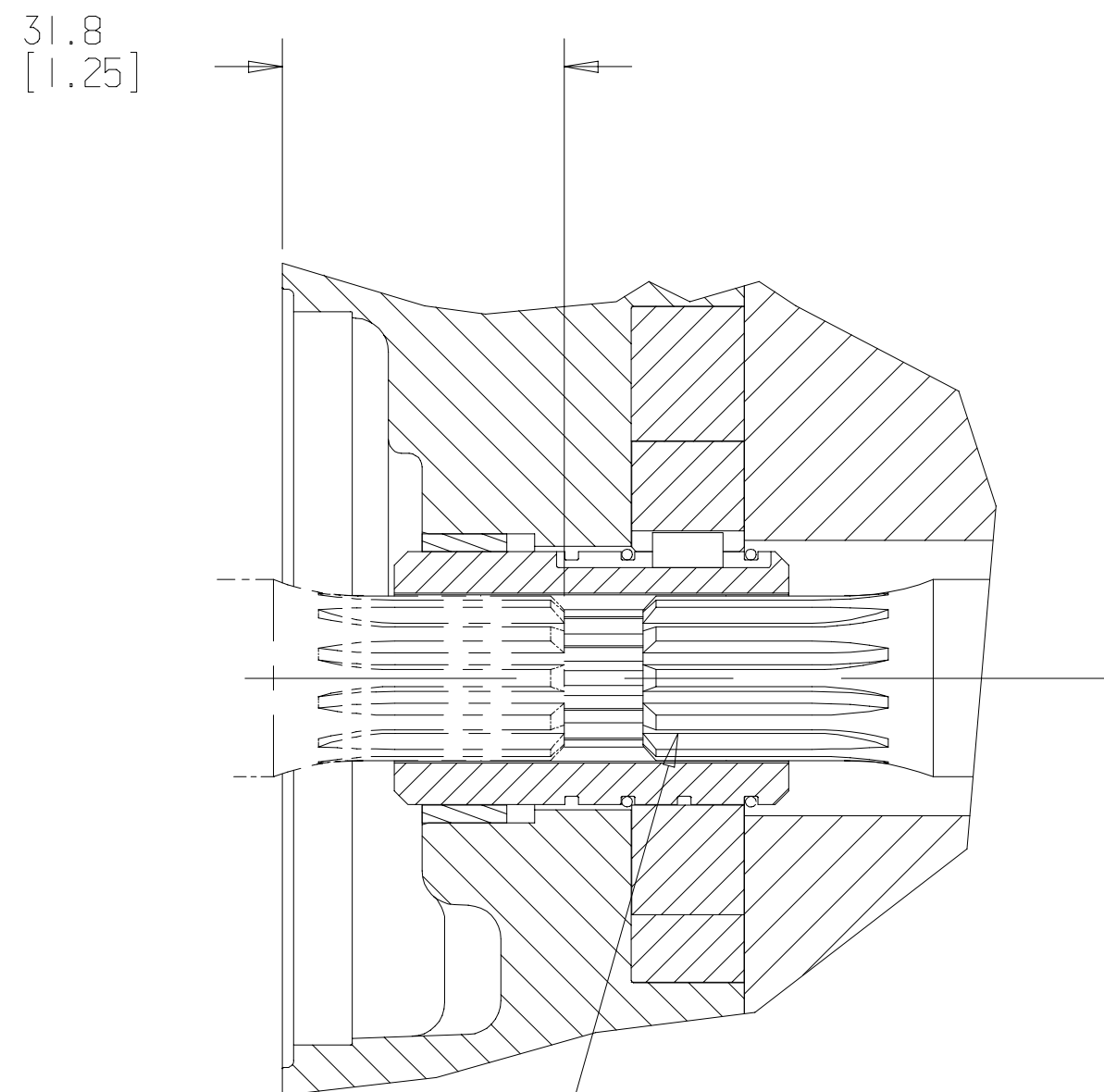

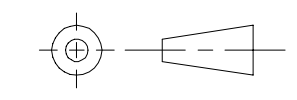


SYM	REVISION	BY	DATE	ECN
A	ENGINEERING RELEASE	IJH	3/11/91	21468



11 TOOTH
16/32 INVOLUTE
FLAT ROOT SIDE
CLASS 1 SIDE FIT
SPLINE

G S H K

UNLESS OTHERWISE SPECIFIED ALL DIMENSIONS ARE IN INCHES <input type="checkbox"/> MILLIMETERS <input checked="" type="checkbox"/>		DRAWING BASED ON ANSI Y14.5M-1982	
TOLERANCES .X ± .XX ± REF ONLY .XXX ± ∠ ±		<p>THE REPRODUCTION, DISTRIBUTION, AND UTILIZATION OF THIS DOCUMENT, AS WELL AS THE COMMUNICATION OF ITS CONTENTS TO OTHERS WITHOUT EXPLICIT AUTHORIZATION IS PROHIBITED. OFFENDERS WILL BE HELD LIABLE FOR THE PAYMENT OF DAMAGES. ALL RIGHTS RESERVED IN THE EVENT OF THE GRANT OF A PATENT, UTILITY MODEL, OR DESIGN. (PER ISO 16016)</p> 	
UNSPECIFIED RADII ARE		DRAWN BY/DATE IJH 10-21-91 CHECKED BY/DATE ENGRG BY/DATE METALLURGY BY/DATE	MATERIAL/HEAT TREAT
UNSPECIFIED DRAFT ANGLES ARE		TITLE OUTPUT SHAFT INSTALLATION	
DRAWING FORMAT CADD <input checked="" type="checkbox"/> MANUAL <input type="checkbox"/>		 THIRD ANGLE PROJECTION	NUMBER A-448-018
		DO NOT SCALE	SCALE 1/1 SHEET 1 OF 1