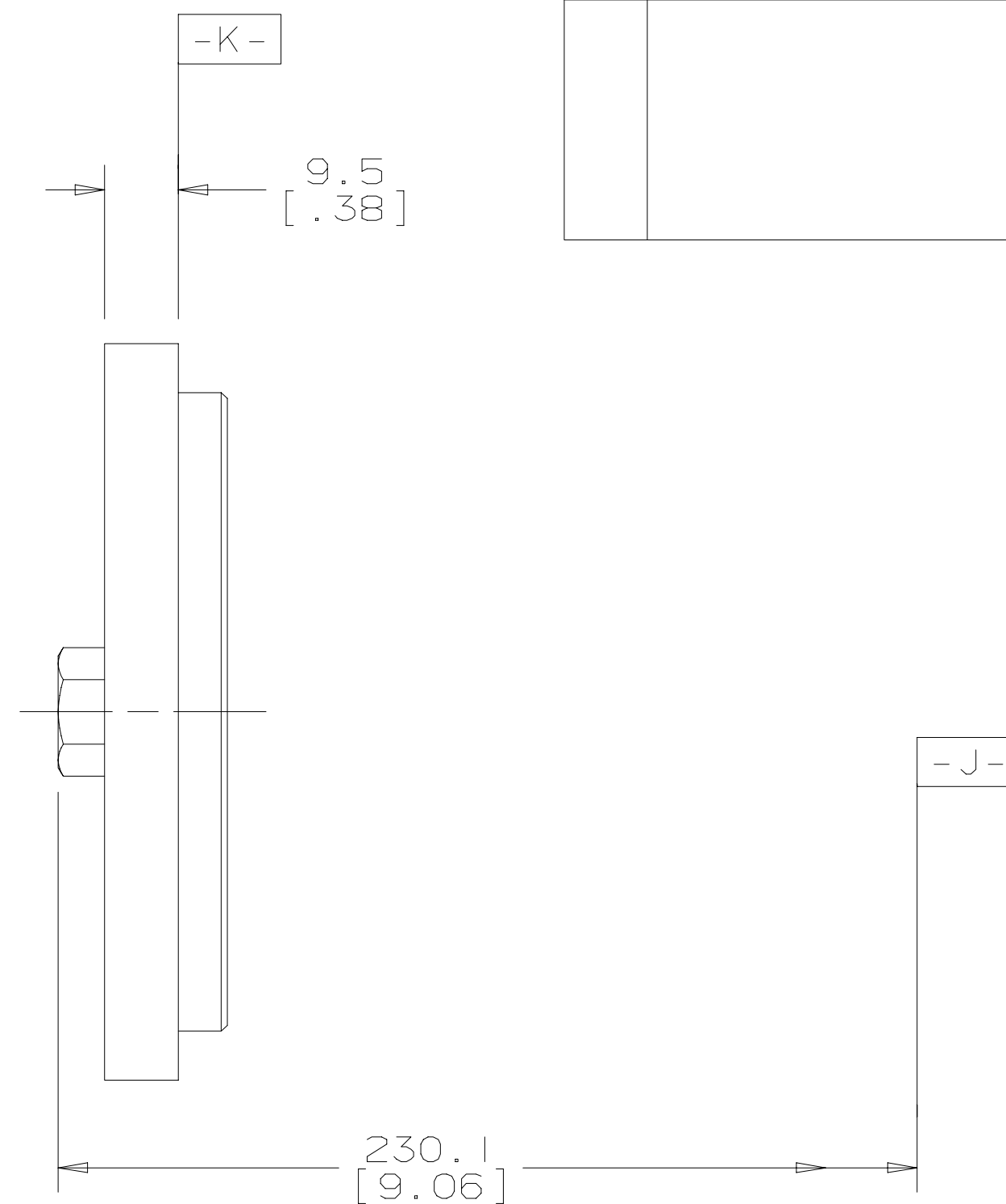
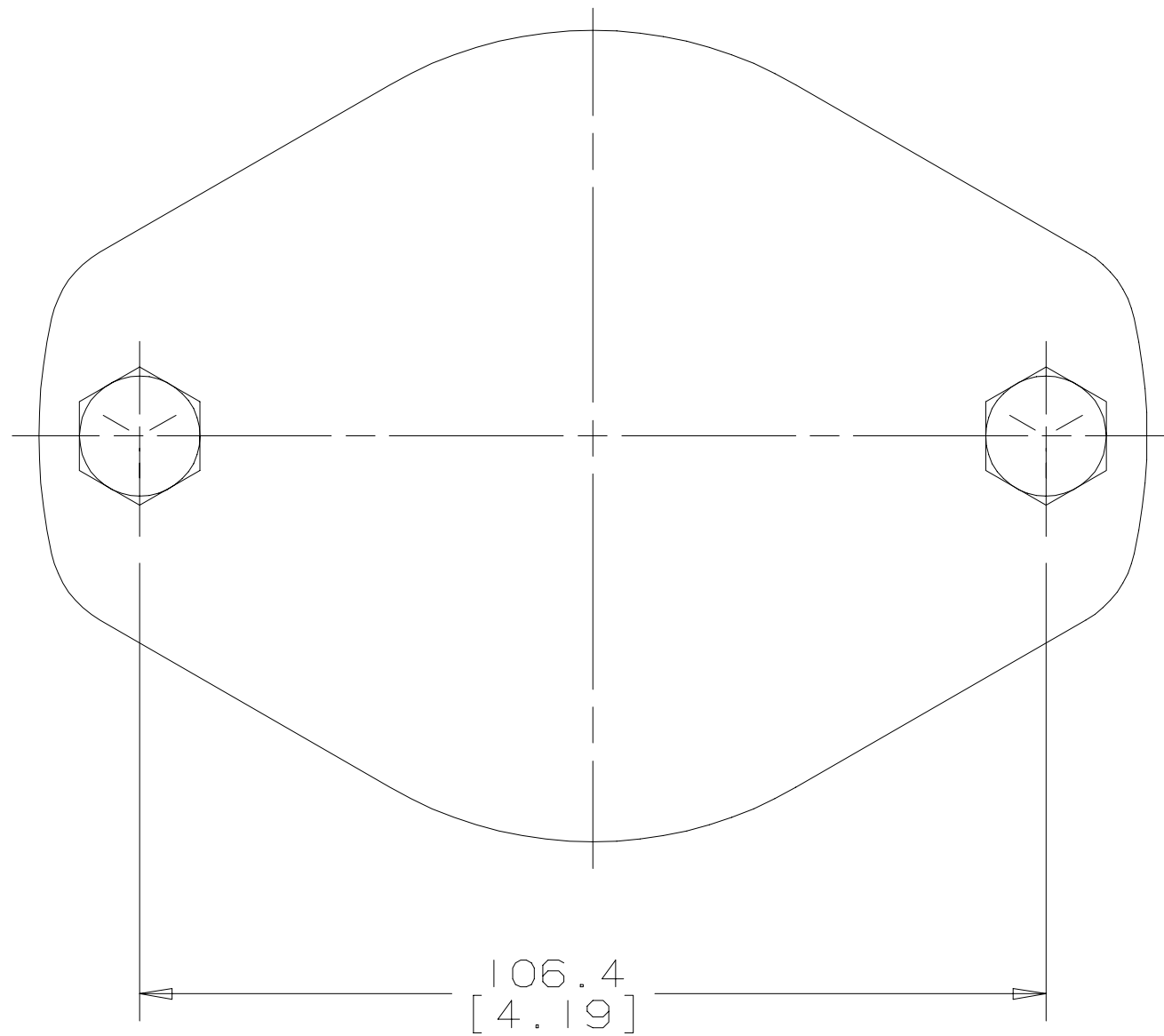
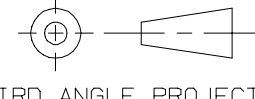


SYM	REVISION	BY	DATE	ECN
A	ENGINEERING RELEASE	RLM	3/11/92	21468



G HK

UNLESS OTHERWISE SPECIFIED ALL DIMENSIONS ARE IN INCHES <input type="checkbox"/> MILLIMETERS [INCHES] <input checked="" type="checkbox"/>	DRAWING BASED ON ANSI Y14.5M-1982	
	THE REPRODUCTION, DISTRIBUTION, AND UTILIZATION OF THIS DOCUMENT, AS WELL AS THE COMMUNICATION OF ITS CONTENTS TO OTHERS WITHOUT EXPLICIT AUTHORIZATION IS PROHIBITED. OFFENDERS WILL BE HELD LIABLE FOR THE PAYMENT OF DAMAGES. ALL RIGHTS RESERVED IN THE EVENT OF THE GRANT OF A PATENT, UTILITY MODEL, OR DESIGN. (PER ISO 16016)	
TOLERANCES .x ± .xx ± REF .xxx ± ONLY < ±	DRAWN RLM BY/DATE 10/10/91	MATERIAL/HEAT TREAT
	CHECKED BY/DATE	
UNSPECIFIED RADII ARE _____	ENGRG BY/DATE METALLURGY BY/DATE	TITLE COVER PLATE INSTALLATION
UNSPECIFIED DRAFT ANGLES ARE _____	 THIRD ANGLE PROJECTION	NUMBER A-470-001
DRAWING FORMAT CADD <input checked="" type="checkbox"/> MANUAL <input type="checkbox"/>	DO NOT SCALE	SCALE 1/1 SHEET 1 OF 1

