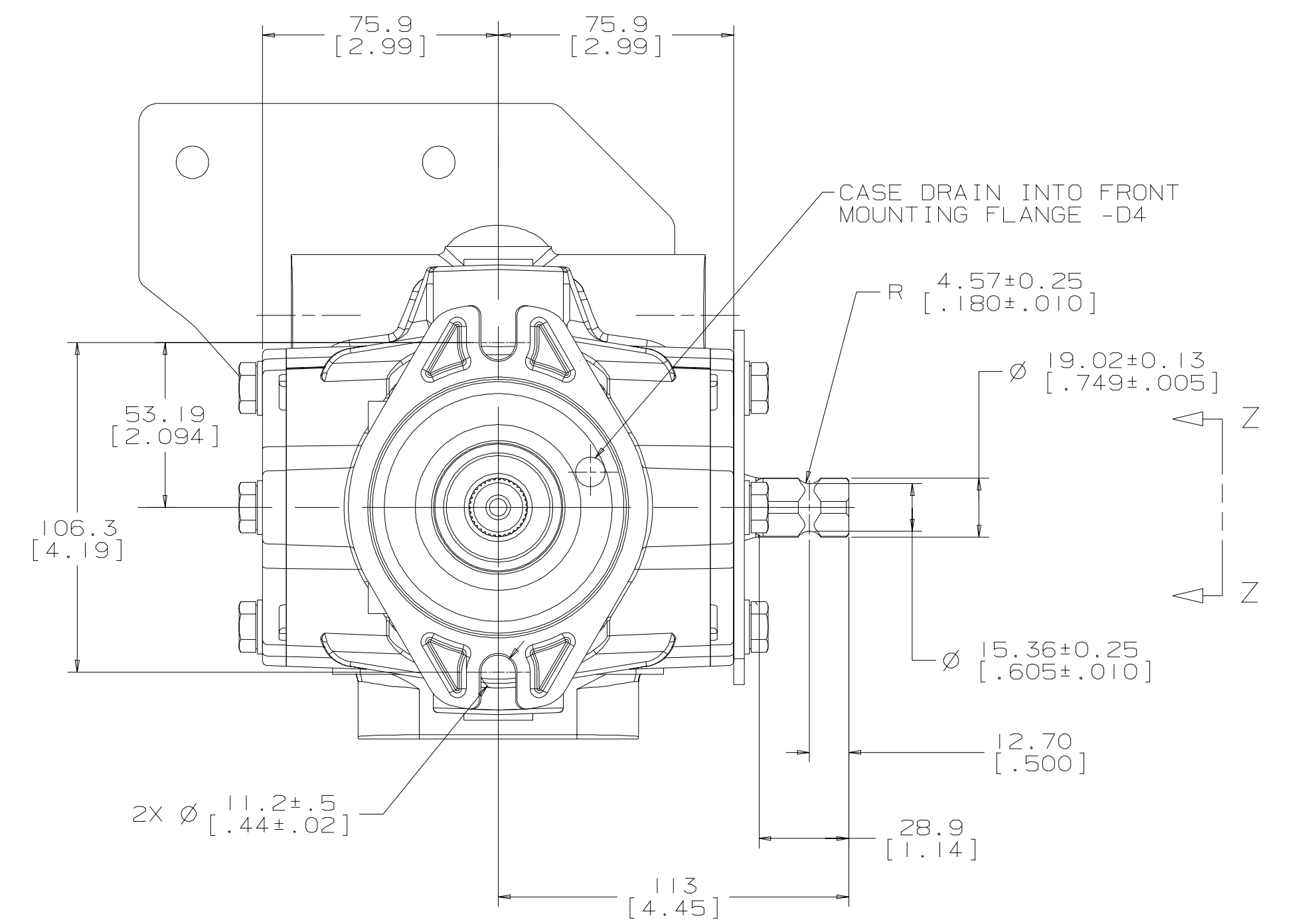
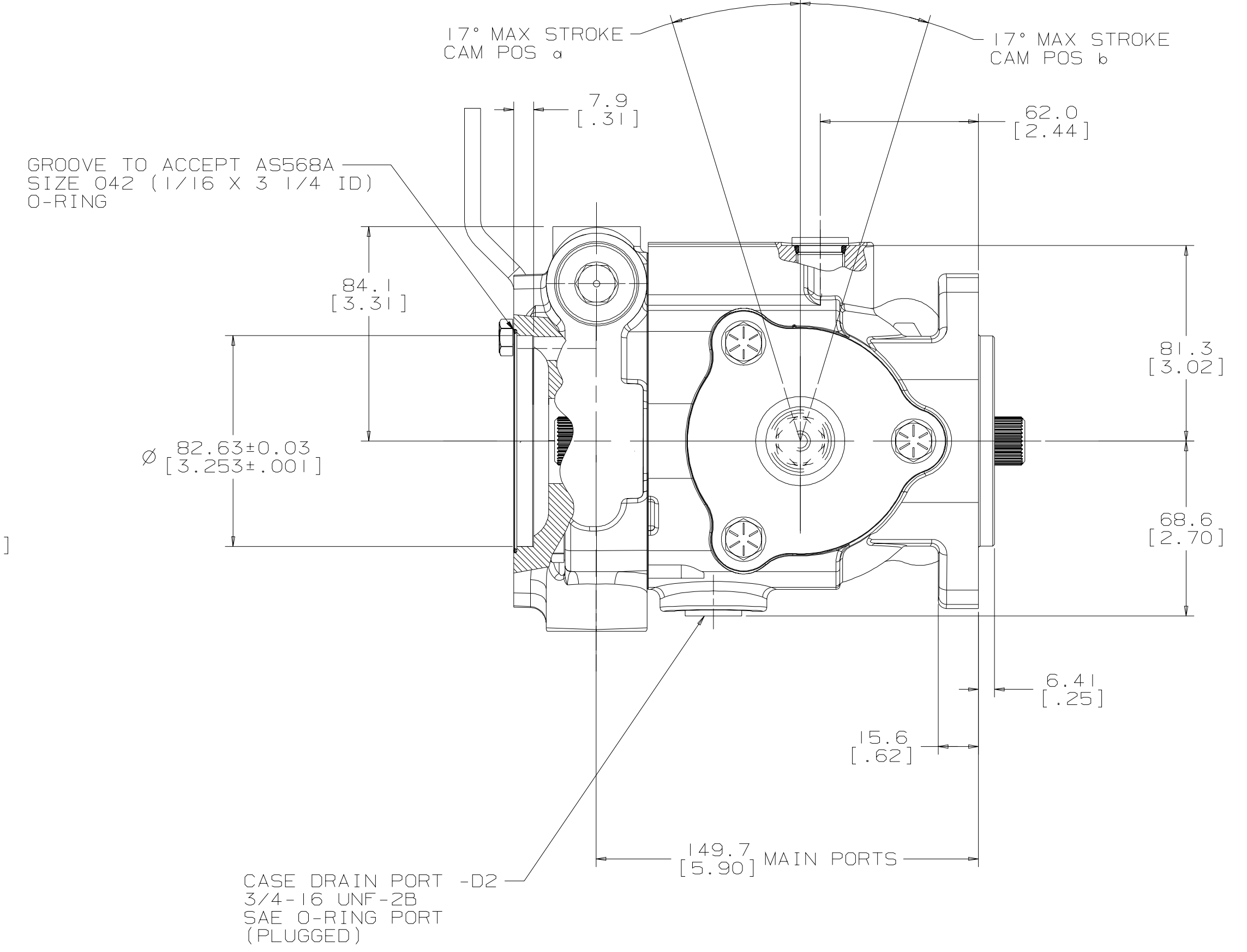
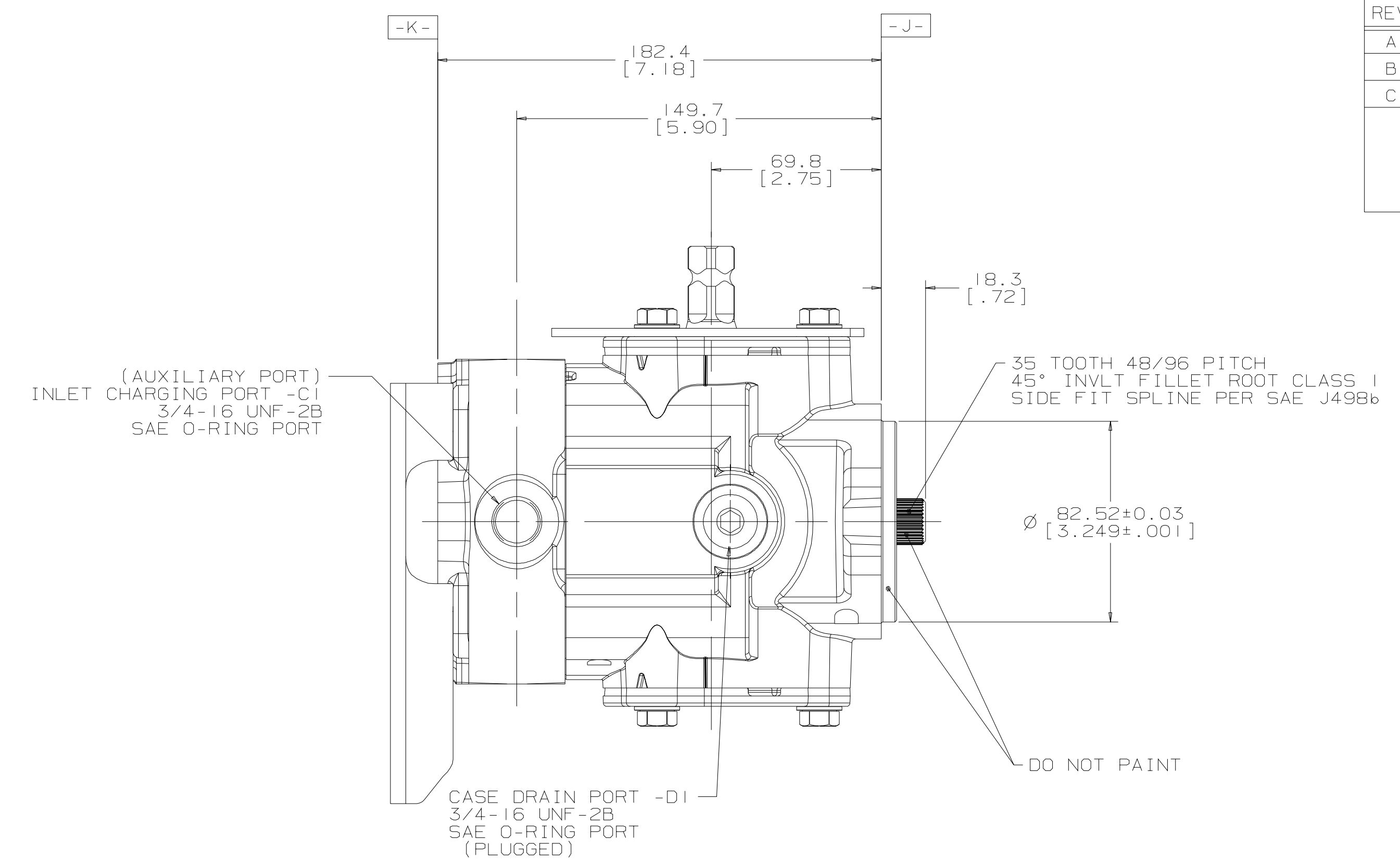
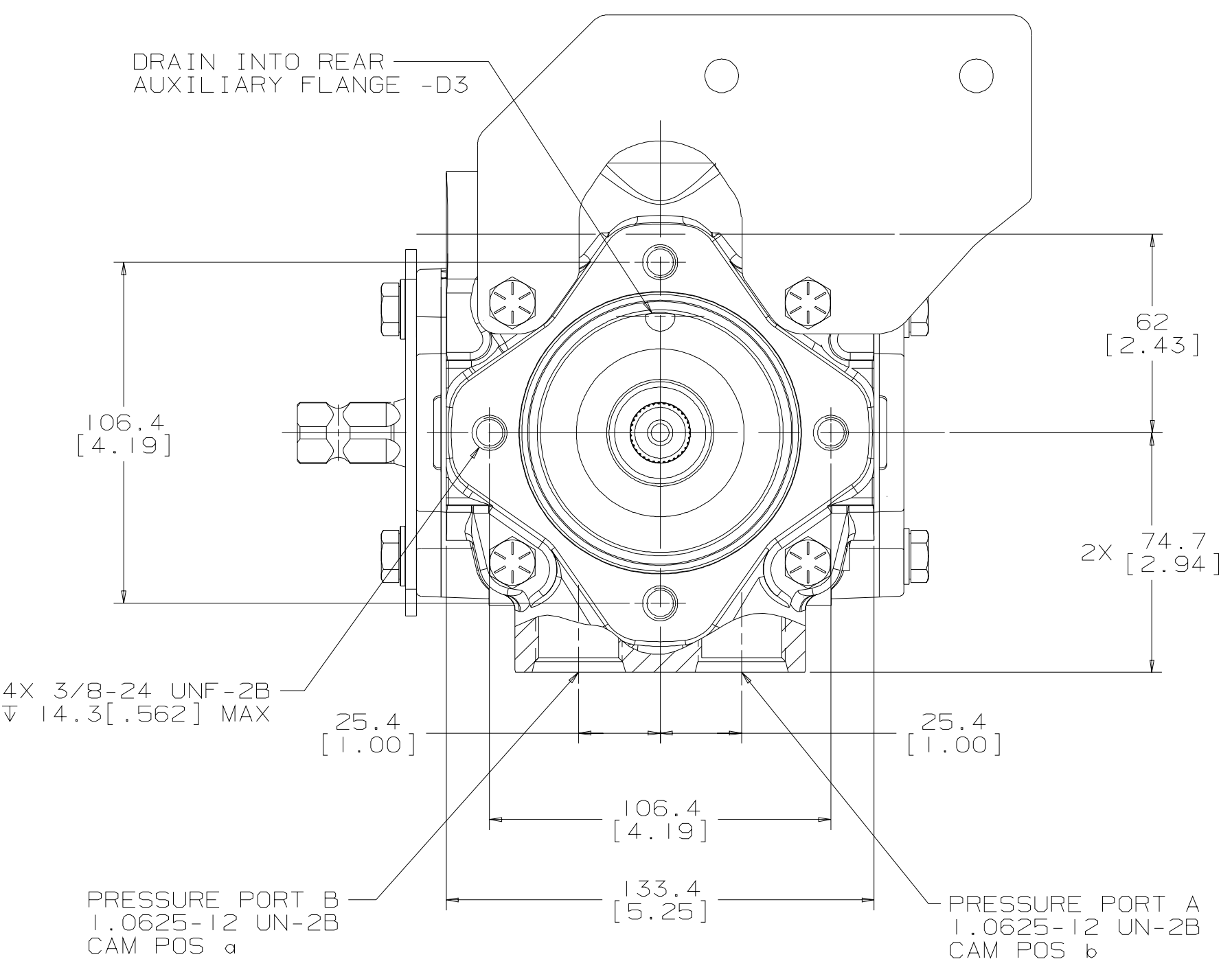
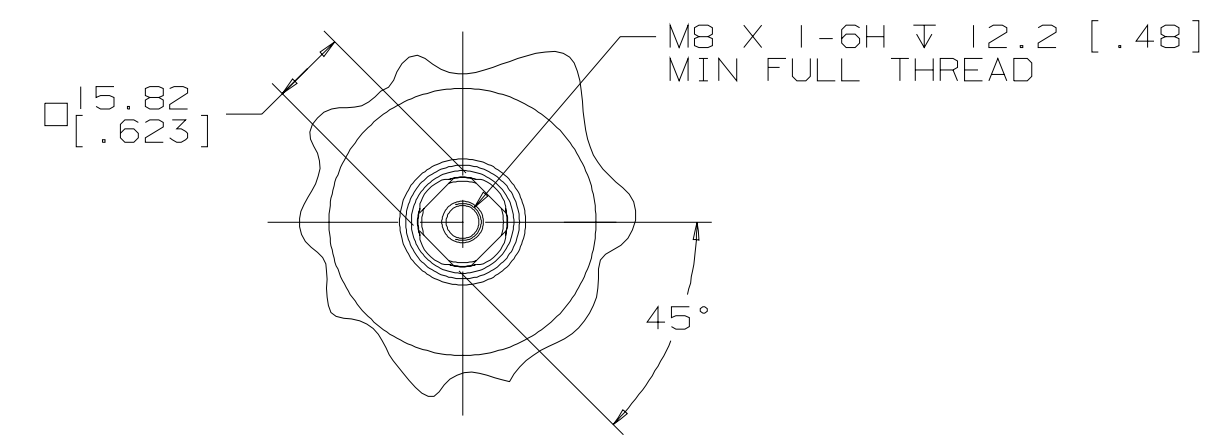


NOTE
 1 UNIT MUST BE INSTALLED IN SUCH A POSITION THAT THE CASE DRAIN ASSURES AN OIL LEVEL AT OR ABOVE UNIT CENTERLINE. OIL LEVEL MUST BE AT CENTERLINE OR ABOVE BEFORE STARTING



REV	DESCRIPTION	BY	CHK	DATE	ECN
A	RELEASE FOR SAMPLES AND ESTIMATE	DLL	SSW	10-26-05	M65789
B	ENGINEERING RELEASE	SKK	TMS	06-08-06	M67057
C	REVISED PICTORIALY AND UPDATED TO MATCH PART LIST	SKK	SKK	01-21-08	M72071

REVIEWED FOR CLASSIFICATION PER ESP-042

UNLESS OTHERWISE SPECIFIED ALL DIMENSIONS ARE IN INCHES [MILLIMETERS ARE IN INCHES]

TOLERANCES
 .XX ± ----
 .XXX ± ----
 < ± ----

UNSPECIFIED RADII ARE ----
 UNSPECIFIED DRAFT ANGLES ARE ----
 DRAWING FORMAT CADD [X] MANUAL []

DRAWING BASED ON ANSI Y14.5M-1982

NOTICE TO PERSONS RECEIVING THIS DRAWING AND / OR TECHNICAL INFORMATION
 Eaton Corporation claims proprietary rights in the information disclosed hereon. This document is issued in confidence and is not to be reproduced or used to manufacture anything shown hereon without the written permission of the Eaton Corporation.

DRAWN BY/DATE DLL 11-15-05
 CHECKED BY/DATE SSW 11-18-05
 ENGR BY/DATE SSW 11-18-05
 METALLURGY ---- BY/DATE

TITLE
 SERIES 160 PISTON PUMP INSTALLATION

NUMBER
 70160-LCB-03

SCALE 1/1 SHEET 1 OF 2

ARITHMETICAL AVERAGE

