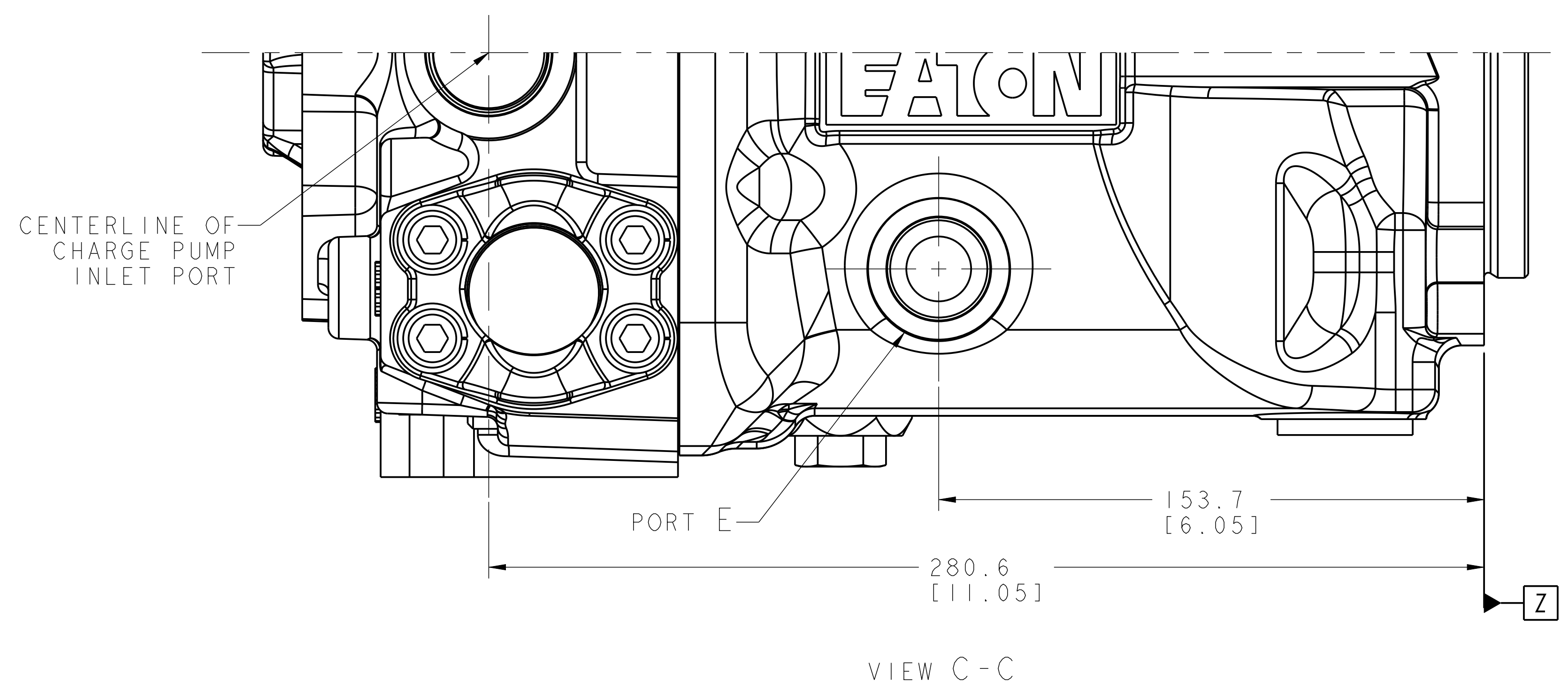
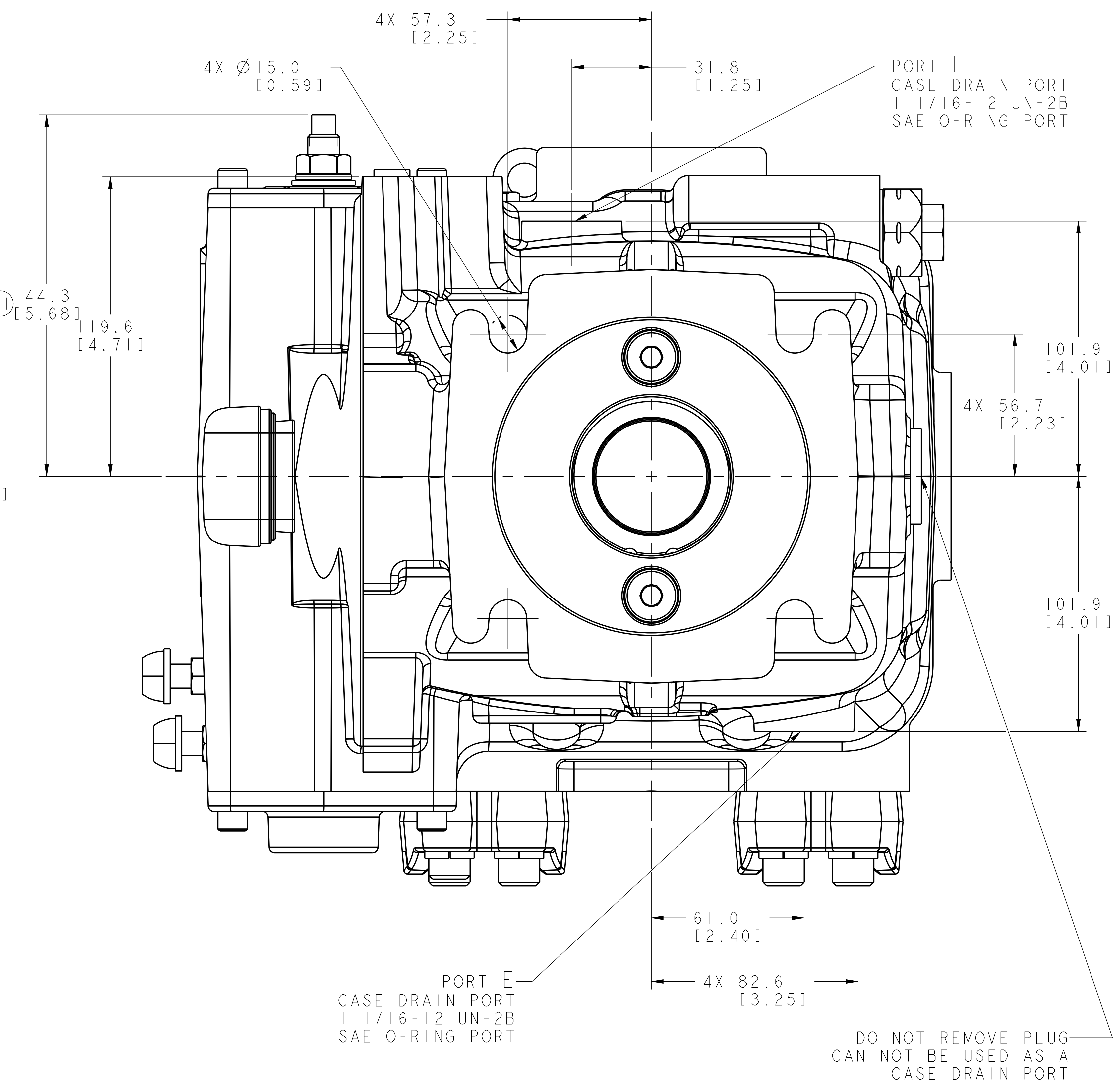
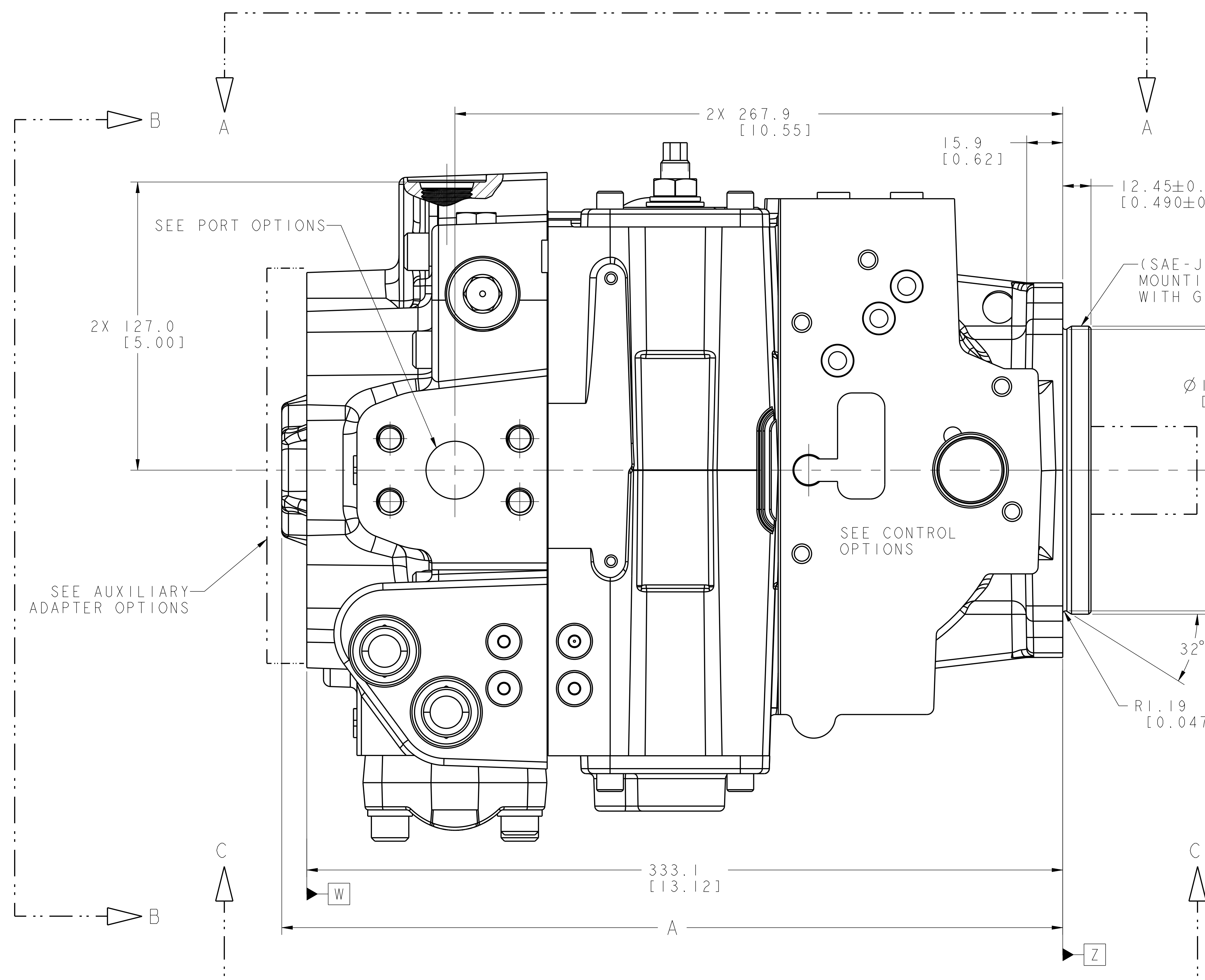


| CHARGE PUMP DISPLACEMENT                           | DIM A         |
|--|---------------|
| 13.9 cm <sup>3</sup> /r [ .85 in <sup>3</sup> /r ] | 334.5 [13.17] |
| 17.4 cm <sup>3</sup> /r [1.06 in <sup>3</sup> /r ] | 338.1 [13.31] |
| 21.0 cm <sup>3</sup> /r [1.28 in <sup>3</sup> /r ] | 341.6 [13.45] |
| 27.9 cm <sup>3</sup> /r [1.70 in <sup>3</sup> /r ] | 348.5 [13.72] |
| 34.7 cm <sup>3</sup> /r [2.12 in <sup>3</sup> /r ] | 355.3 [13.99] |

| REV | DESCRIPTION  | BY  | CHK | DATE     | ECN / MPS  |
|-----|--|-----|-----|----------|------------|
| A   | RELEASE FOR SAMPLES AND ESTIMATE   | JJV |     | 01-09-96 | M14643     |
| E   | ENGINEERING RELEASE  | JJV |     | 03-21-97 | 29469      |
| F   | SHEET 1 (8E) ADDED DIMENSION 2X 114.6/[4.51]   | DRH | JED | 02-11-98 | 30716      |
| G   | -1) REVISED PICTORIALY LPRV -2) SHEET 2 (3F) ADDED 118.1/[4.65] -3) (2D) REVISED PICTORIALY SHAFT END VIEW | EMR | JED | 07-21-98 | 31498      |
| H   | REVISED PICTORIALY HOUSING   | EMR | JED | 11-25-98 | 32115      |
| J   | SHEET 1 (4B) REVISED MATING CONNECTOR CALL-OUT   | JMS | JMS | 09-30-03 | 44352      |
| K   | REVISED AND REDRAWN IN PRO-E   | KCS | PSG | 09-03-19 | 0114112    |
| L   | REVISED  | VRS | KCS | 03-17-20 | M109101A   |
| M   | SHEET 1 -1)(4F) DIM WAS 140.5[5.53], SHEET 2 -2)(2C) ADDED DIM 198.6[7.82] & 203.2[8.00]                   | JMB | PSG | 07-27-20 | PA1HW7AE0V |



- NOTE
- FOR ADDITIONAL INFORMATION ON INSTALLATION, START-UP PROCEDURES, AND RECOMMENDED FLUIDS, CONTACT YOUR EATON REPRESENTATIVE
  - ALL PORTS SEALED FOR SHIPPING
  - UNLESS OTHERWISE SPECIFIED ALL DIMENSIONS ARE NOMINAL
  - UNIT SHAFT ROTATION SPECIFIED IS VIEWED FROM INPUT SHAFT END

REVIEWED FOR CLASSIFICATION PER ESP-042

DRAWING BASED ON ASME Y14.5-2009

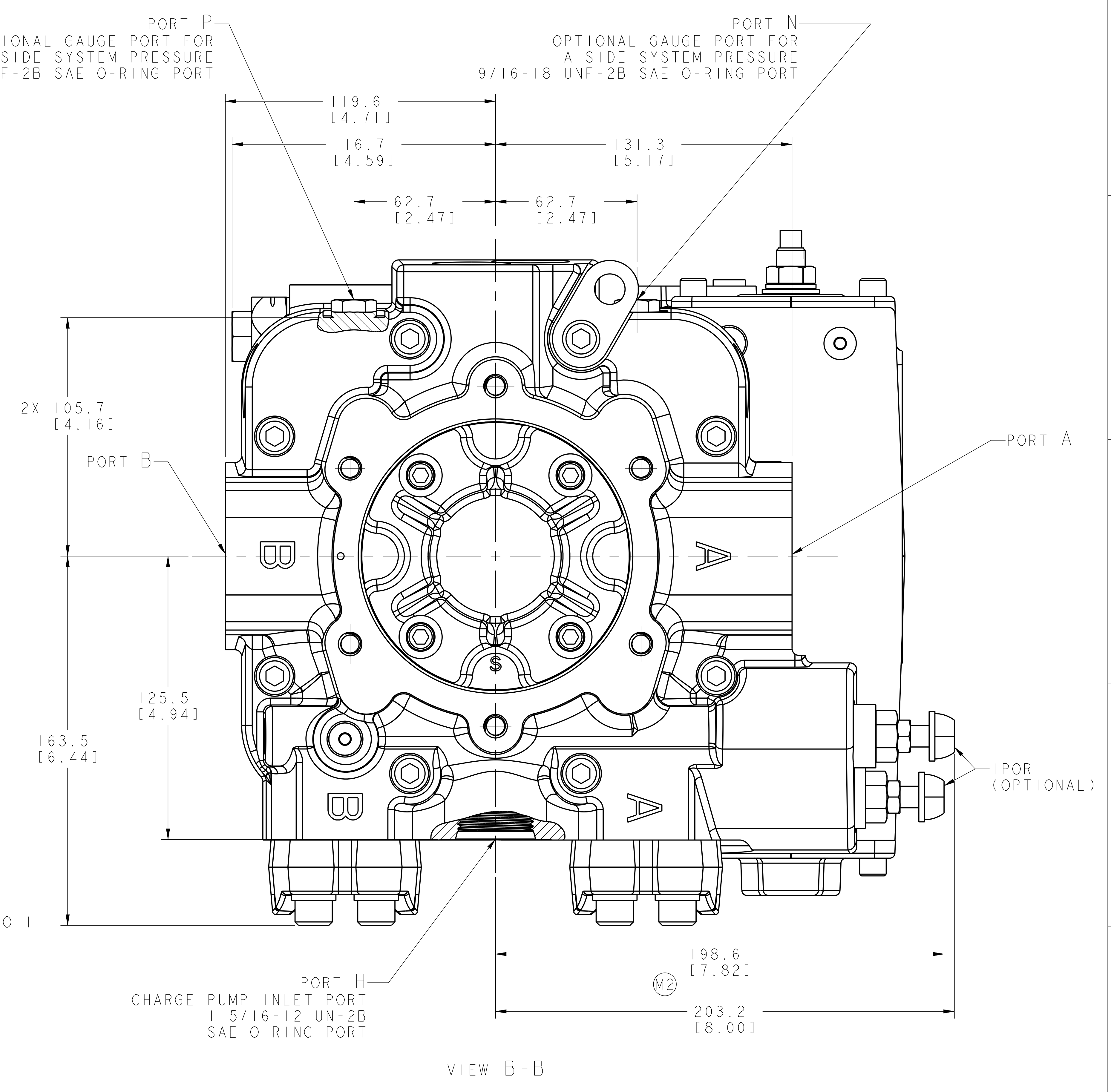
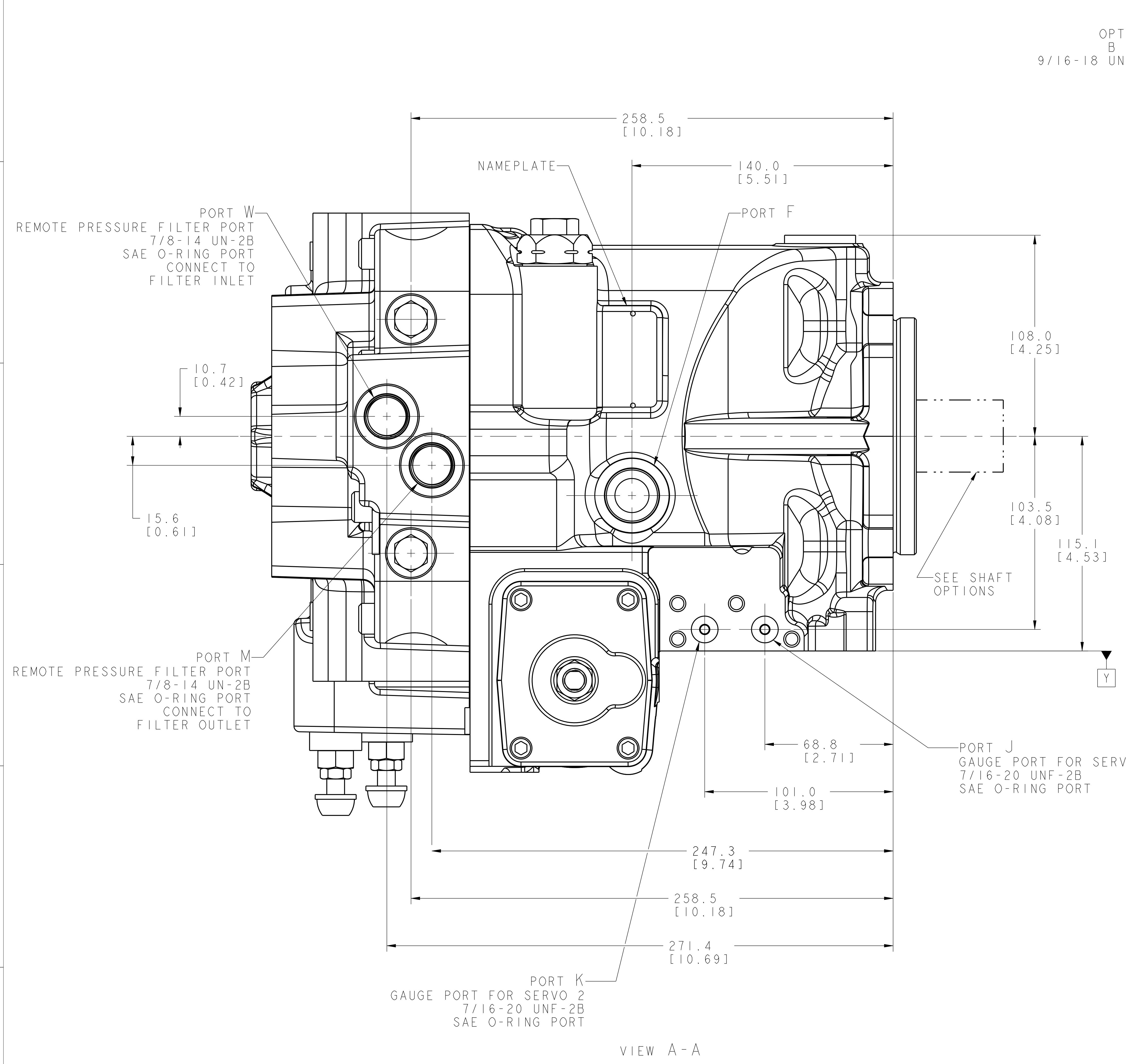
THE REPRODUCTION, DISTRIBUTION, AND UTILIZATION OF THIS DOCUMENT, AS WELL AS THE COMMUNICATION OF ITS CONTENTS TO OTHERS WITHOUT EXPLICIT AUTHORIZATION IS PROHIBITED. OFFENDERS WILL BE HELD LIABLE FOR THE PAYMENT OF DAMAGES. ALL RIGHTS RESERVED IN THE EVENT OF THE GRANT OF A PATENT, UTILITY MODEL, OR DESIGN. (PER ISO 16016)

**Danfoss**

|   |   |                               |                                      |        |  |                            |   |                     |           |              |
|---|---|-------------------------------|--------------------------------------|--------|--|----------------------------|---|---------------------|-----------|--------------|
| UNLESS OTHERWISE SPECIFIED ALL DIMENSIONS ARE IN<br>INCHES <input type="checkbox"/><br>MILLIMETERS (INCHES) <input checked="" type="checkbox"/> | TOLERANCES<br>.x ± .005<br>.xx ± .002<br>.xxx ± .001<br>∠ ± .005° | UNSPECIFIED RADII ARE:<br>--- | UNSPECIFIED DRAFT ANGLES ARE:<br>--- | E SIZE | THIRD ANGLE PROJECTION<br>DO NOT SCALE | MATERIAL/HEAT TREAT<br>--- | TITLE<br>89. 105 CC SERIES 2 VARIABLE PUMP INSTALLATION.<br>HIGH TORQUE, REMOTE PRESSURE FILTER PORTS | NUMBER<br>A-991-006 | SCALE 1/1 | SHEET 1 OF 2 |
|---|---|-------------------------------|--------------------------------------|--------|--|----------------------------|---|---------------------|-----------|--------------|

DRAWN JJV BY/DATE 01-23-96  
CHECKED JGS BY/DATE 02-06-96  
ENGRG MFW BY/DATE 02-07-96  
METALLURGY --- BY/DATE ---

| REV | DESCRIPTION              | BY | CHK | DATE | ECN / MPS |
|-----|--------------------------|----|-----|------|-----------|
| M   | SEE SHEET 1 FOR REVISION |    |     |      |           |



REVIEWED FOR CLASSIFICATION PER ESP-042

DRAWING BASED ON ASME Y14.5-2009

UNLESS OTHERWISE SPECIFIED ALL DIMENSIONS ARE IN:  
 INCHES   
 MILLIMETERS (INCHES)

TOLERANCES

|             |                                    |  |
|-------------|------------------------------------|--|
| .x ± .---   | ENGRG BY/DATE 02-07-96             | TITLE  |
| .xx ± .---  | MFW BY/DATE 02-07-96               | 89.105 CC SERIES 2 VARIABLE PUMP INSTALLATION, HIGH TORQUE, REMOTE PRESSURE FILTER PORTS |
| .xxx ± .--- | CHECKED JGS BY/DATE 02-06-96       | MATERIAL/HEAT TREAT  |
| < ± .---    | UNSPECIFIED RADI ARE: ---          | ---  |
|             | UNSPECIFIED DRAFT ANGLES ARE: ---° | METALLURGY ---   |
|             | E SIZE                             | THIRD ANGLE PROJECTION DO NOT SCALE  |

NUMBER: A-991-006

SCALE: 1/1

SHEET 2 OF 2