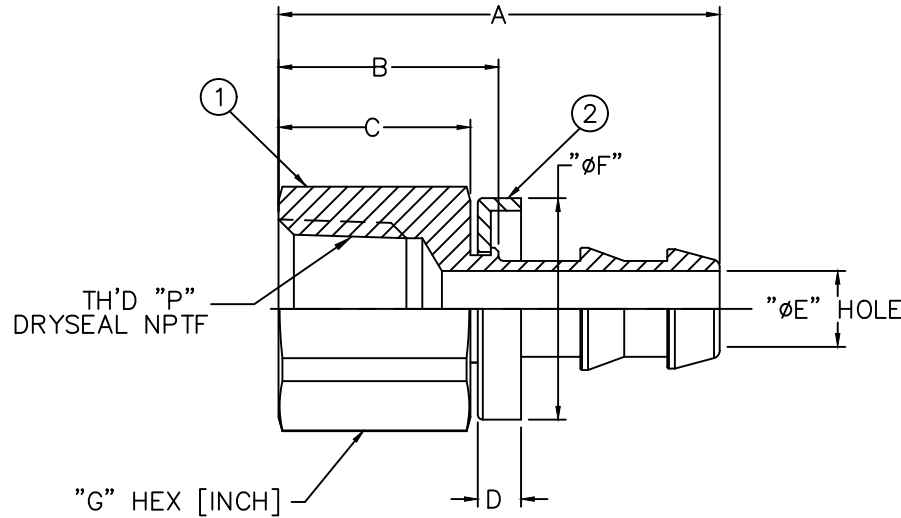


WEATHERHEAD PART NUMBER	AEROQUIP PART NUMBER	TH'D "P" REF	A REF	B REF	C REF	D REF	E REF	F ±0.25 [±.010]	G [INCH] REF
10004B-204	4753-4-4B	1/4-18	39.4 [1.55]	20.3 [.80]	17.5 [.69]	4.3 [.17]	4.3 [.17]	17.5 [.689]	3/4
10006B-206	4753-6-6B	3/8-18	43.7 [1.72]	21.8 [.86]	19 [.75]	4.3 [.17]	7.6 [.30]	22 [.866]	7/8
10008B-208	4753-8-8B	1/2-14	52.3 [2.06]	26.7 [1.05]	23.9 [.94]	4.3 [.17]	9.9 [.39]	24.9 [.980]	1 1/8

REVISIONS			
REV	DESCRIPTION	DATE	APPROVED
F	REDRAWN AND REDESIGNED UPDATED TO LATEST DANFOSS FORMAT & DIMENSION STYLE. 1) ADDED WEATHERHEAD PART NUMBERS.	2014-07-02 KRC/VSP	0099213- ECO

F1



METRIC

F1

10008B-208	4753-8-8B	FW1928-0808B	FF91126-8		
10006B-206	4753-6-6B	FW1928-0606B	FF91126-6		
10004B-204	4753-4-4B	FW1928-0404B	FF91126-4		
WEATHERHEAD PART NUMBER	AEROQUIP PART NUMBER	① NIPPLE	② HOSE CAP		

LIST OF MATERIALS

ITEM NO.	MATERIAL	DRAWN K. CHAVAN	CHECKED V. PATIL	APPROVED Y. KULKARNI	RELEASE DATE 2014-07-02	0099213-ECO	FLUID CONVEYANCE DIVISION
1	BRASS						DRAWING TITLE FITTING ASSEMBLY FEMALE PIPE SOCKETLESS TYPE, 2556 HOSE
2	SANTOPRENE-BLUE						
THIRD ANGLE PROJECTION		SIZE A2	DRAWING NUMBER 4753-B	REV F			
SCALE NONE		DIST U	CAGE CODE 01276	SHEET 1			

1. DIMENSIONS ARE IN MILLIMETERS [INCHES].

THE REPRODUCTION, DISTRIBUTION AND UTILIZATION OF THIS DOCUMENT AS WELL AS THE COMMUNICATION OF ITS CONTENTS TO OTHERS WITHOUT EXPLICIT AUTHORIZATION IS PROHIBITED. OFFENDERS WILL BE HELD LIABLE FOR THE PAYMENT OF DAMAGES. ALL RIGHT RESERVED IN THE EVENT OF THE GRANT OF A PATENT, UTILITY MODEL OR DESIGN. (PER ISO 16016)