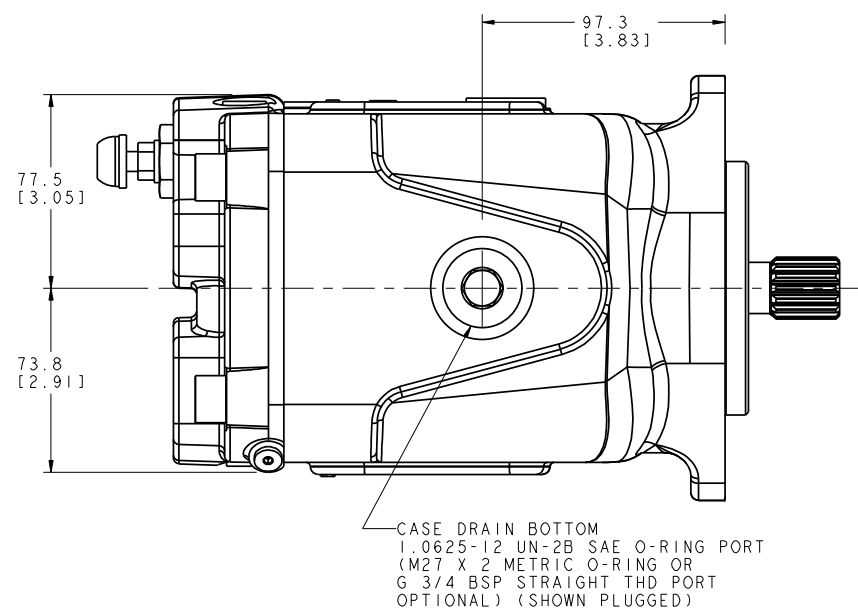
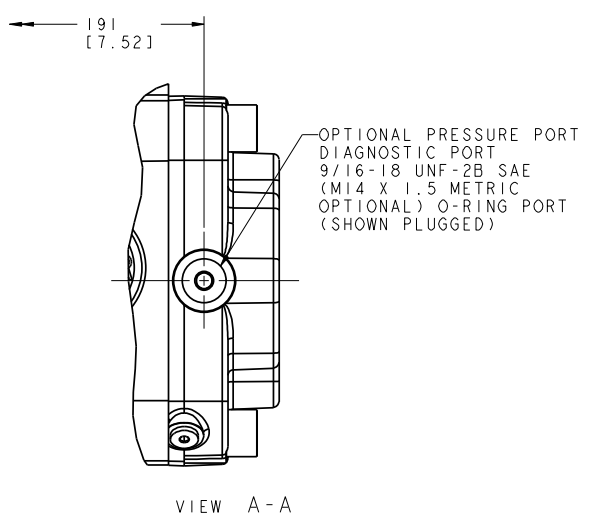
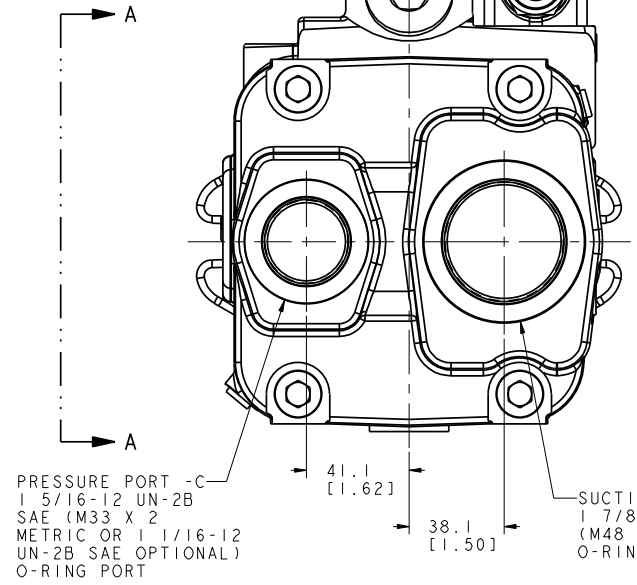
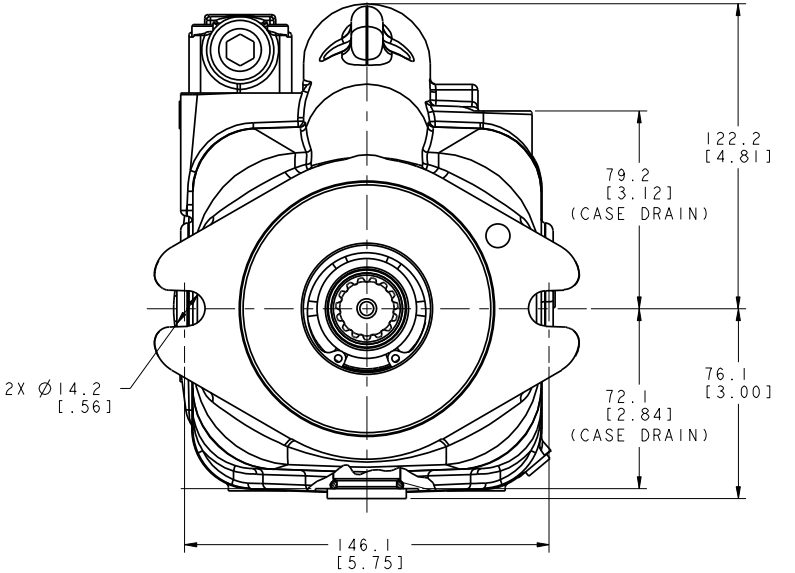
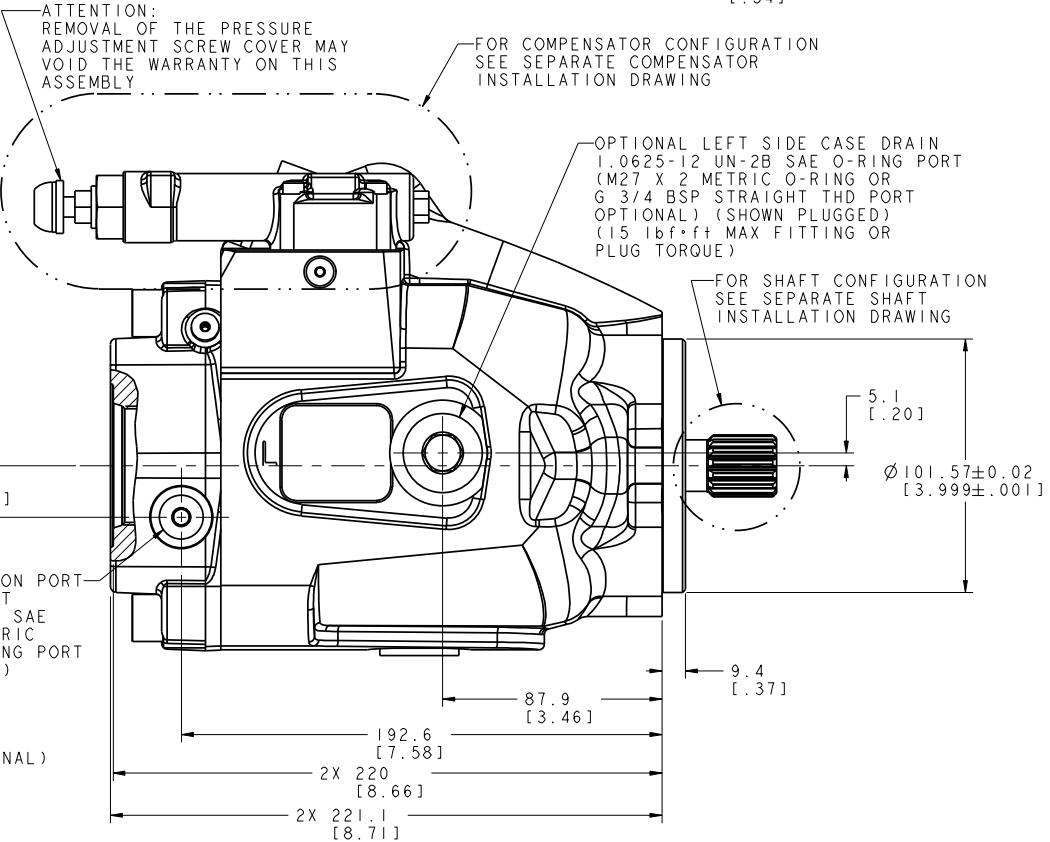
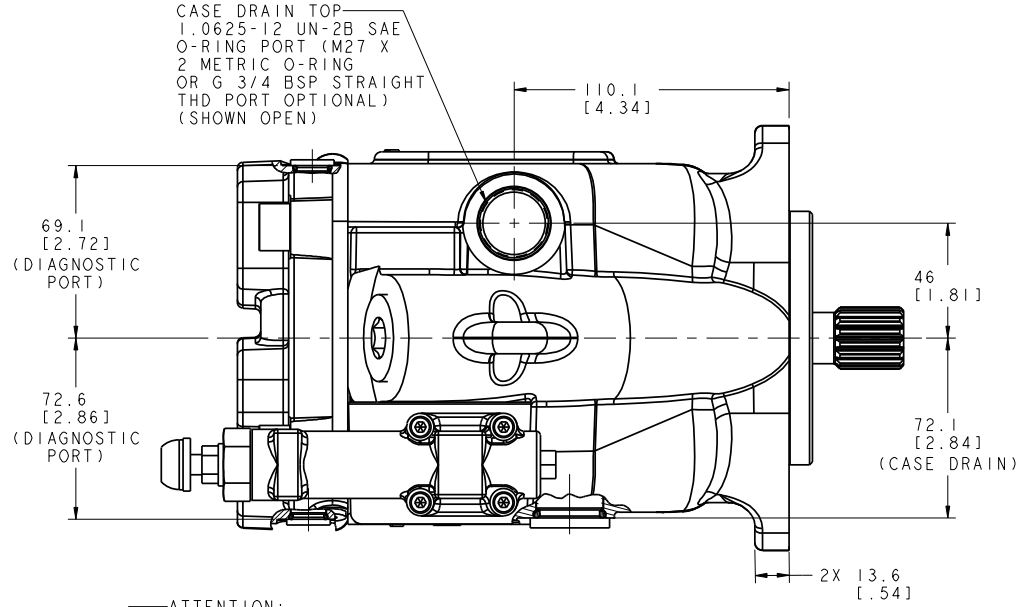


REV	DESCRIPTION	BY	CHK	DATE	ECN / MPS
A	ENGINEERING RELEASE	NWS	BMS	5-28-08	0018094



NOTE
1 UNIT MUST BE INSTALLED IN SUCH A POSITION THAT THE CASE DRAIN ASSURES AN OIL LEVEL AT OR ABOVE UNIT CENTER LINE BEFORE STARTING

REVIEWED FOR CLASSIFICATION PER ESP-042

DRAWING BASED ON ANSI Y14.5M-1982

UNLESS OTHERWISE SPECIFIED ALL DIMENSIONS ARE IN INCHES

MILLIMETERS (INCHES)

TOLERANCES

XX ± .005

XXX ± .010

UNSPECIFIED RADII ARE: .005

UNSPECIFIED DRAFT ANGLES ARE: 1:4

THIRD ANGLE PROJECTION

DO NOT SCALE

THE REPRODUCTION, DISTRIBUTION, AND UTILIZATION OF THIS DOCUMENT, AS WELL AS THE COMMUNICATION OF ITS CONTENTS TO OTHERS WITHOUT EXPLICIT AUTHORIZATION IS PROHIBITED. OFFENDERS WILL BE HELD LIABLE FOR THE PAYMENT OF DAMAGES. ALL RIGHTS RESERVED IN THE EVENT OF THE GRANT OF A PATENT, UTILITY MODEL, OR DESIGN. (PER ISO 16016)

Danfoss

DRAWN NWS BY/DATE 12-27-07

CHECKED BMS BY/DATE 12-27-07

ENGRG DJZ BY/DATE 12-27-07

METALLURGY BY/DATE

MATERIAL/HEAT TREAT

TITLE

SERIES 420 PUMP INSTALLATION

NUMBER A-3216-005

SCALE 1/1

SHEET 1 OF 1