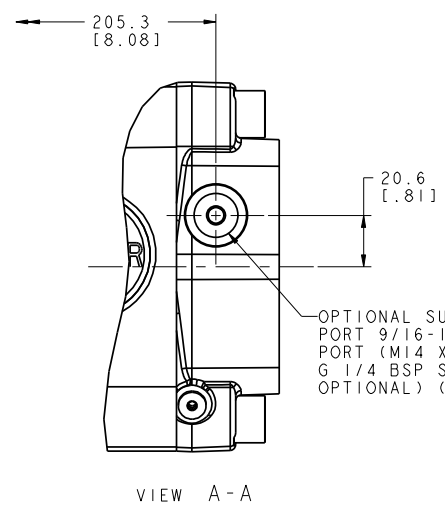
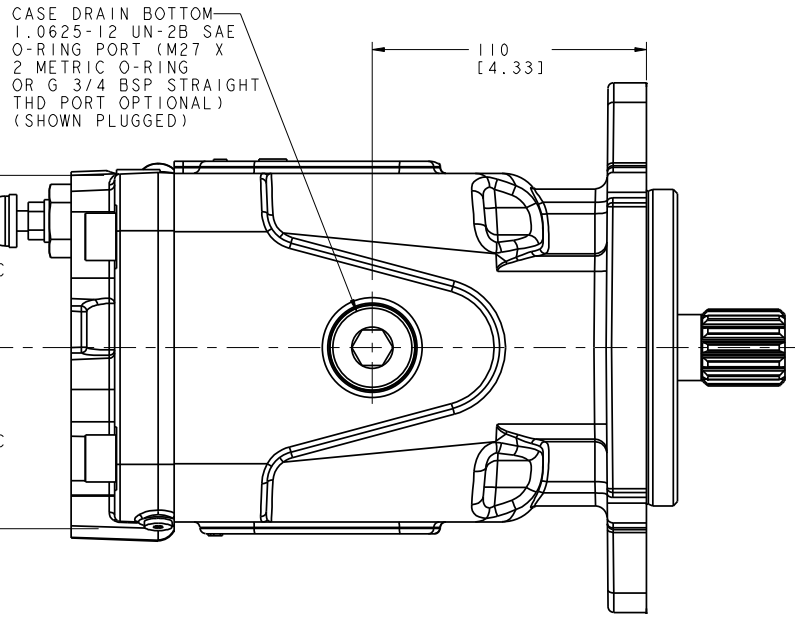
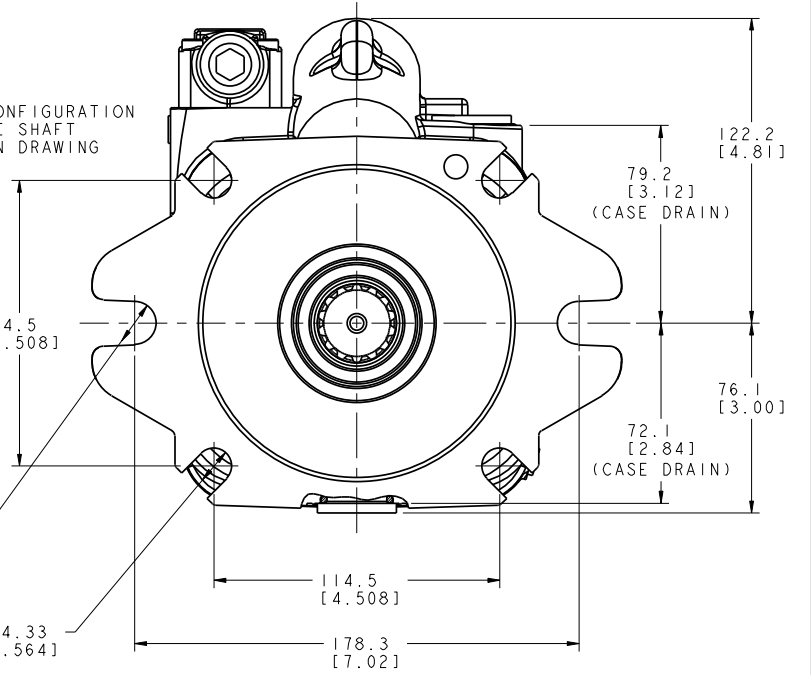
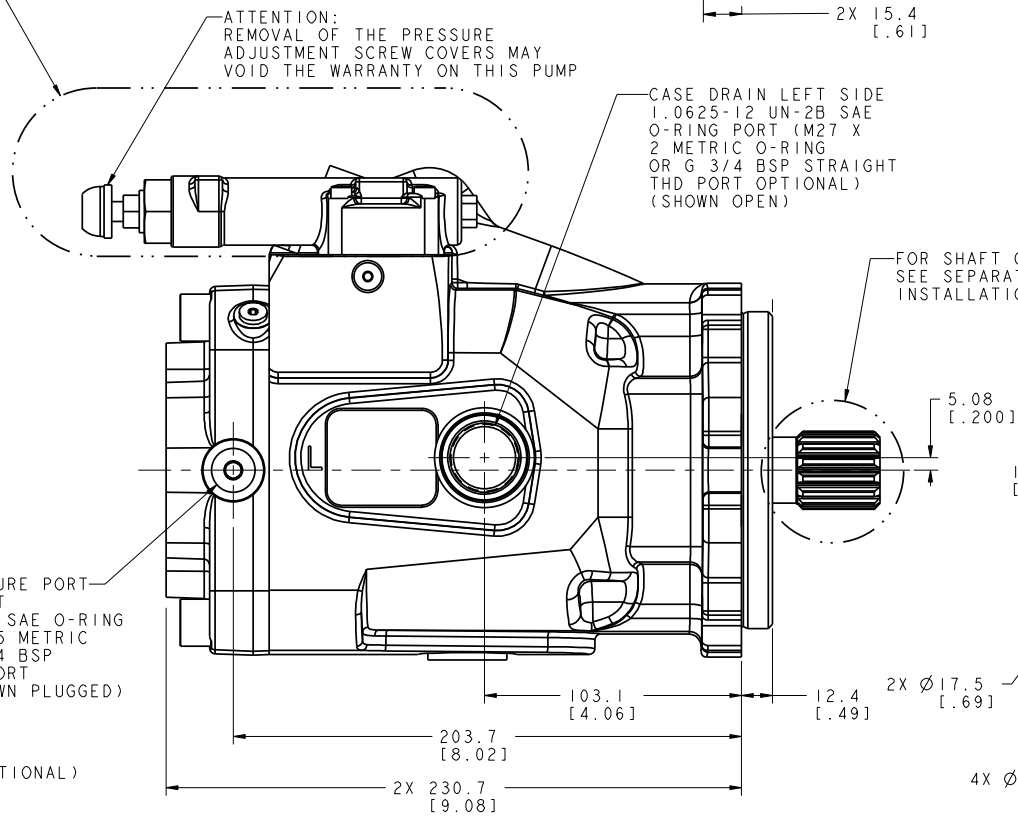
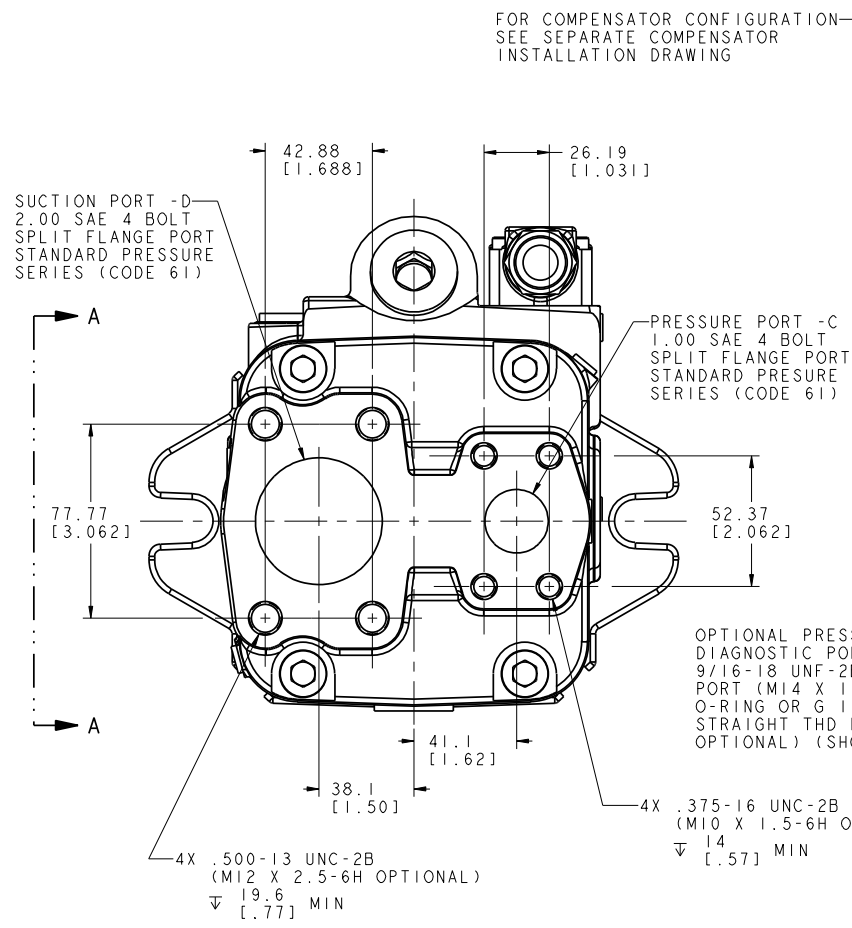
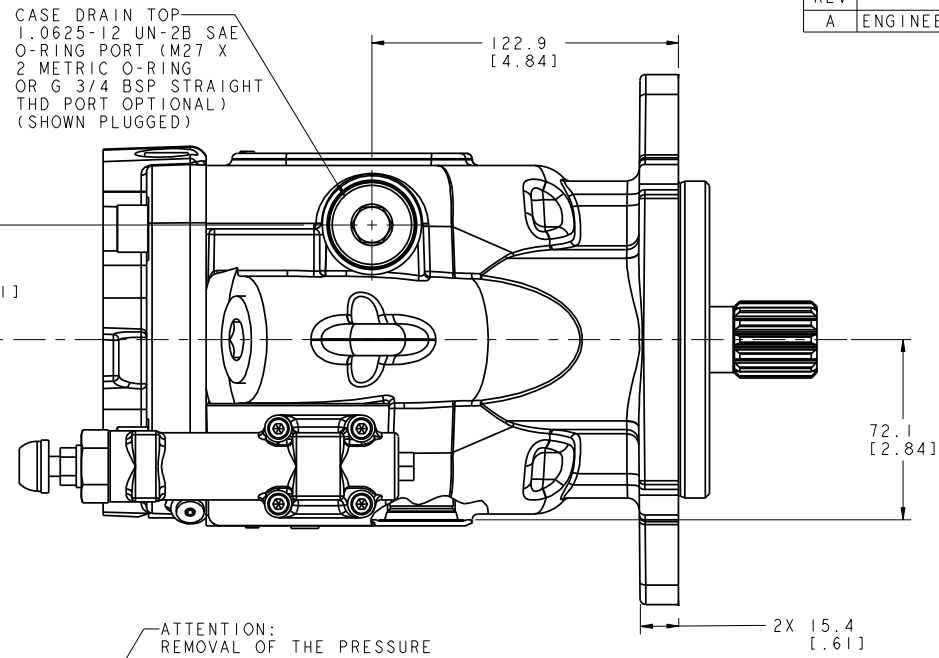


REV	DESCRIPTION	BY	CHK	DATE	ECN / MPS
A	ENGINEERING RELEASE	NWS	BMS	5-28-08	0018094



NOTE
1 PUMP MUST BE INSTALLED IN SUCH A POSITION THAT
THE CASE DRAIN ASSURES AN OIL LEVEL AT OR ABOVE
PUMP CENTERLINE BEFORE STARTING

REVIEWED FOR CLASSIFICATION PER ESP-042

UNLESS OTHERWISE SPECIFIED ALL DIMENSIONS ARE IN		DRAWING BASED ON ANSI Y14.5M-1982	
INCHES <input type="checkbox"/>		THE REPRODUCTION, DISTRIBUTION, AND UTILIZATION OF THIS DOCUMENT, AS WELL AS THE COMMUNICATION OF ITS CONTENTS TO OTHERS WITHOUT EXPLICIT AUTHORIZATION IS PROHIBITED. OFFENDERS WILL BE HELD LIABLE FOR THE PAYMENT OF DAMAGES. ALL RIGHTS RESERVED IN THE EVENT OF THE GRANT OF A PATENT, UTILITY MODEL, OR DESIGN. (PER ISO 16016)	
MILLIMETERS <input checked="" type="checkbox"/>			
TOLERANCES			
.XX ±	----	DRAWN NWS	MATERIAL/HEAT TREAT
.XXX ±	REF	BY/DATE 1-16-08	
<	ONLY	CHECKED BMS	
		BY/DATE 1-16-08	
UNSPECIFIED RADI	ARE:	ENGRG DJZ	TITLE
----		BY/DATE 1-16-08	
UNSPECIFIED DRAFT ANGLES ARE:		METALLURGY	
----		BY/DATE	
			SERIES 420 C MOUNT PUMP INSTALL
			NUMBER
			A-3363-002
E SIZE	THIRD ANGLE PROJECTION	SCALE	1/1
	DO NOT SCALE	SHEET	1 OF 1