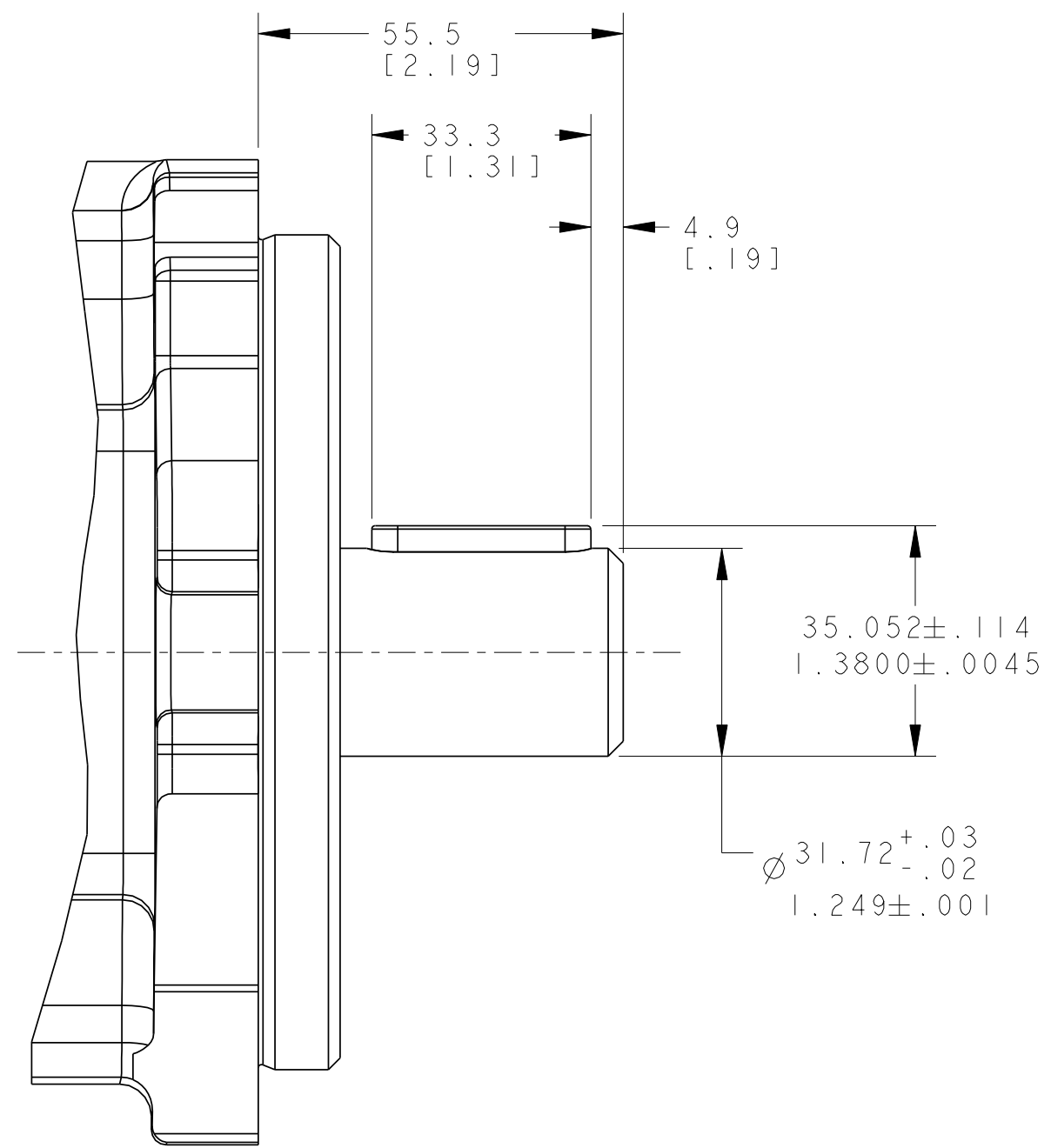
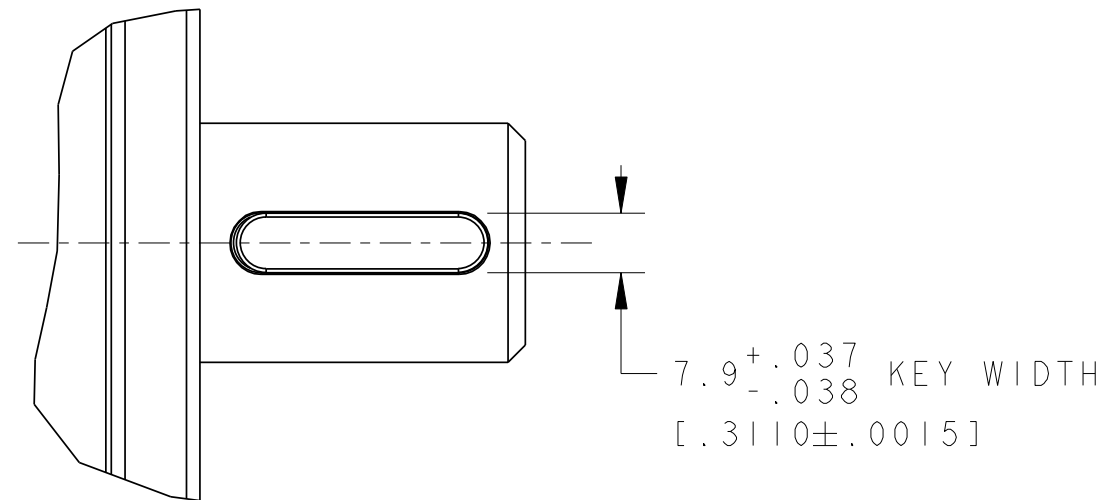


REV	DESCRIPTION	BY	CHK	DATE	ECN / MR
A	ENGINEERING RELEASE	NWS	BMS	5-28-08	001809



REVIEWED FOR CLASSIFICATION PER ESP-042

DISTRIBUTION CODE(S)

UNLESS OTHERWISE SPECIFIED ALL DIMENSIONS ARE IN INCHES <input type="checkbox"/> MILLIMETERS (INCHES) <input checked="" type="checkbox"/>	DRAWING BASED ON ANSI Y14.5M-1982	
	THE REPRODUCTION, DISTRIBUTION, AND UTILIZATION OF THIS DOCUMENT, AS WELL AS THE COMMUNICATION OF ITS CONTENTS TO OTHERS WITHOUT EXPLICIT AUTHORIZATION IS PROHIBITED. OFFENDERS WILL BE HELD LIABLE FOR THE PAYMENT OF DAMAGES. ALL RIGHTS RESERVED IN THE EVENT OF THE GRANT OF A PATENT, UTILITY MODEL, OR DESIGN. (PER ISO 16016)	
TOLERANCES .X ± 0.1 .XX ± REF .XXX ± ONLY < ± 0.5° UNSPECIFIED RADII ARE: ----	DRAWN NWS BY/DATE 1-29-08 CHECKED BMS BY/DATE 1-29-08 ENGRG DJZ BY/DATE 1-29-08 METALLURGY ---- BY/DATE	MATERIAL/HEAT TREAT \
UNSPECIFIED DRAFT ANGLES ARE: ----	THIRD ANGLE PROJECTION DO NOT SCALE	TITLE 420 PUMP INPUT SHAFT INSTALL
B SIZE	MICROINCHES <input type="checkbox"/> MICROMETERS (MICROINCHES) <input checked="" type="checkbox"/> ARITHMETICAL AVERAGE <input checked="" type="checkbox"/>	NUMBER A-3234-010 SCALE 1/1 SHEET 1 OF 1

