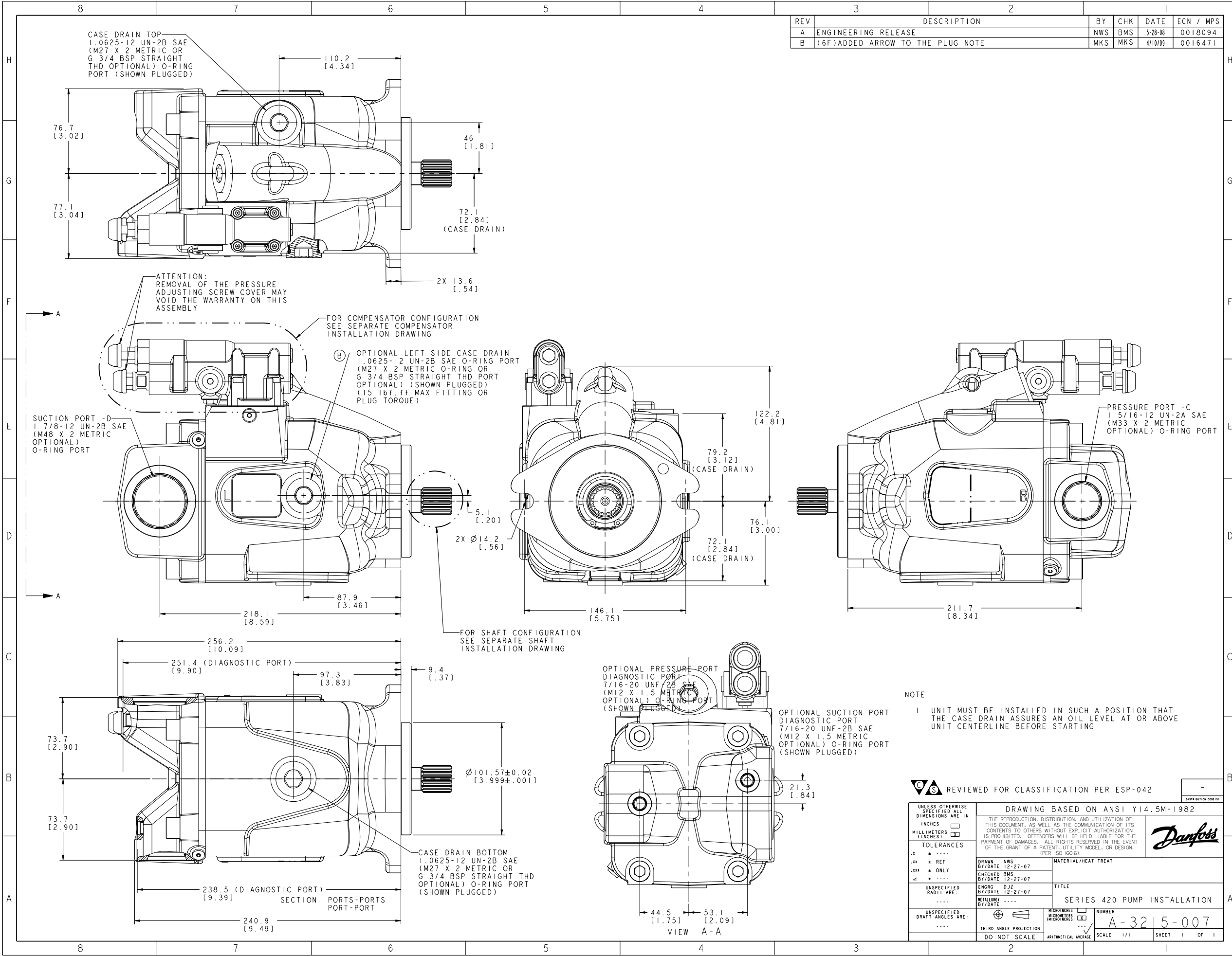


REV	DESCRIPTION	BY	CHK	DATE	ECN / MPS
A	ENGINEERING RELEASE	NWS	BMS	5-28-08	0018094
B	(6F)ADDED ARROW TO THE PLUG NOTE	MKS	MKS	4/10/09	0016471



CS REVIEWED FOR CLASSIFICATION PER ESP-042

DRAWING BASED ON ANSI Y14.5M-1982

UNLESS OTHERWISE SPECIFIED ALL DIMENSIONS ARE IN
 INCHES
 MILLIMETERS

TOLERANCES

.1	+ .001
.125	+ .002
.15	+ .003
.175	+ .004
.2	+ .005
.25	+ .006
.3	+ .008
.375	+ .010
.45	+ .012
.5	+ .015
.6	+ .018
.75	+ .022
.9	+ .028
1.125	+ .035
1.5	+ .045
2	+ .055
2.5	+ .065
3	+ .080
3.75	+ .100
4.5	+ .120
5.5	+ .150
6.5	+ .180
8	+ .220
10	+ .280
12	+ .350
15	+ .450
20	+ .600
25	+ .750
30	+ .900
36	+ 1.100
45	+ 1.350
54	+ 1.620
66	+ 1.950
81	+ 2.400
99	+ 3.000
120	+ 3.600

UNSPECIFIED DRAFT ANGLES ARE: THIRD ANGLE PROJECTION DO NOT SCALE

UNSPECIFIED RADIUS ARE: THIRD ANGLE PROJECTION DO NOT SCALE

UNSPECIFIED METALLURGY BY/DATE:

UNSPECIFIED FINISH BY/DATE:

UNSPECIFIED SURFACE TREATMENT BY/DATE:

UNSPECIFIED MATERIAL/HEAT TREAT BY/DATE:

UNSPECIFIED TITLES BY/DATE:

UNSPECIFIED NUMBER BY/DATE:

UNSPECIFIED SCALE BY/DATE:

UNSPECIFIED SHEET OF BY/DATE:

Danfoss

SERIES 420 PUMP INSTALLATION

NUMBER **A-3215-007**

SCALE 1/1 SHEET 1 OF 1