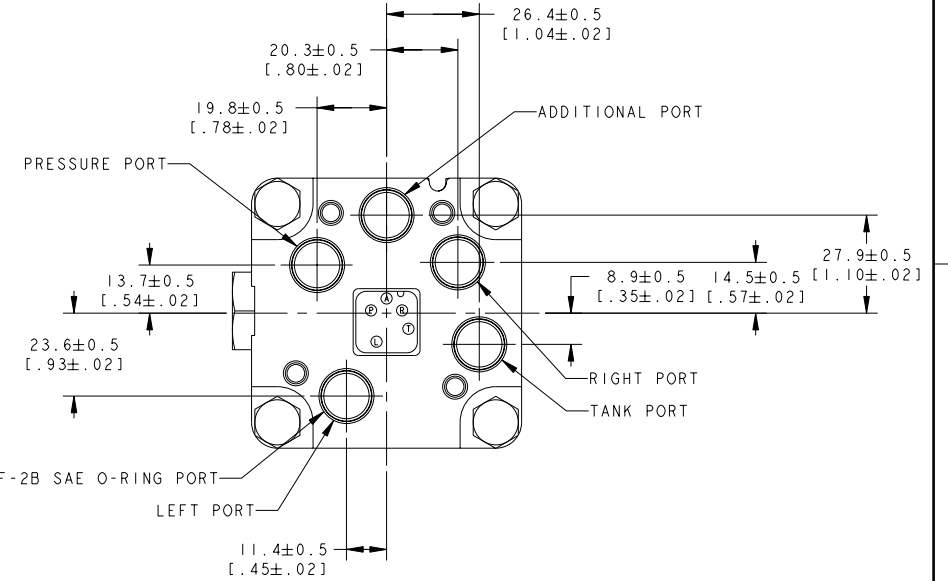
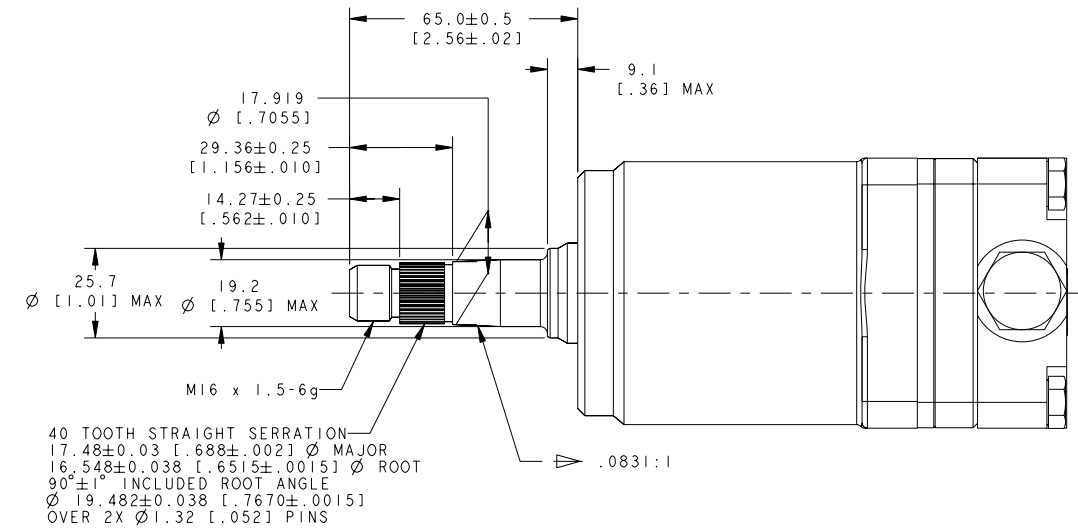
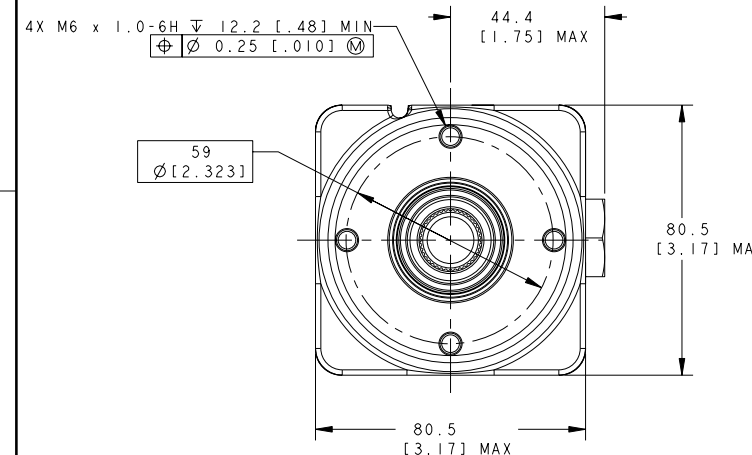
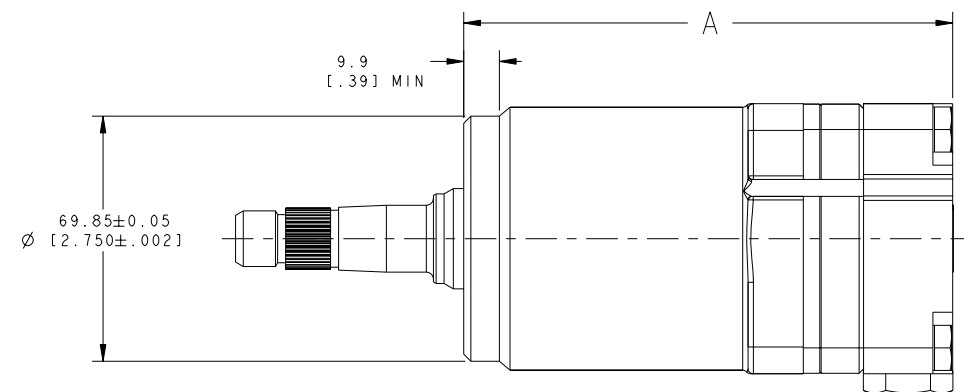


DISPLACEMENT		A MAX
CODE	cm3/r [in3/r]	
35	31.5 [1.92]	135.1 [5.32]
37	39.5 [2.41]	137.2 [5.40]
39	50.8 [3.10]	136.1 [5.36]
41	63.1 [3.85]	137.9 [5.43]
43	73.8 [4.50]	139.7 [5.50]
46	100 [6.10]	144 [5.67]
48	120 [7.33]	147.3 [5.80]
50	146 [8.90]	151.4 [5.96]

REV	DESCRIPTION	BY	CHK	DATE	ECN / MPS
A	RELEASE FOR SAMPLES AND ESTIMATES	LMD	LMD	1-31-02	M27161
B	(2C) CHANGED TIMING MARK PICTORIALY	LMD	LMD	3-19-02	X40739
C	-1)(1B) RIGHT PORT WAS LEFT PORT -2)(2B) LEFT PORT WAS RIGHT PORT -3)(2B) ADDED PORT CALLOUT NAMEPLATE	LMD	LMD	4-8-02	X40899
D	(2B) REVISED PORT LOCATIONS	LMD	LMD	5-3-02	X41152
E	(2C) ADDED 4 TAPPED HOLES TO END CAP	LMD	LMD	5-20-02	X41272
F	ENGINEERING RELEASE	LMD	LMD	10-21-02	42621
G	(2B) CHANGED NAMEPLATE PICTORIALY	LMD	LMD	4-15-03	43998
H	ADDED DISPLACEMENT CODE 50	RRS	RRS	07-28-11	M82754



40 TOOTH STRAIGHT SERRATION  
 17.48±0.03 [.688±.002] Ø MAJOR  
 16.548±0.038 [.6515±.0015] Ø ROOT  
 90°±1° INCLUDED ROOT ANGLE  
 Ø 19.482±0.038 [.7670±.0015]  
 OVER 2X Ø1.32 [.052] PINS

5X .5625-18 UNF-2B SAE O-RING PORT

M  
 (DISTRIBUTION CODE(S))

UNLESS OTHERWISE SPECIFIED ALL DIMENSIONS ARE IN INCHES		DRAWING BASED ON ANSI Y14.5M-1982	
MILLIMETERS [INCHES]		THE REPRODUCTION, DISTRIBUTION, AND UTILIZATION OF THIS DOCUMENT, AS WELL AS THE COMMUNICATION OF ITS CONTENTS TO OTHERS WITHOUT EXPLICIT AUTHORIZATION IS PROHIBITED. OFFENDERS WILL BE HELD LIABLE FOR THE PAYMENT OF DAMAGES. ALL RIGHTS RESERVED IN THE EVENT OF THE GRANT OF A PATENT, UTILITY MODEL, OR DESIGN. (PER ISO 10010)	
TOLERANCES		DRAWN LMD BY/DATE 2-21-02	
.X ± ----		MATERIAL/HEAT TREAT	
.XX ± ----		CHECKED LMD BY/DATE 2-21-02	
.XXX ± ----		ENGRG AWS BY/DATE 2-28-02	
UNSPECIFIED RADII ARE:		TITLE	
.		STEERING CONTROL UNIT INSTALLATION	
UNSPECIFIED DRAFT ANGLES ARE:		METALLURGY	
°		THIRD ANGLE PROJECTION	
DO NOT SCALE		NUMBER A-274-017	
		SCALE 1/1 SHEET 1 OF 1	