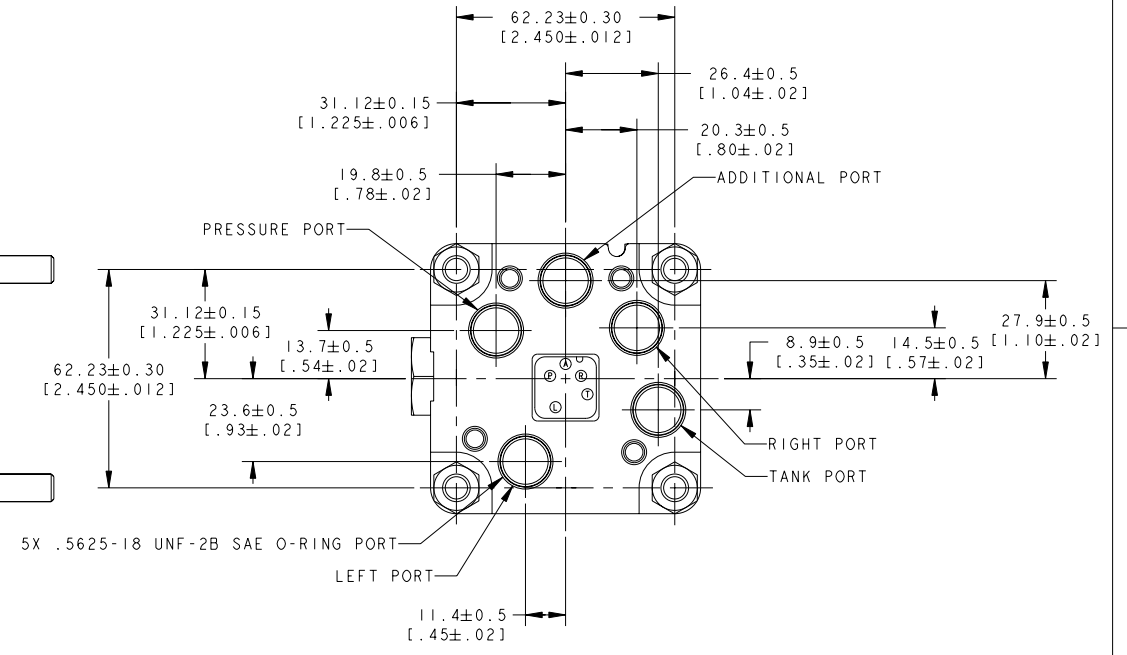
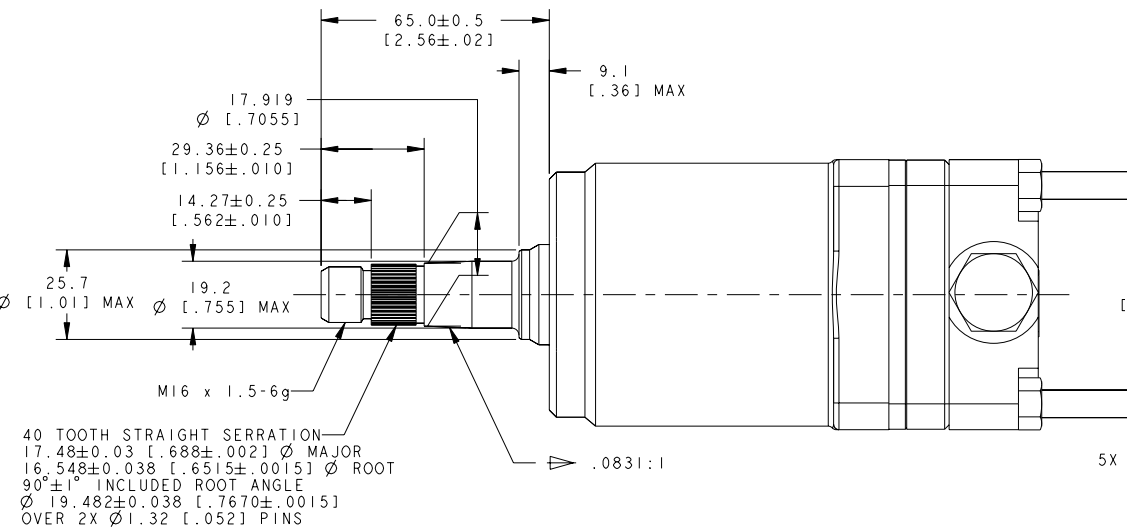
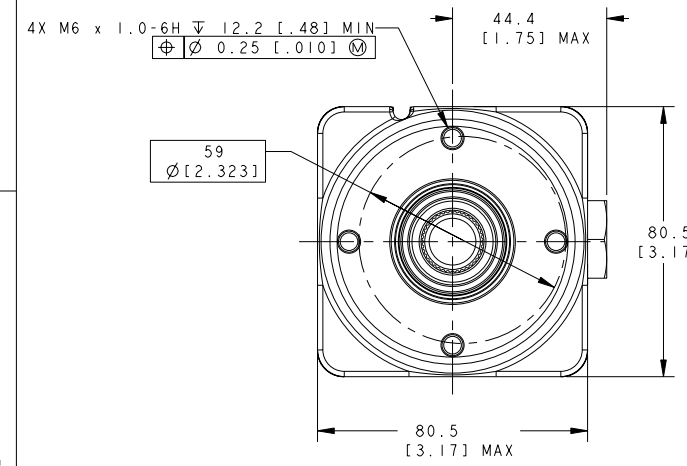
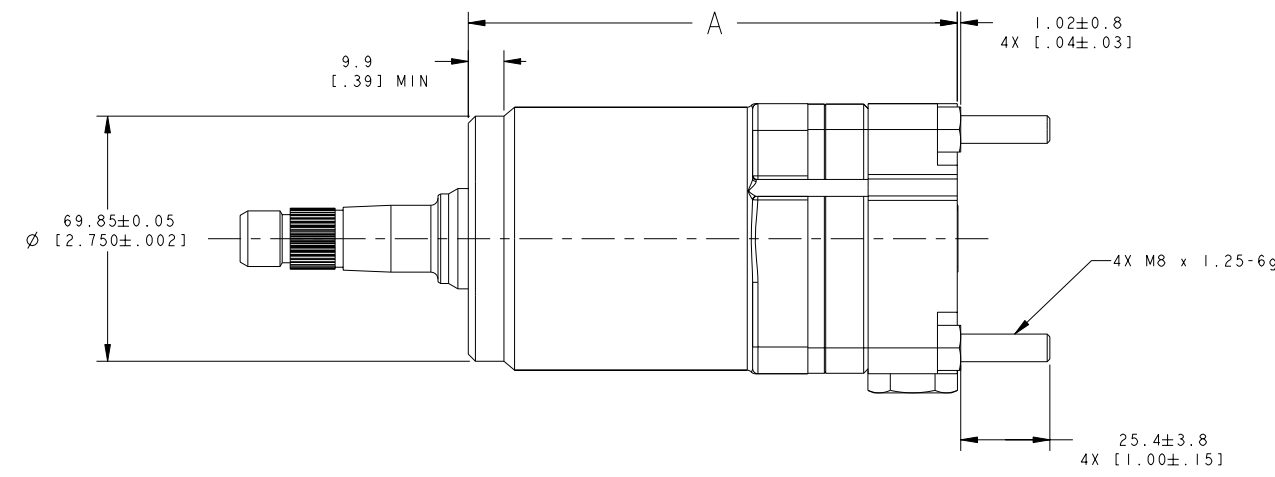


DISPLACEMENT		A MAX
CODE	cm ³ /r [in ³ /r]	
35	31.5 [1.92]	135.1 [5.32]
37	39.5 [2.41]	137.2 [5.40]
39	50.8 [3.10]	136.1 [5.36]
41	63.1 [3.85]	137.9 [5.43]
43	73.8 [4.50]	139.7 [5.50]
46	100 [6.10]	144 [5.67]
48	120 [7.33]	147.3 [5.80]

REV	DESCRIPTION	BY	CHK	DATE	ECN / MPS
A	RELEASE FOR SAMPLES AND ESTIMATES	LMD	LMD	6-19-02	M28209
B	ENGINEERING RELEASE	LMD	LMD	1-2-03	M29695
C	(2B) CHANGED NAMEPLATE PICTORIALLY	LMD	LMD	4-15-03	43998
D	(3C) WAS 4X 25.4±2.5/[1.00±.10]	AH	AH	5/10/06	54680



M
DISTRIBUTION CODE(S)

UNLESS OTHERWISE SPECIFIED ALL DIMENSIONS ARE IN INCHES MILLIMETERS

TOLERANCES
 .X ± ----
 .XX ± ----
 .XXX ± ----
 < ± ----

UNSPECIFIED RADII ARE: .
 METALLURGY: .
 UNSPECIFIED DRAFT ANGLES ARE: °

THIRD ANGLE PROJECTION
 DO NOT SCALE

ARITHMETICAL AVERAGE

DRAWING BASED ON ANSI Y14.5M-1982

THE REPRODUCTION, DISTRIBUTION, AND UTILIZATION OF THIS DOCUMENT, AS WELL AS THE COMMUNICATION OF ITS CONTENTS TO OTHERS WITHOUT EXPLICIT AUTHORIZATION IS PROHIBITED. OFFENDERS WILL BE HELD LIABLE FOR THE PAYMENT OF DAMAGES. ALL RIGHTS RESERVED IN THE EVENT OF THE GRANT OF A PATENT, UTILITY MODEL, OR DESIGN. (PER ISO 10016)

DRAWN LMD BY/DATE 6-26-02
 CHECKED LMD BY/DATE 6-26-02

ENGRG DH BY/DATE 6-26-02
 METALLURGY: .

MATERIAL/HEAT TREAT: .
 TITLE: STEERING CONTROL UNIT INSTALLATION

NUMBER: A-274-020
 SCALE: 1/1
 SHEET: 1 OF 1

Danfoss