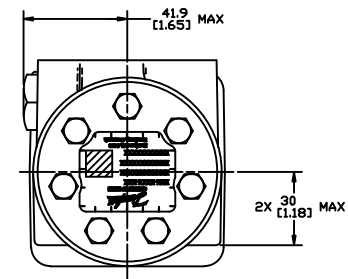
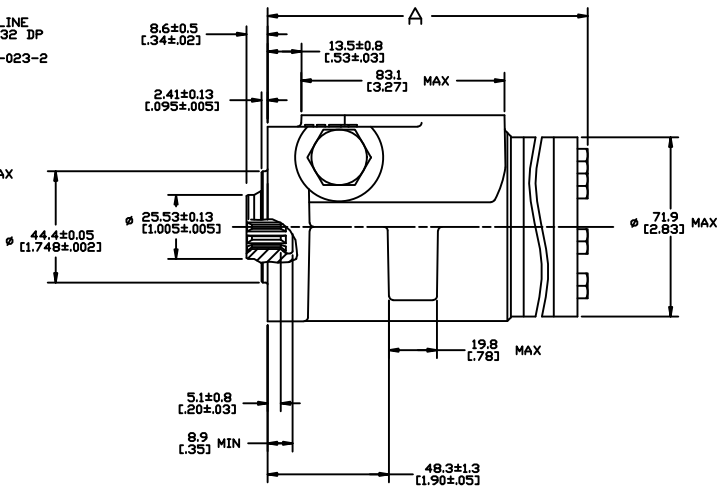
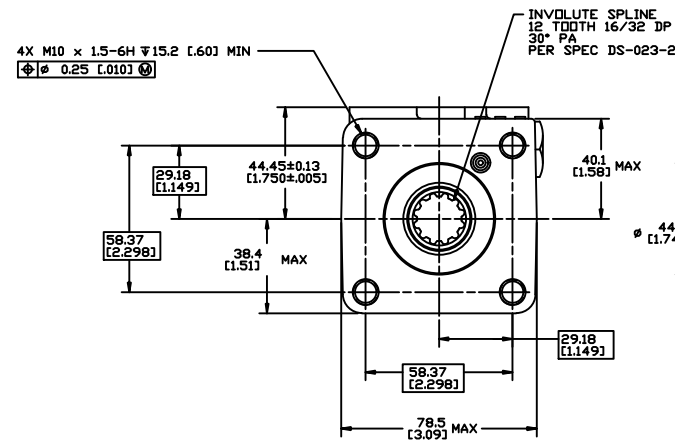
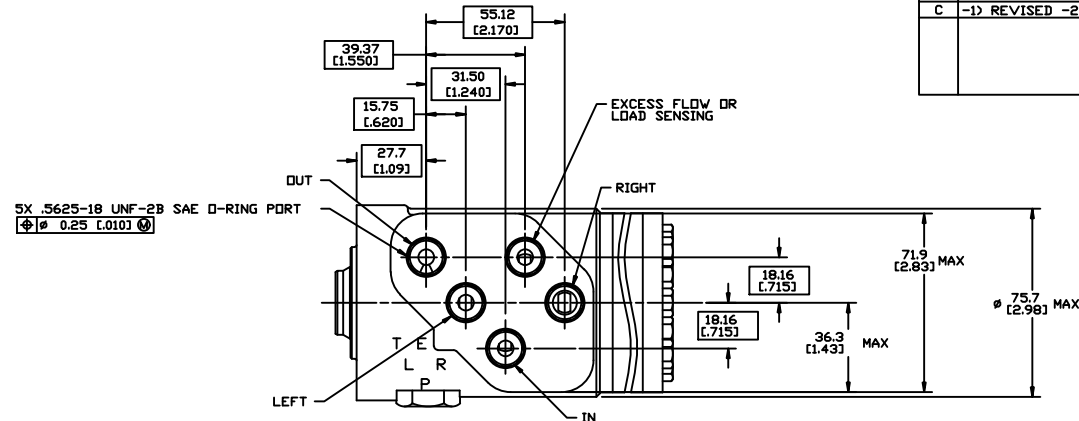


| DISPLACEMENT |   | A MAX        |  |
|--------------|---|--------------|--|
| CODE         | cm <sup>3</sup> /r [in <sup>3</sup> /r] |              |  |
| 35           | 31.5 [1.92]                             | 123.4 [4.86] |  |
| 37           | 39.5 [2.41]                             | 125.2 [4.93] |  |
| 39           | 50.8 [3.10]                             | 124.2 [4.89] |  |
| 41           | 63.1 [3.85]                             | 126.2 [4.97] |  |
| 43           | 73.8 [4.50]                             | 128 [5.04]   |  |
| 46           | 100 [6.10]                              | 132.3 [5.21] |  |
| 48           | 120.0 [7.33]                            | 135.4 [5.33] |  |

| REV | DESCRIPTION                         | BY  | CHK | DATE    | ECN     |
|-----|-------------------------------------|-----|-----|---------|---------|
| A   | RELEASE FOR SAMPLES AND ESTIMATE    | AH  |     | 5/10/01 | X37871  |
| B   | REVISED                             | DMK |     | 6-27-01 | M25670A |
| C   | -1) REVISED -2) ENGINEERING RELEASE | AH  | AH  | 9/17/01 | 39183   |



MRSQ

|  |   |  |  |
|--|---|--|--|
| UNLESS OTHERWISE SPECIFIED, DIMENSIONS ARE IN INCHES<br><input checked="" type="checkbox"/> MILLIMETERS<br>TOLERANCES:<br>X ± .0005<br>XX ± .0002<br>UNSPECIFIED DIMS ARE ± .0015<br>UNSPECIFIED DRAFT ANGLES ARE 1:20<br>DRAWING FORMAT: CONFORMS TO ASME Y14.5M-1994 | DRAWING BASED ON ANSI Y14.5M-1982<br>THE REPRODUCTION, DISTRIBUTION AND UTILIZATION OF THIS DOCUMENT AS WELL AS THE COMMUNICATION OF ITS CONTENTS TO OTHER WITHOUT EXPLICIT AUTHORIZATION IS PROHIBITED. OFFENDERS WILL BE HELD LIABLE FOR THE PAYMENT OF DAMAGES. ALL RIGHT RESERVED IN THE EVENT OF THE GRANT OF A PATENT, UTILITY MODEL OR DESIGN.<br>OVER 100 000 000 | DATE: AH 5/24/01<br>DATE: AH 5/24/01<br>DATE: TAH 5/24/01<br>DATE: W/TAH | TITLE: MINI SCU INSTALLATION   |
| DATE: AH 5/24/01<br>DATE: AH 5/24/01<br>DATE: TAH 5/24/01<br>DATE: W/TAH   | DATE: AH 5/24/01<br>DATE: AH 5/24/01<br>DATE: TAH 5/24/01<br>DATE: W/TAH  | DATE: AH 5/24/01<br>DATE: AH 5/24/01<br>DATE: TAH 5/24/01<br>DATE: W/TAH | DATE: AH 5/24/01<br>DATE: AH 5/24/01<br>DATE: TAH 5/24/01<br>DATE: W/TAH |

A-274-006

SCALE 1/1 SHEET 1 OF 1