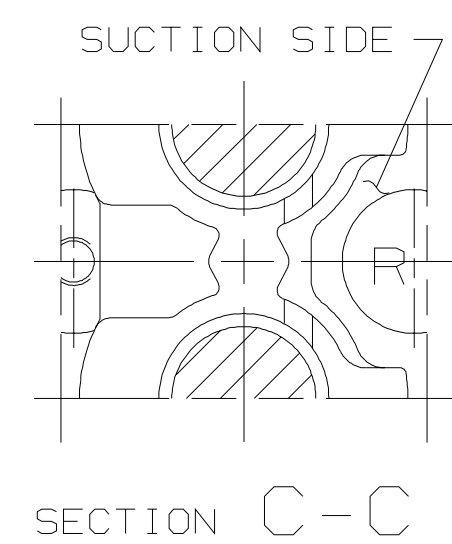
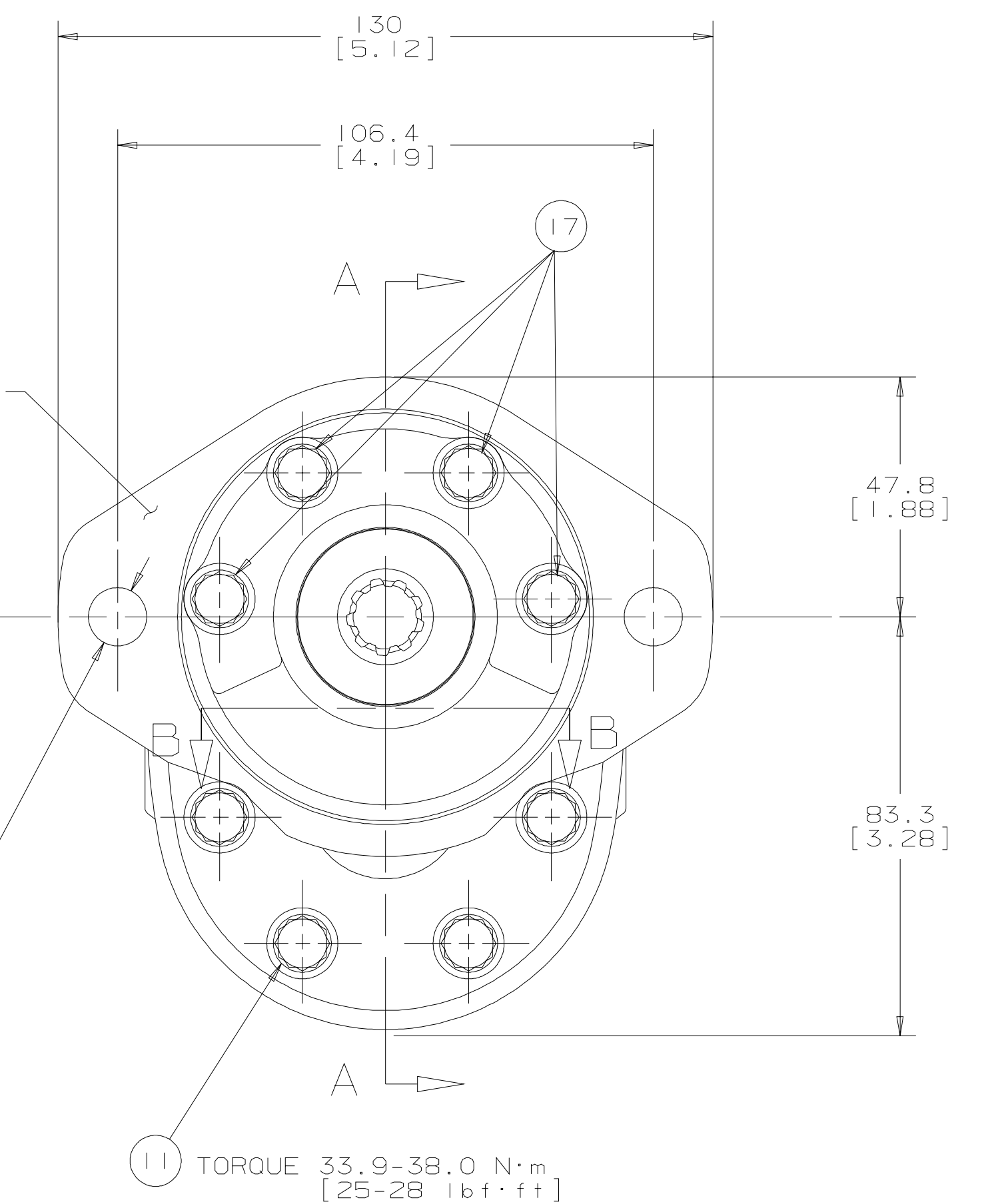
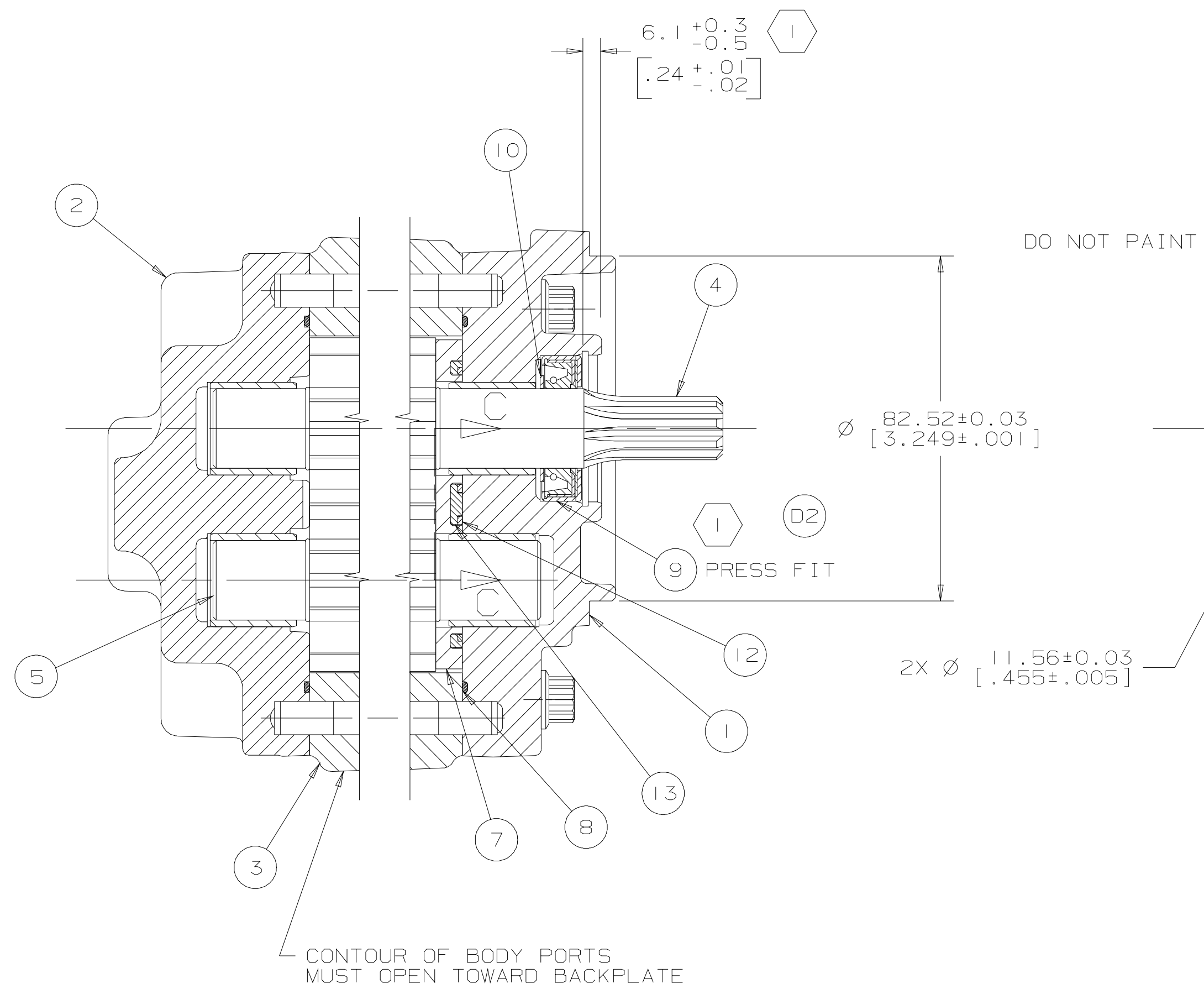
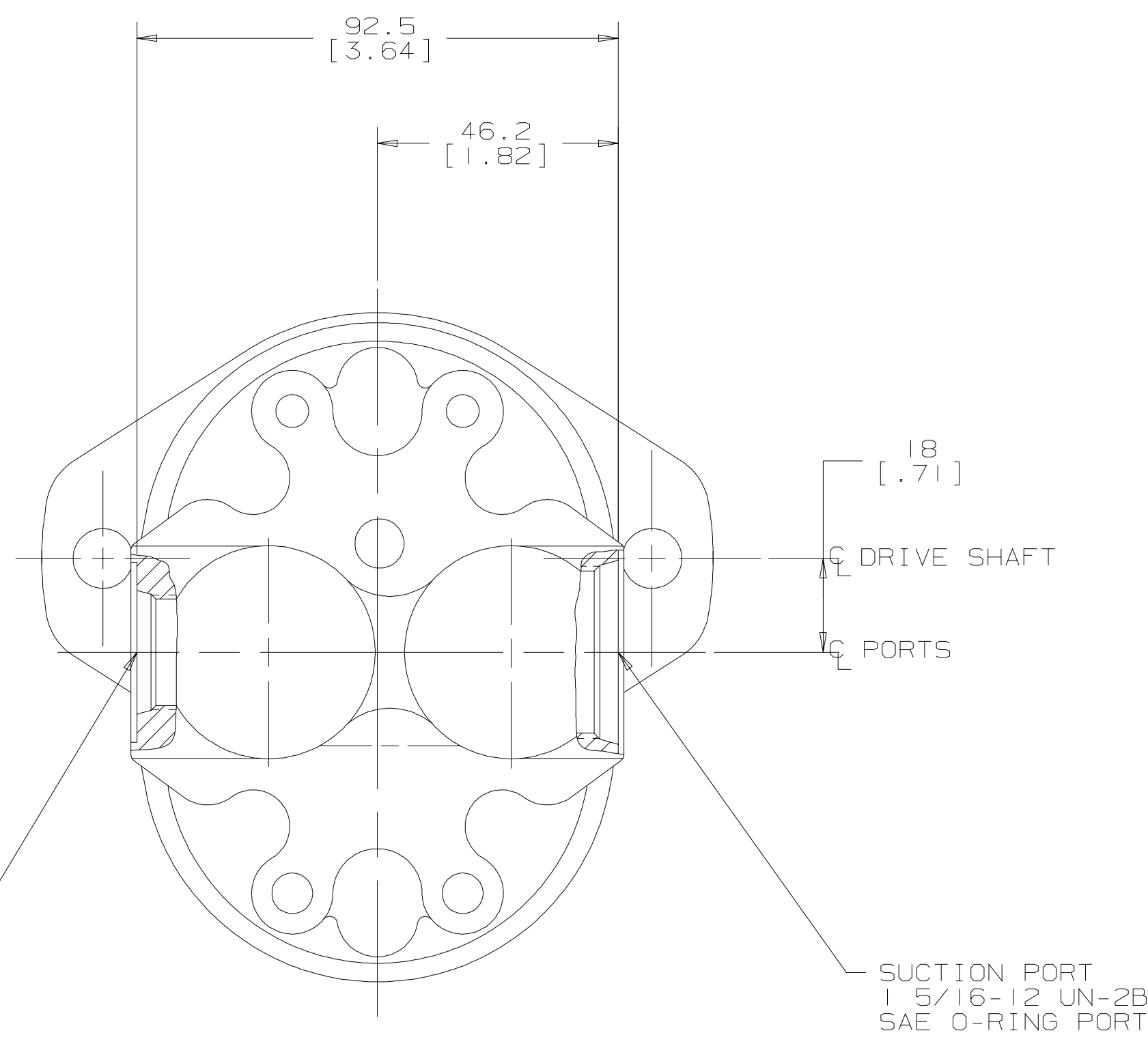
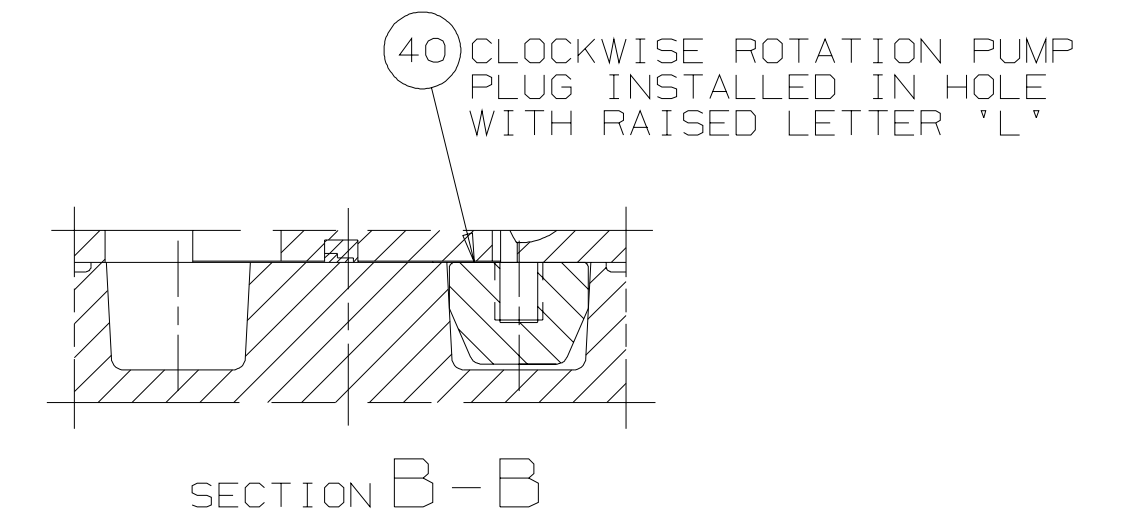
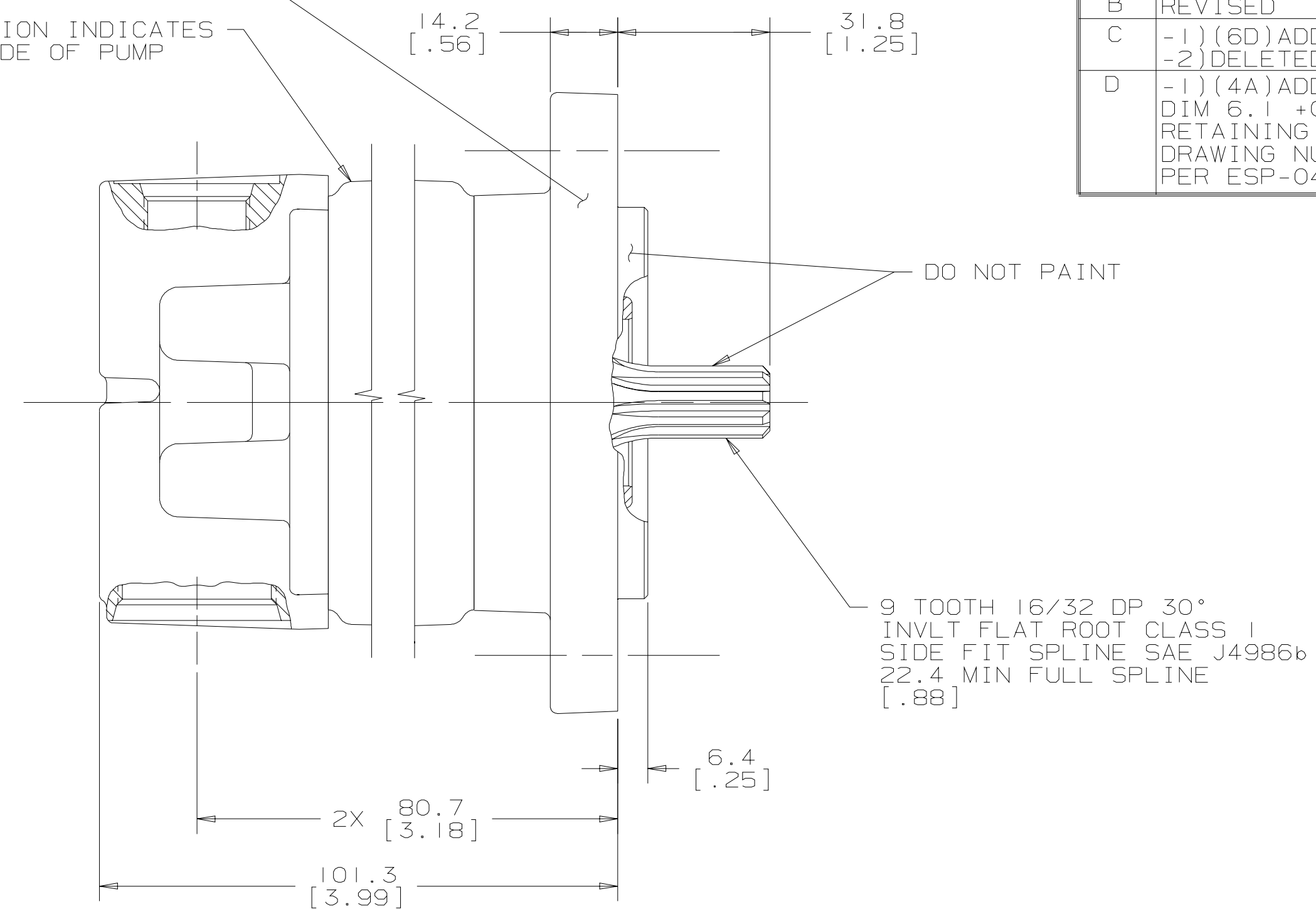


REV	DESCRIPTION	BY	CHK	DATE	ECN
A	ENGINEERING RELEASE	JLY	GCB	8-18-95	MI 3910
B	REVISED	JMS	DMK	11/8/95	27398
C	-1)(6D)ADDED NOTE "H" ON BODY SECTION... -2)DELETED BOLT MARKINGS -3)UPDATED BACKPLATE	WSM	WSM	11/27/98	31483
D	-1)(4A)ADDED NOTE 1 AND ADDED HEX FLAG TO ITEM 9, DIM 6.1 +0.3/-0.5 AND NOTE -2)(4B)DELETED ITEM 25 RETAINING RING -3)(1A)REMOVED "C" PREFIX TO THE DRAWING NUMBER -4)ADDED REVIEWED FOR CLASSIFICATION PER ESP-042	SKK	MKW	01-20-05	50249

MARK SERIAL CODE AND ASSY NO WITH
CHANGE LETTER APPROX HERE

"H" ON BODY SECTION INDICATES
HIGH PRESSURE SIDE OF PUMP



SECTION A-A

NOTE
 (D1) (H) PRESS ITEM 9 SEAL TO DIMENSION SHOWN

UNLESS OTHERWISE SPECIFIED ALL DIMENSIONS ARE IN
 INCHES MILLIMETERS

TOLERANCES
 .x ±.0005
 .xx ±.0010
 .xxx ±.0015
 < ±.0020

UNSPECIFIED RADI ARE
 UNSPECIFIED DRAFT ANGLES ARE

DRAWING FORMAT
 CAD MANUAL

THIRD ANGLE PROJECTION
 DO NOT SCALE

ARTHEMATICAL AVERAGE

DRAWING BASED ON ANSI Y14.5M-1982

THE REPRODUCTION, DISTRIBUTION, AND UTILIZATION OF THIS DOCUMENT, AS WELL AS THE COMMUNICATION OF ITS CONTENTS TO OTHERS WITHOUT EXPLICIT AUTHORIZATION IS PROHIBITED. OFFENDERS WILL BE HELD LIABLE FOR THE PAYMENT OF DAMAGES. ALL RIGHTS RESERVED IN THE EVENT OF THE GRANT OF A PATENT, UTILITY MODEL, OR DESIGN. (PER ISO 16016)

DRWN BY/DATE J L YCH 9-14-95
 CHECKED BY/DATE GCB 9-18-95
 ENGR BY/DATE RJA 9-19-95
 METALLURGY BY/DATE

MATERIAL/HEAT TREAT

TITLE
 GEAR PUMP ASSY/INSTALLATION

MICROINCHES [MICROMETERS] NUMBER
 26005-RAD

SCALE 1/1 SHEET 1 OF 1

REVIEWED FOR CLASSIFICATION PER ESP-042 G H

Danfoss