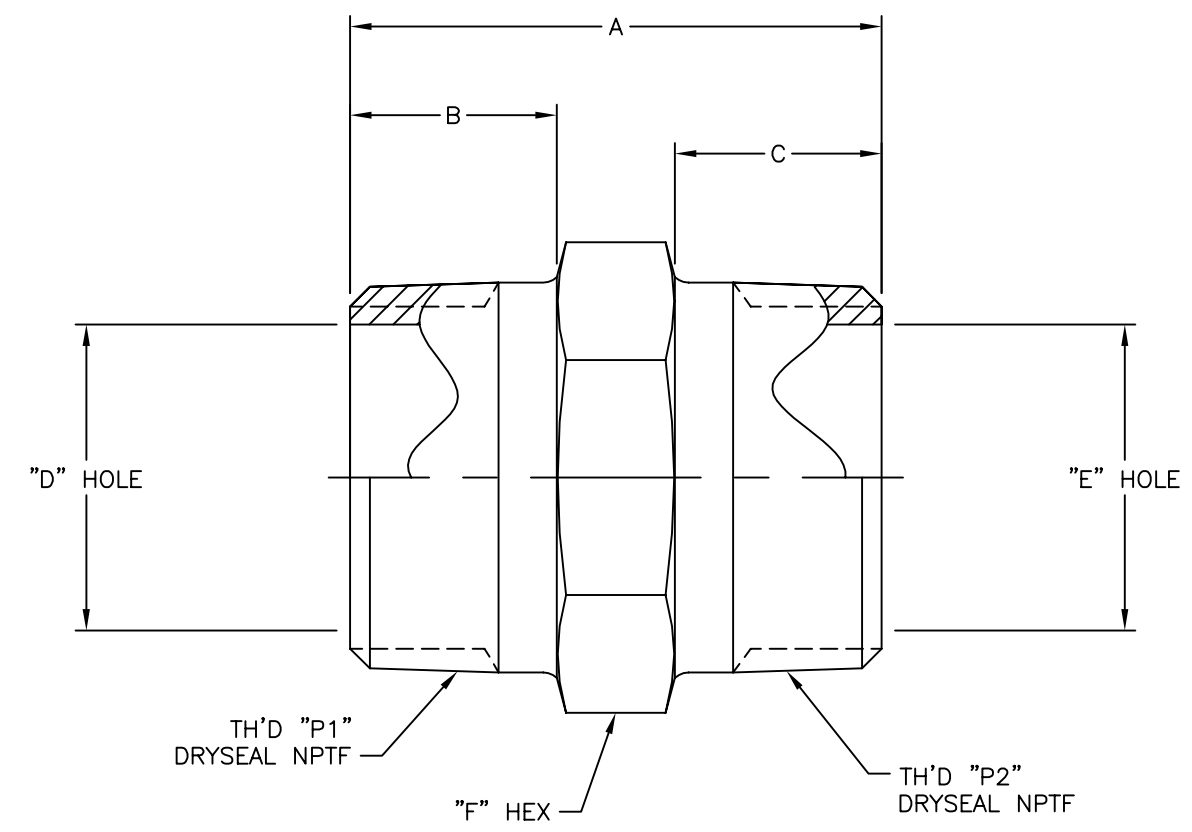


AEROQUIP PART NUMBER	WEATHERHEAD PART NUMBER	TH'D "P1"	TH'D "P1"	A REF	B REF	C REF	D REF	E REF	F REF (INCH)
259-2083-2-2	3081X2	1/8-27	1/8-27	26.9 [1.06]	10.2 [.40]	10.2 [.40]	4.8 [.19]	4.8 [.19]	7/16
259-2083-4-2	3081X4X2	1/4-18	1/8-27	32 [1.26]	14.7 [.58]	10.2 [.40]	7.1 [.28]	4.8 [.19]	5/8
259-2083-4-4	3081X4	1/4-18	1/4-18	36.8 [1.45]	14.7 [.58]	14.7 [.58]	7.1 [.28]	7.1 [.28]	5/8
259-2083-6-4	3081X6X4	3/8-18	1/4-18	36.8 [1.45]	14.7 [.58]	14.7 [.58]	10.4 [.41]	7.1 [.28]	3/4
259-2083-6-6	3081X6	3/8-18	3/8-18	36.8 [1.45]	14.7 [.58]	14.7 [.58]	10.4 [.41]	10.4 [.41]	3/4
259-2083-8-8	3081X8	1/2-14	1/2-14	48 [1.89]	19.3 [.76]	19.3 [.76]	13.5 [.53]	13.5 [.53]	7/8
259-2083-12-12	3081X12	3/4-14	3/4-14	49.8 [1.96]	19.3 [.76]	19.3 [.76]	18.3 [.72]	18.3 [.72]	1 1/8
259-2083-16-16	3081X16	1-11 1/2	1-11 1/2	59.4 [2.34]	24.4 [.96]	24.4 [.96]	23.9 [.94]	23.9 [.94]	1 3/8
259-2083-20-16	3081X20X16	1 1/4-11 1/2	1-11 1/2	62.2 [2.45]	24.9 [.98]	24.4 [.96]	31.8 [1.25]	23.9 [.94]	1 3/4
259-2083-20-20	3081X20X20	1 1/4-11 1/2	1 1/4-11 1/2	63 [2.48]	25 [.99]	25 [.99]	31.8 [1.25]	31.8 [1.25]	1 3/4
259-2083-24-24	3081X24X24	1 1/2-11 1/2	1 1/2-11 1/2	66.3 [2.61]	25.8 [1.02]	25.8 [1.02]	38.1 [1.50]	38.1 [1.50]	2

REVISIONS			
REV	DESCRIPTION	DATE	APPROVED
F	REDRAWN AND UPDATED TO DANFOSS FORMAT. 1) ADDED WEATHERHEAD PART NOS. 2) REACTIVATED PART # 259-2083-4-2.	2010-07-27 GPR/YPK	0045289-ECO DP-1299

F1



2. DIMENSIONS ARE IN MILLIMETERS [INCHES].
1. MATERIAL: AISI 316 STAINLESS STEEL.

DRAWN G. RAJPUT	Danfoss FLUID CONVEYANCE DIVISION		
CHECKED Y. KULKARNI			
APPROVED S. SMITH	DRAWING TITLE ADAPTER HEXAGON PIPE NIPPLE (SAE # 140137)		
RELEASE DATE 2010-07-27	SIZE A2	DRAWING NUMBER 259-2083	REV F
DP-1299	SCALE NONE	DIST U	CAGE CODE 01276
THIRD ANGLE PROJECTION	SHEET 1		
<small>THE REPRODUCTION, DISTRIBUTION AND UTILIZATION OF THIS DOCUMENT, AS WELL AS THE COMMUNICATION OF ITS CONTENTS TO OTHERS WITHOUT EXPLICIT AUTHORIZATION IS PROHIBITED. OFFENDERS WILL BE HELD LIABLE FOR THE PAYMENT OF DAMAGES. ALL RIGHTS RESERVED IN THE EVENT OF THE GRANT OF A PATENT, UTILITY MODEL OR DESIGN. (PER ISO 18016)</small>			

REV. F
SH. 1
DWG. NO. 259-2083