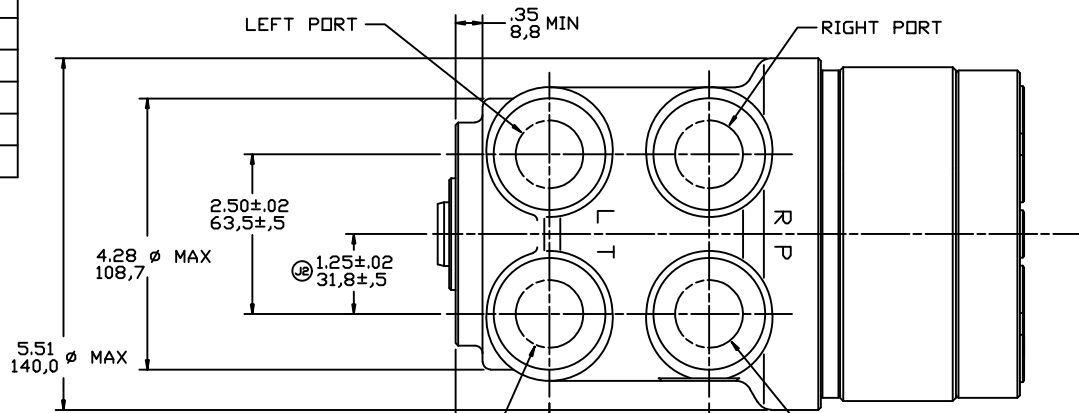
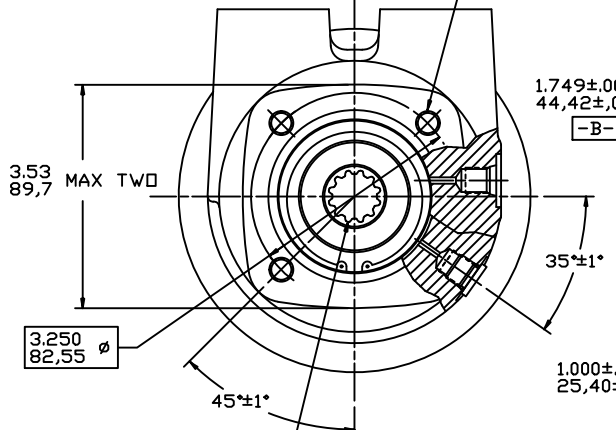


DISPL. CODE	DISPLACEMENT mL/r	Δ MAX
62	492	30
65	623	38
67	787	48
69	984	60
71	1230	75
74	1557	95

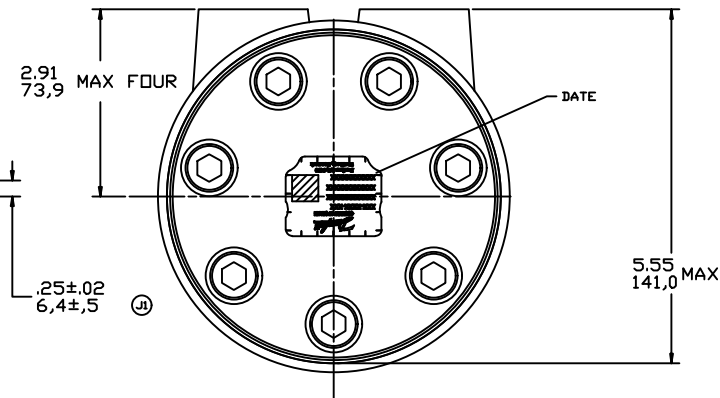
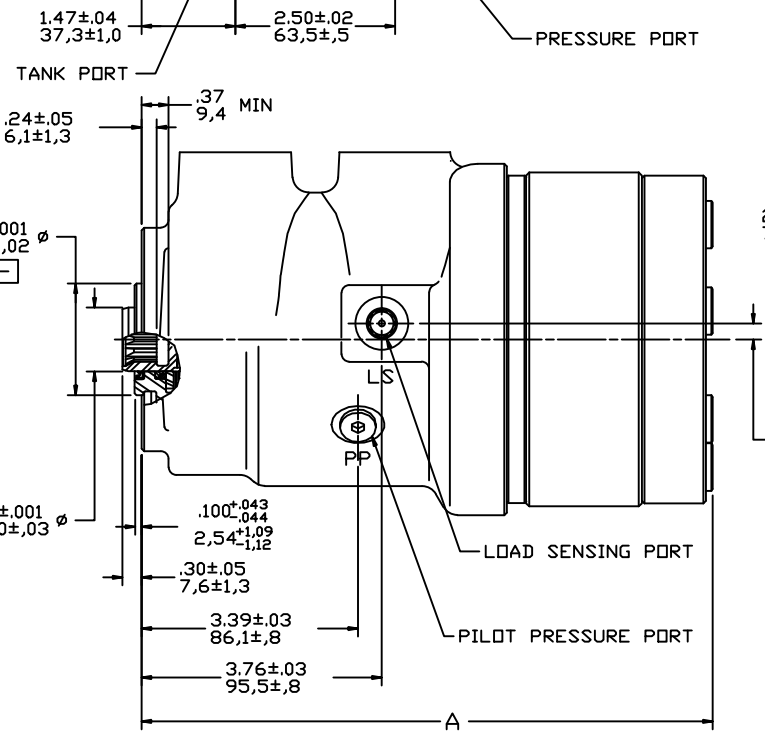


MOUNTING HOLES X .60/15,2 MIN. DP.

⌀ B	.015 / .38 ⌀
⌀	.010 / .25 ⌀
90° FOUR	



INVOLUTE SPLINE
12 TOOTH 16/32 D.P.
30° P.A. X DEPTH SHOWN
PER ENGRG. SPEC. DS-023-2



SYM	REVISION	BY	DATE	ECN
A	RELEASE FOR SAMPLES AND ESTIMATE	RVB	2-22-89	X3434
B	ENGINEERING RELEASE	FA	3-14-89	16459
C	-1X(D)5,51 140,0 MAX WAS 5,28 134,1 MAX -2X(B)5,55 141,0 MAX WAS 5,45 138,4 MAX -3X(C)2,91 73,9 MAX FOUR WAS 2,81 71,4 MAX FOUR	AGJ	3-24-89	21122
D	(8D) ADD TO DISPL CODE, ADD DISPLACEMENT TAB	RRV	3-24-89	22745
E	-1X(C) REMOVE GEROTOR TAB -2X(C) REMOVE 25°/27°, 21/5,4 MAX 2,90/73,7 MAX	BT	3-22-89	23334
F	-1X(B) REMOVE NOTE (D) O-RING PORTS PER ENGRG SPEC DS-010 -2X(A) REMOVE 1,0625-12UN-2B O-RING PORT FOUR (D) ADD PRESSURE PORT -3X(A) ADD RIGHT PORT -4X(D) ADD LEFT PORT -5X(C) ADD TANK PORT -6X(A) REMOVE .4375-20UNF-2B O-RING PORT (D) ADD LOAD SENSING PORT AND PILOT PRESSURE PORT -7X(B) MOUNTING HOLES X... WAS .375-16UNC-2B X...	LK	3-7-89	M11313A
G	PICTORIAL CHANGE TO CAPSCREWS	KLQ	11-29-89	28764
H	(2B) PICTORIAL CHANGE TO NEW NAMEPLATE	LMD	3-4-89	32543
J	-1 (3B) DIM 25±.02 / 6,4±.5 WAS 25±.01 / 6,4±.3 -2 (6C) DIM 1,25±.02 / 31,8±.5 WAS 1,25±.01 / 31,8±.3	VUG	11-29-89	0052283

THE REPRODUCTION, DISTRIBUTION AND UTILIZATION OF THIS DOCUMENT AS WELL AS THE COMMUNICATION OF ITS CONTENTS TO OTHER WITHOUT EXPLICIT AUTHORIZATION IS PROHIBITED. OFFENDERS WILL BE HELD LIABLE FOR THE PAYMENT OF DAMAGES. ALL RIGHTS RESERVED IN THE EVENT OF THE GRANT OF A PATENT, UTILITY MODEL OR DESIGN (PER ISO 16016)



DRAWN BY/DATE	RVB 2-8-89	TITLE	SERIES 25 SCU OUTLINE
CHECKED BY/DATE	KQ 5-1-89		
ENGR BY/DATE	DH 5-4-89	DO NOT SCALE	
THIRD ANGLE	LINEAR MEASUREMENT IN/MM	NUMBER	A-93-027
PROJECTION	SURFACE TEXTURE MICRO/MICRO INCH / METER	SCALE FULL SIZE	SHEET 1 OF 1