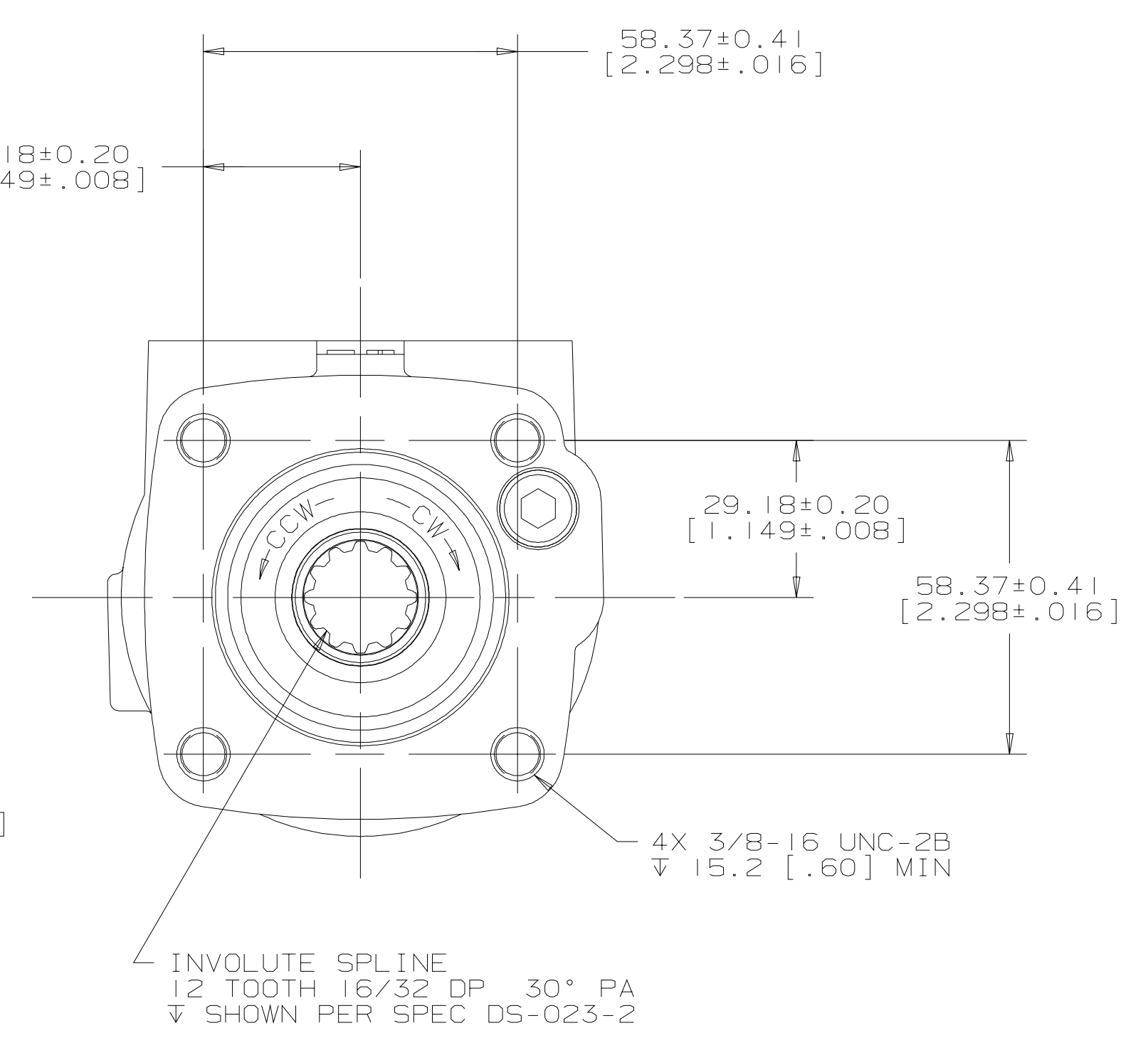
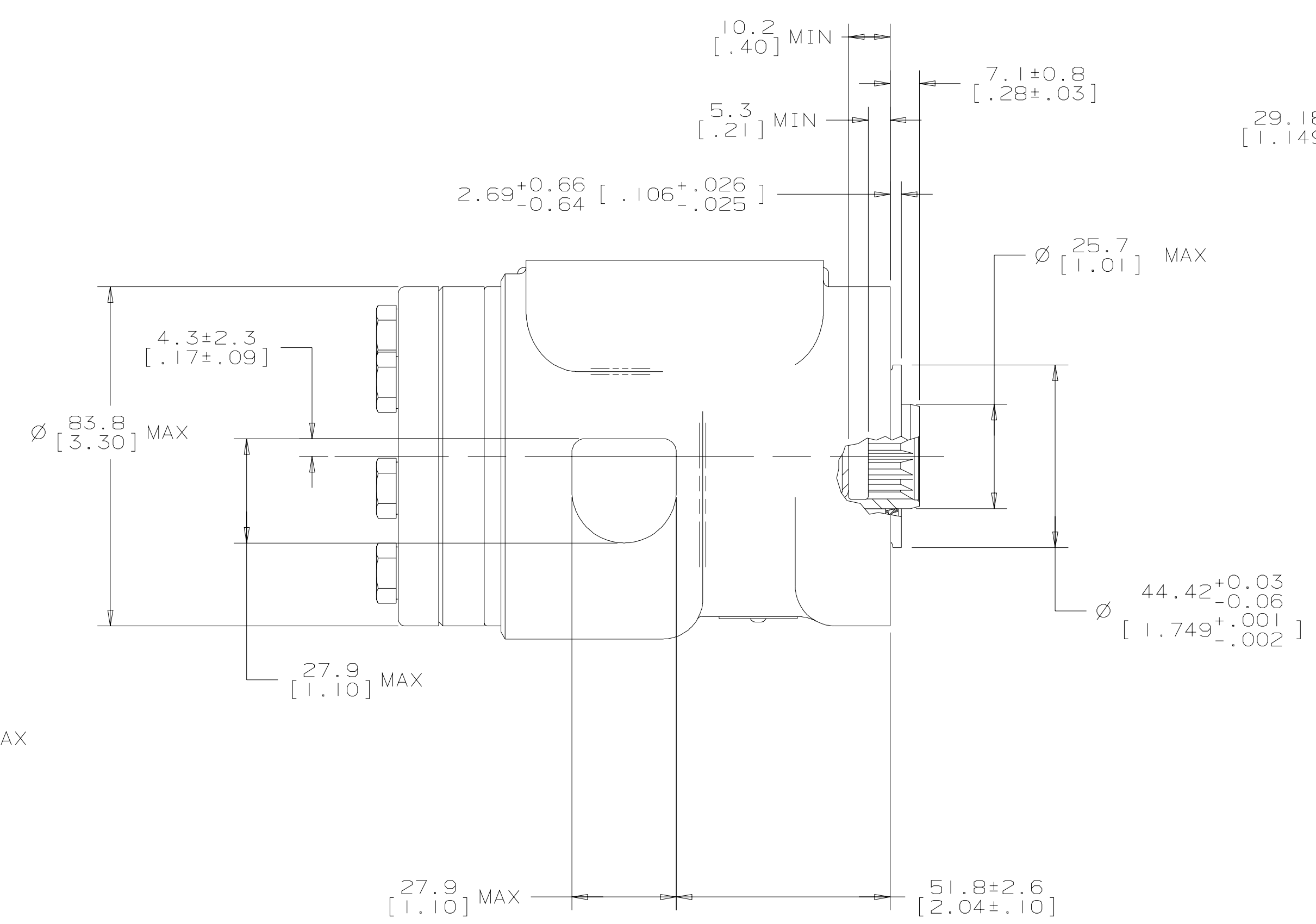
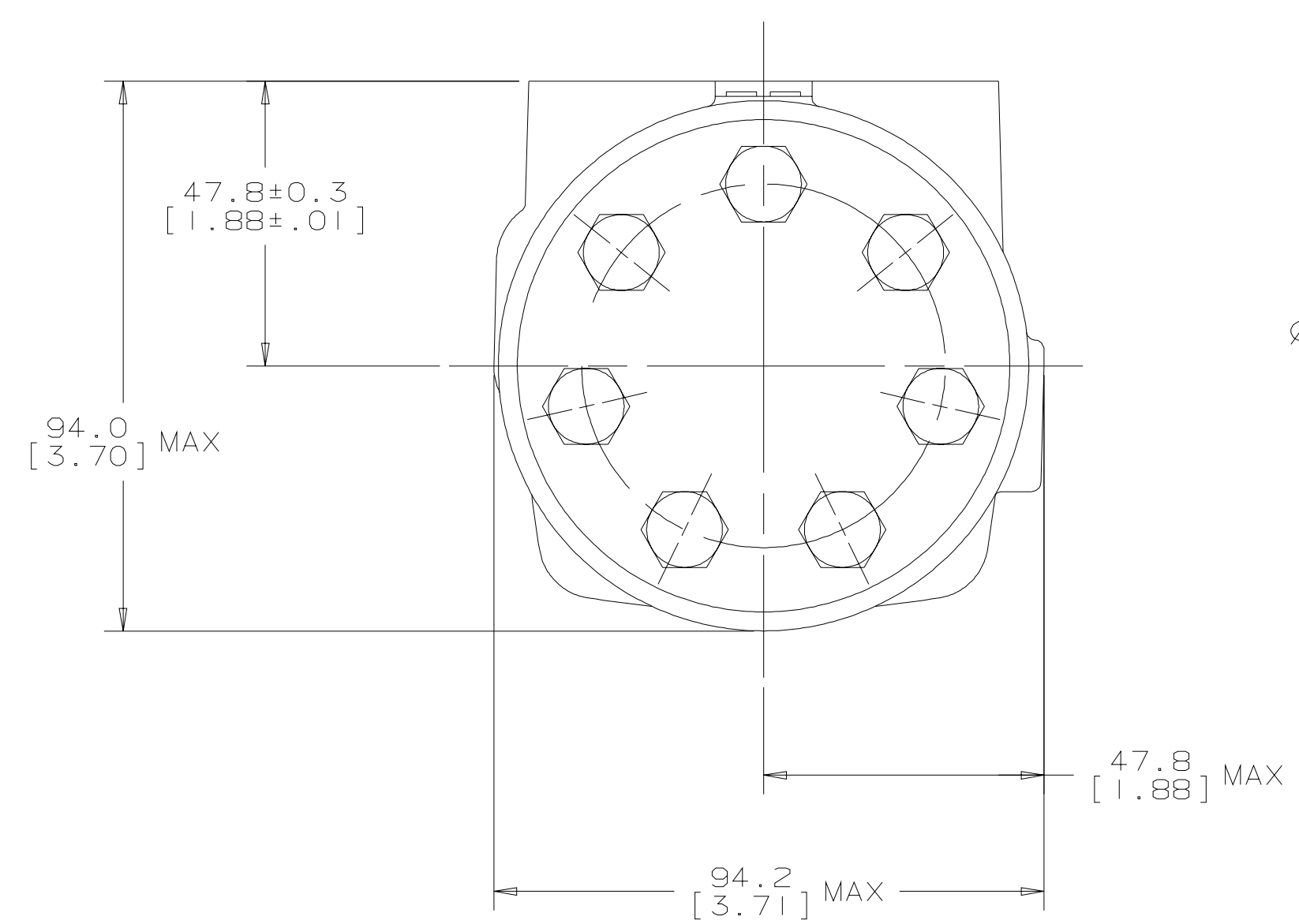
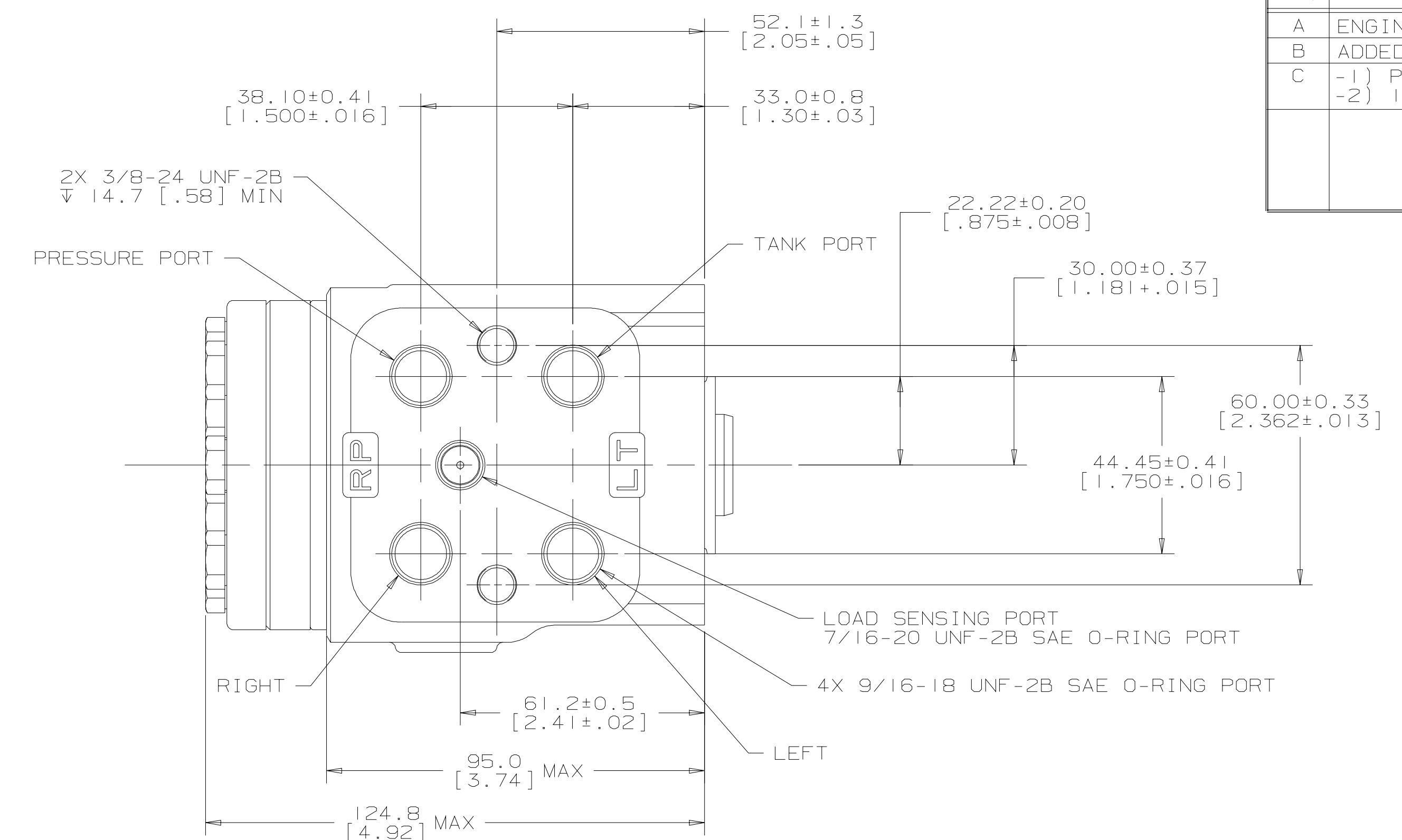


REV	DESCRIPTION	BY	CHK	DATE	ECN
A	ENGINEERING RELEASE	JSH		10-6-95	M14181
B	ADDED NOTE 1	LMD		8-7-96	M15932
C	-1) PICTORIAL CHANGE TO CAPSCREWS -2) 124.8 [4.92] WAS 127.6 [5.03]	BRO		6-29-98	30649



NOTE
 1 INLET RELIEF VALVE SET AT 83 +7/-0 bar [1200 +100/-0 lbf/in²]

UNLESS OTHERWISE SPECIFIED ALL DIMENSIONS ARE IN INCHES <input type="checkbox"/> MILLIMETERS <input checked="" type="checkbox"/>		DRAWING BASED ON ANSI Y14.5M-1982	
TOLERANCES .X +--- .XX +--- .XXX +--- < +---		THE REPRODUCTION, DISTRIBUTION, AND UTILIZATION OF THIS DOCUMENT, AS WELL AS THE COMMUNICATION OF ITS CONTENTS TO OTHERS WITHOUT EXPLICIT AUTHORIZATION IS PROHIBITED. OFFENDERS WILL BE HELD LIABLE FOR THE PAYMENT OF DAMAGES. ALL RIGHTS RESERVED IN THE EVENT OF THE GRANT OF A PATENT, UTILITY MODEL, OR DESIGN. (PER ISO 18016)	
UNSPECIFIED RADI ARE ---		DRWN BY/DATE JSH 10-27-95	MATERIAL/HEAT TREAT
UNSPECIFIED DRAFT ANGLES ARE ---		CHECKED BY/DATE KO 10-31-95	
DRAWING FORMAT CAD <input checked="" type="checkbox"/> MANUAL <input type="checkbox"/>		ENGR BY/DATE JW 10-31-95	TITLE STEERING CONTROL UNIT INSTALLATION
THIRD ANGLE PROJECTION		METALLURGY BY/DATE	NUMBER 243-4022-002
DO NOT SCALE		ARITHMETICAL AVERAGE	SCALE 1/1 SHEET 1 OF 1

MRS G

