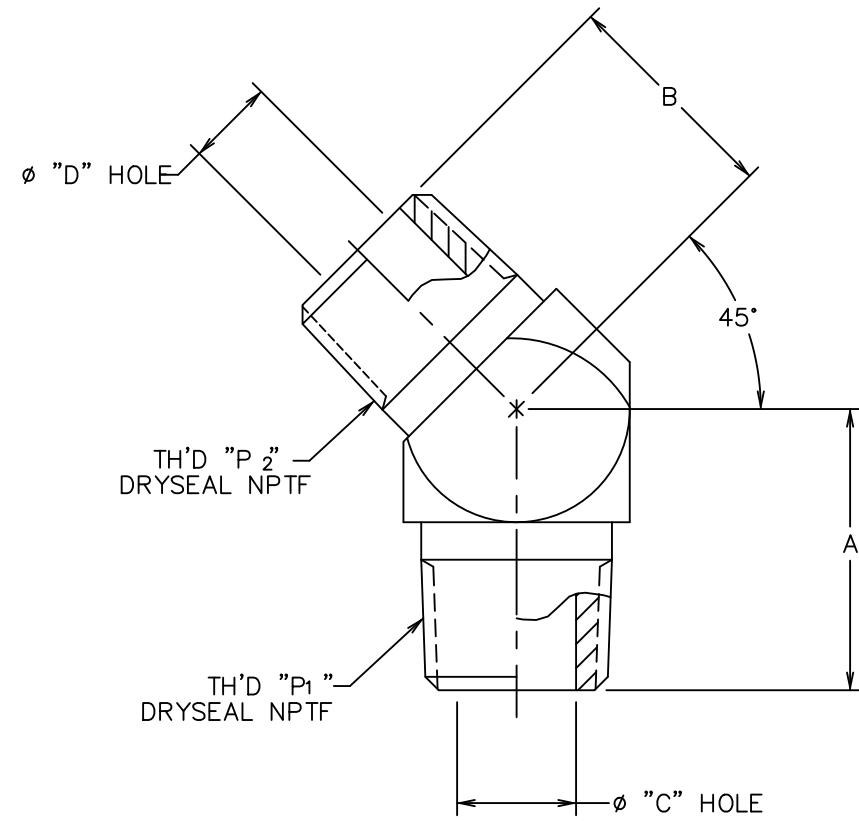


PART NUMBER	TH'D "P1"	TH'D "P2"	A REF	B REF	C REF	D REF
2247-20-20S	1 1/4-11 1/2	1 1/4-11 1/2	39.1 [1.54]	47.8 [1.88]	31.75 [1.25]	31.8 [1.25]

①

REVISIONS			
REV	DESCRIPTION	DATE	APPROVED
T	REDRAWN, UPDATED TO DANFOSS FORMAT. 1) REMOVED PART #2247-2-2S.	2010-05-28 SJM/AGV	0013773-ECO DP-1299



METRIC

1. DIMENSIONS ARE IN MILLIMETERS [INCHES].

DRAWN S. MANE	Danfoss FLUID CONVEYANCE DIVISION		
CHECKED A. VARANKAR	DRAWING TITLE ADAPTER 45° EXTERNAL PIPE ELBOW		
APPROVED J. LUGINBILL	SIZE A2	DRAWING NUMBER 2247-S	REV T
RELEASE DATE 2010-05-28	SCALE NONE	DIST U	CAGE CODE 01276
0013773-ECO	SHEET 1		
DP-1299	THE REPRODUCTION, DISTRIBUTION AND UTILIZATION OF THIS DOCUMENT AS WELL AS THE COMMUNICATION OF ITS CONTENTS TO OTHERS WITHOUT EXPLICIT AUTHORIZATION IS PROHIBITED. OFFENDERS WILL BE HELD LIABLE FOR THE PAYMENT OF DAMAGES. ALL RIGHT RESERVED IN THE EVENT OF THE GRANT OF A PATENT, UTILITY MODEL OR DESIGN. (PER ISO 16016)		

DWG.NO. 2247-S
SH. 1
REV. T