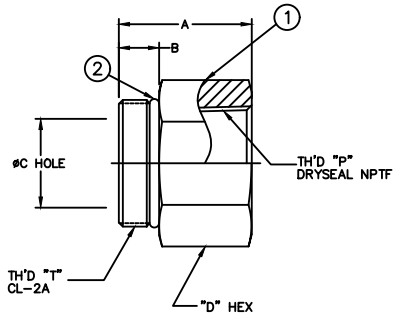


PART NUMBER	WEATHERHEAD CATALOG NUMBER	TH'D P	TH'D T	A REF	B REF	C REF	D REF
2216-2-4S	C3269X4X2	1/8-27	7/16-20	23.4 [.92]	9.1 [.36]	4.3 [.17]	9/16
2216-2-5S	C3269X5X2	1/8-27	1/2-20	31 [1.22]	9.1 [.36]	5.8 [.23]	5/8
2216-2-6S	C3269X6X2	1/8-27	9/16-18	25.8 [1.02]	9.9 [.39]	7.6 [.30]	3/4
2216-2-8S	C3269X8X2	1/8-27	3/4-16	28.4 [1.12]	11.2 [.44]	9.9 [.39]	7/8
2216-4-4S	C3269X4X4	1/4-18	7/16-20	30.5 [1.20]	9.1 [.36]	4.3 [.17]	3/4
2216-4-5S	C3269X5X4	1/4-18	1/2-20	30.5 [1.20]	9.1 [.36]	5.8 [.23]	3/4
2216-4-6S	C3269X6X4	1/4-18	9/16-18	31.5 [1.24]	9.9 [.39]	7.6 [.30]	3/4
2216-4-8S	C3269X8X4	1/4-18	3/4-16	26.9 [1.06]	11.2 [.44]	10.7 [.42]	7/8
2216-4-10S	C3269X10X4	1/4-18	7/8-14	20.6 [.81]	12.7 [.50]	10.7 [.42]	1
2216-6-4S	C3269X4X6	3/8-18	7/16-20	32.8 [1.29]	9.1 [.36]	4.3 [.17]	7/8
2216-6-6S	C3269X6X6	3/8-18	9/16-18	33.0 [1.30]	9.9 [.39]	7.6 [.30]	7/8
2216-6-8S	C3269X8X6	3/8-18	3/4-16	31.7 [1.25]	11.2 [.44]	9.9 [.39]	7/8
2216-6-10S	C3269X10X6	3/8-18	7/8-14	31.7 [1.25]	12.7 [.50]	12.2 [.48]	1
2216-6-12S	C3269X12X6	3/8-18	1 1/16-12	34.0 [1.34]	15.0 [.59]	13.5 [.53]	1 1/4
2216-8-6S	C3269X6X8	1/2-14	9/16-18	37.1 [1.46]	9.9 [.39]	7.6 [.30]	1 1/8
2216-8-8S	C3269X8X8	1/2-14	3/4-16	41.9 [1.65]	11.2 [.44]	9.9 [.39]	1 1/16
2216-8-10S	C3269X10X8	1/2-14	7/8-14	39.1 [1.54]	12.7 [.50]	12.2 [.48]	1 1/16
2216-8-12S	C3269X12X8	1/2-14	1 1/16-12	43.7 [1.72]	15.0 [.59]	15.5 [.61]	1 1/4
2216-8-16S	C3269X16X8	1/2-14	1 5/16-12	25.4 [1.00]	15.0 [.59]	17.5 [.69]	1 1/2
2216-12-10S	C3269X10X12	3/4-14	7/8-14	45.0 [1.77]	12.7 [.50]	12.2 [.48]	1 5/16
2216-12-12S	C3269X12X12	3/4-14	1 1/16-12	42.4 [1.67]	15.0 [.59]	15.5 [.61]	1 5/16
2216-12-14S	C3269X14X12	3/4-14	1 3/16-12	42.7 [1.68]	15.0 [.59]	18.3 [.72]	1 3/8
2216-12-16S	C3269X16X12	3/4-14	1 5/16-12	25.4 [1.00]	15.0 [.59]	22.6 [.89]	1 1/2
2216-16-16S	C3269X16X16	1-11 1/2	1 5/16-12	48.5 [1.91]	15.0 [.59]	21.3 [.84]	1 5/8
2216-16-20S	C3269X20X16	1-11 1/2	1 5/8-12	25.4 [1.00]	15.0 [.59]	28.4 [1.12]	1 7/8
2216-16-24S	C3269X24X16	1-11 1/2	1 7/8-12	51.3 [2.02]	15.0 [.59]	26.9 [1.06]	2 1/8
2216-20-20S	C3269X20X20	1 1/4-11 1/2	1 5/8-12	50.8 [2.00]	15.0 [.59]	27.4 [1.08]	2
2216-24-24S	C3269X24X24	1 1/2-11 1/2	1 7/8-12	50.8 [2.00]	15.0 [.59]	33.3 [1.31]	2 3/8
2216-32-32S	C3269X32X32	2-11 1/2	2 1/2-12	53.3 [2.10]	15.0 [.59]	45.2 [1.78]	2 7/8
2216-12-20S	C3269X20X12	3/4-14	1 5/8-12	45.0 [1.77]	15.0 [.59]	27.4 [1.08]	1 7/8
2216-20-24S	C3269X24X20	1 1/4-11 1/2	1 7/8-12	51.3 [2.02]	15.0 [.59]	33.3 [1.31]	2 1/8

REVISIONS			
REV.	DESCRIPTION	DATE	APPROVED
W	REDRAWN. 1) ADDED PART 2216-2-8S. 2) REMOVED PART 2216-8-14S. 3) C3269X8X2 WAS C3249X8X2. C3269X6X2 WAS C3249X6X2. C3269X20X12 WAS C3249X20X12. C3269X24X20 WAS C3249X24X20	2011-10-05 ADM/DHS	0059201-ECD DP-1299
Y	ADDED PART 2216-4-8S.	2016-06-14	0123635-ECD VVS/SBD RPS 20657



1. DIMENSIONS ARE IN MILLIMETERS [INCHES].

METRIC

2216-20-24S	C3269X24X20	2216-1-20-24S	22617-24
2216-12-20S	C3269X20X12	2216-1-12-20S	22617-20
2216-32-32S	C3269X32X32	2216-1-32-32S	22617-32
2216-24-24S	C3269X24X24	2216-1-24-24S	22617-24
2216-20-20S	C3269X20X20	2216-1-20-20S	22617-20
2216-16-24S	C3269X24X16	2216-1-16-24S	22617-24
2216-16-20S	C3269X20X16	2216-1-16-20S	22617-20
2216-16-16S	C3269X16X16	2216-1-16-16S	22617-16
2216-12-16S	C3269X16X12	2216-1-12-16S	22617-16
2216-12-14S	C3269X14X12	2216-1-12-14S	22617-14
2216-12-12S	C3269X12X12	2216-1-12-12S	22617-12
2216-12-10S	C3269X10X12	2216-1-12-10S	22617-10
2216-8-16S	C3269X16X8	2216-1-8-16S	22617-16
2216-8-12S	C3269X12X8	2216-1-8-12S	22617-12
2216-8-10S	C3269X10X8	2216-1-8-10S	22617-10
2216-8-8S	C3269X8X8	2216-1-8-8S	22617-8
2216-8-6S	C3269X6X8	2216-1-8-6S	22617-6
2216-6-12S	C3269X12X6	2216-1-6-12S	22617-12
2216-6-10S	C3269X10X6	2216-1-6-10S	22617-10
2216-6-8S	C3269X8X6	2216-1-6-8S	22617-8
2216-6-6S	C3269X6X6	2216-1-6-6S	22617-6
2216-6-4S	C3269X4X6	2216-1-6-4S	22617-4
2216-4-10S	C3269X10X4	2216-1-4-10S	22617-10
2216-4-8S	C3269X8X4	2216-1-4-8S	22617-8
2216-4-6S	C3269X6X4	2216-1-4-6S	22617-6
2216-4-5S	C3269X5X4	2216-1-4-5S	22617-5
2216-4-4S	C3269X4X4	2216-1-4-4S	22617-4
2216-2-8S	C3269X8X2	2216-1-2-8S	22617-8
2216-2-6S	C3269X6X2	2216-1-2-6S	22617-6
2216-2-5S	C3269X5X2	2216-1-2-5S	22617-5
2216-2-4S	C3269X4X2	2216-1-2-4S	22617-4
PART NUMBER	WEATHERHEAD CATALOG NUMBER	1 ADAPTER	2 O'RING

LIST OF MATERIALS		DRAWING INFORMATION	
ITEM NO.	MATERIAL	DRAWN	A. MHASKE
1	STEEL	CHECKED	J. SENEWALE
2	NITRILE(BUNA-N)	APPROVED	J. SNYDER
		RELEASE DATE	2011-10-05
		0059201-ECD	
		DP-1299	
		THIRD ANGLE PROJECTION	
		SCALE	NONE
		DIST	U
		SHEET	01276
		REV	Y

THE REPRODUCTION, DISTRIBUTION AND UTILIZATION OF THIS DOCUMENT AS WELL AS THE COMMUNICATION OF ITS CONTENTS TO OTHERS WITHOUT EXPLICIT AUTHORIZATION IS PROHIBITED. OFFENDERS WILL BE HELD LIABLE FOR THE PAYMENT OF DAMAGES. ALL RIGHTS RESERVED IN THE EVENT OF THE GRANT OF A PATENT, UTILITY MODEL OR DESIGN. (PER ISO 10166)