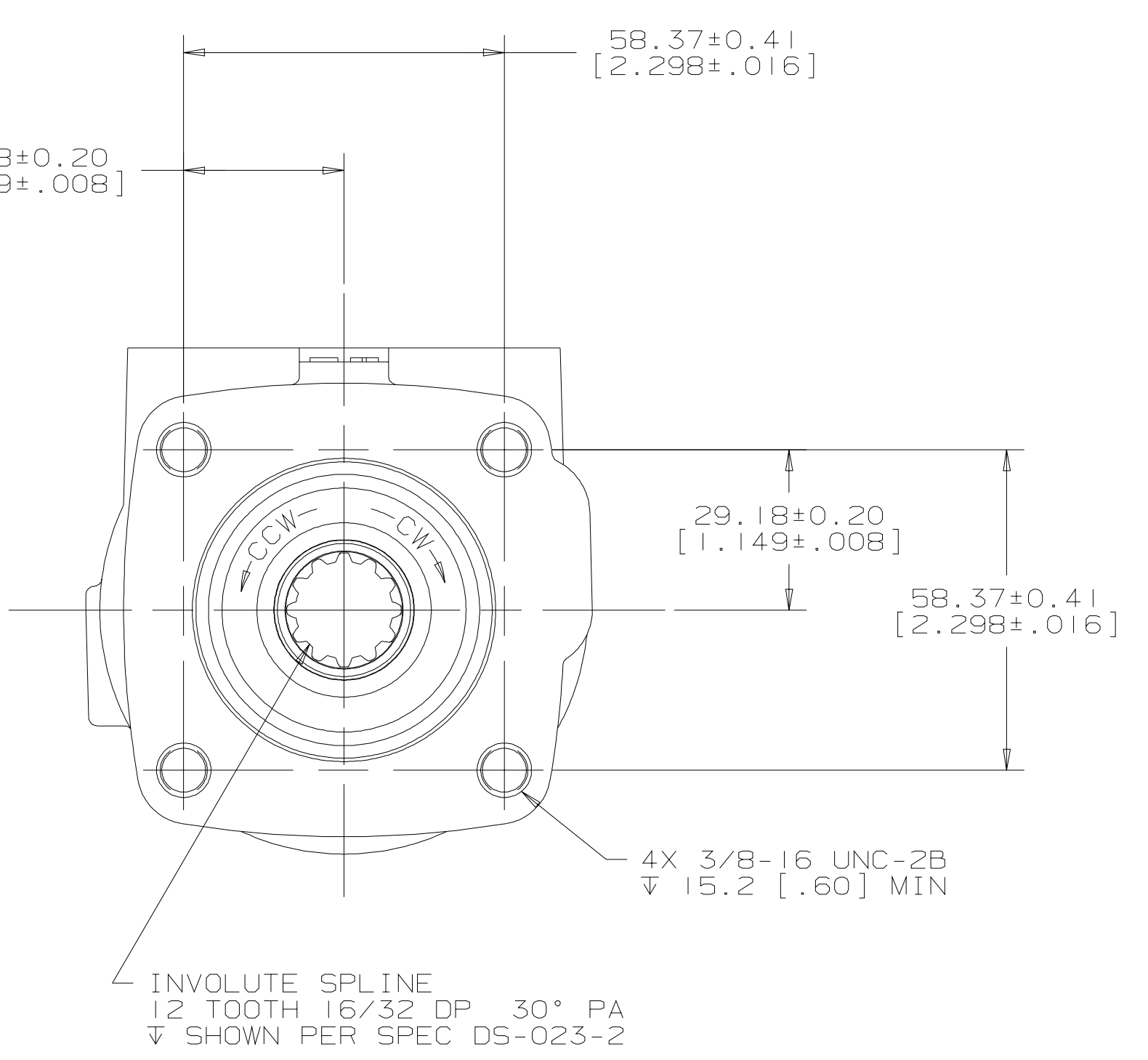
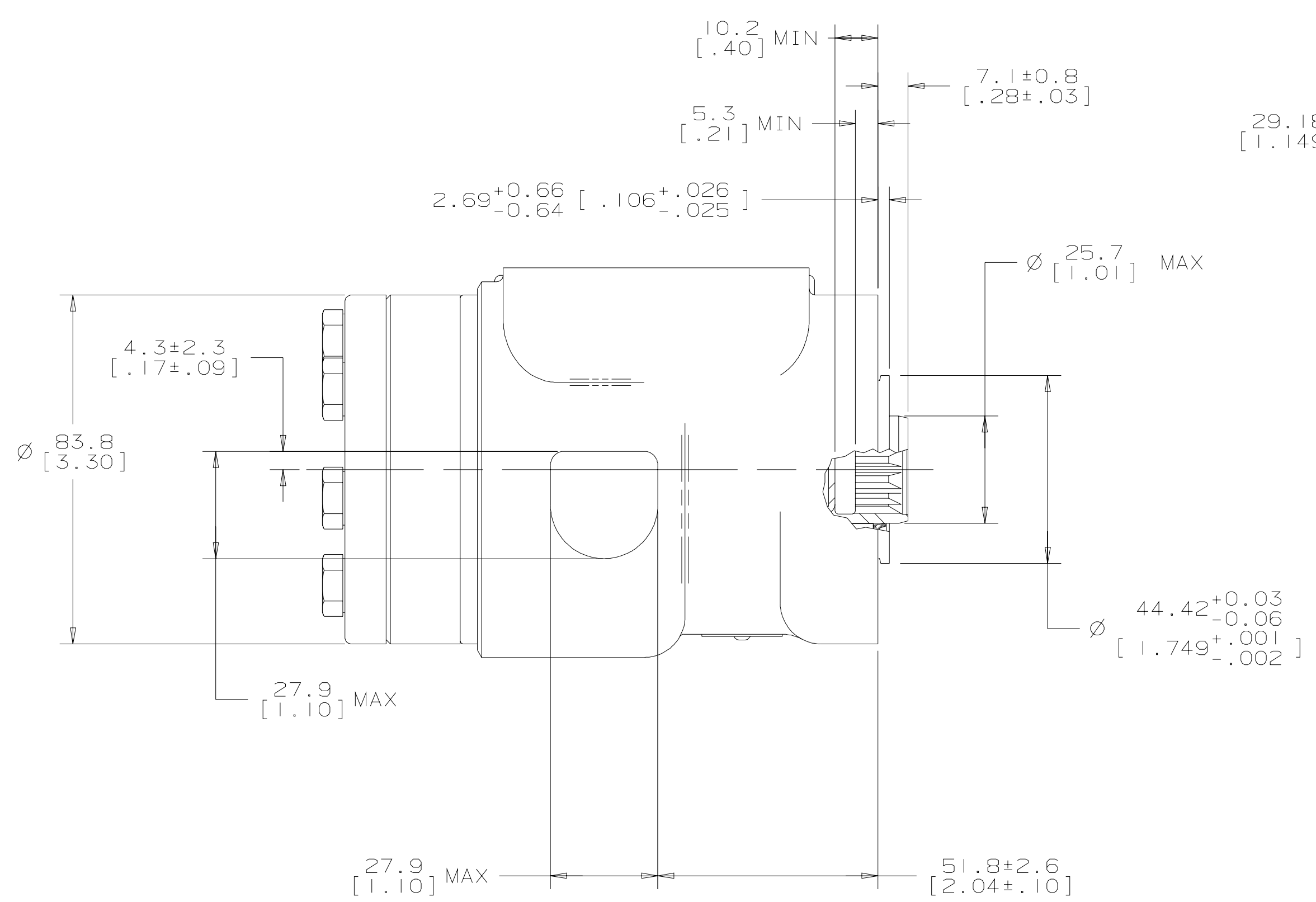
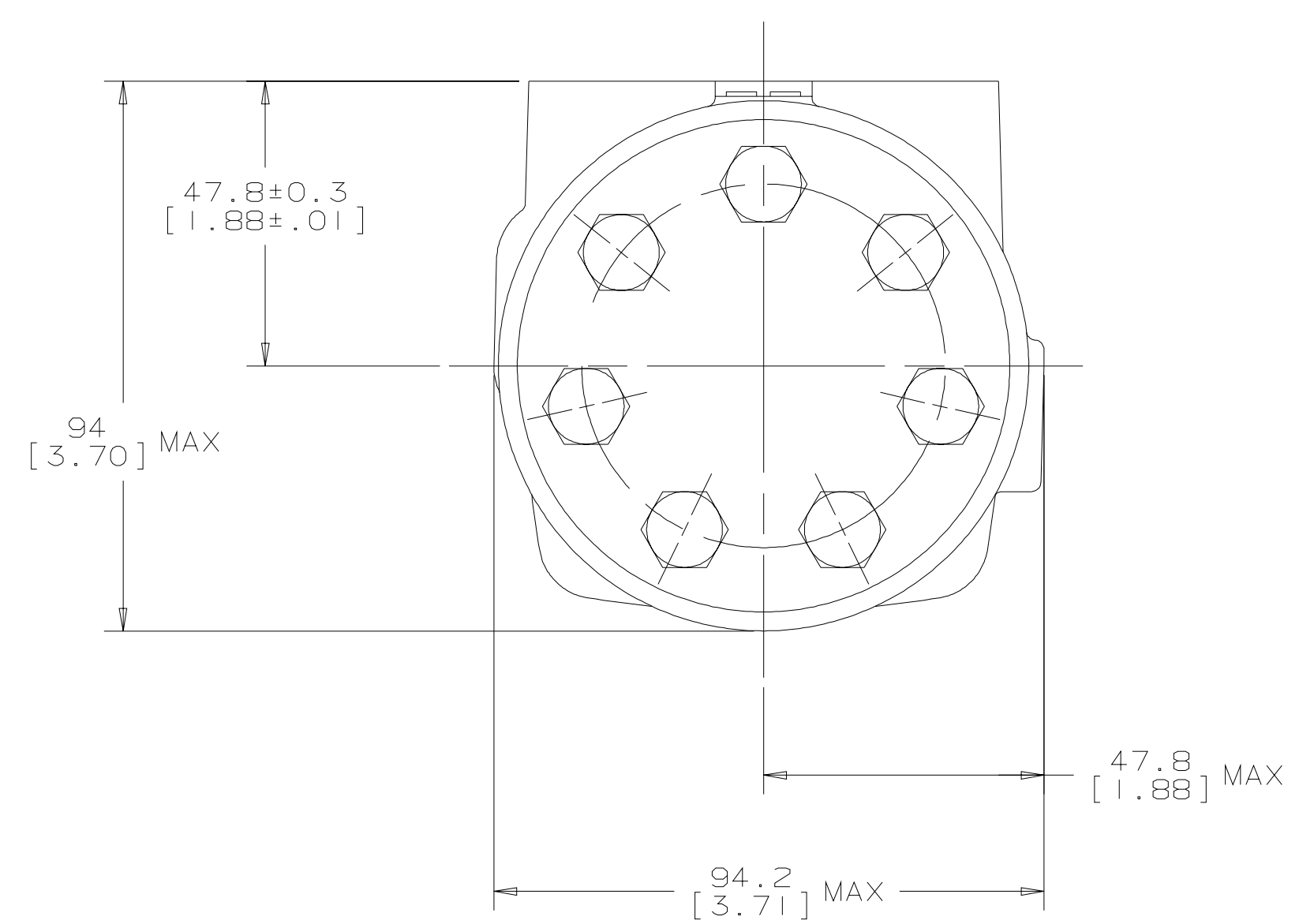
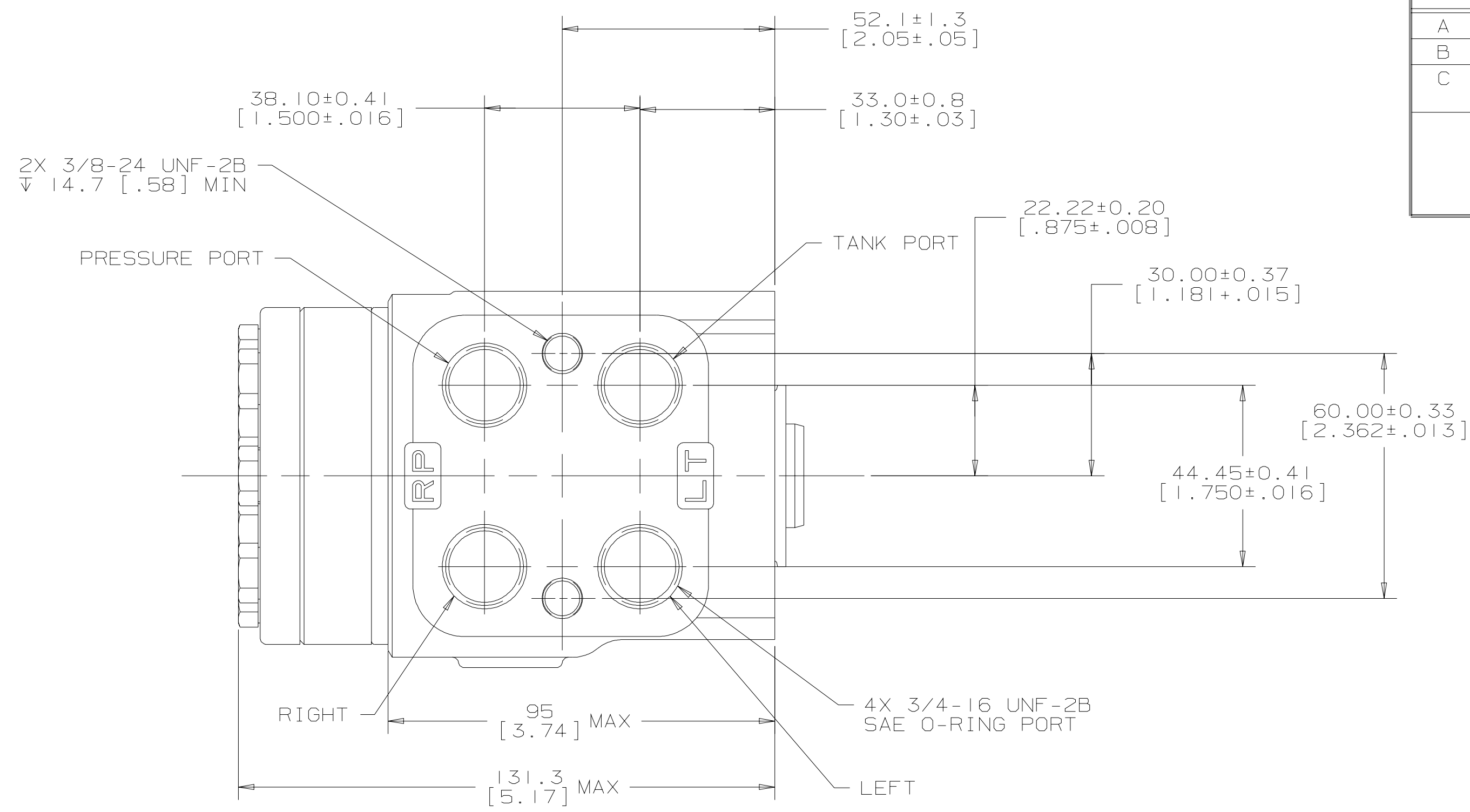


REV	DESCRIPTION	BY	DATE	ECN
A	ENGINEERING RELEASE	KLO	12/03/96	M16530
B	PICTORIALLY CHANGED RIGHT SIDE VIEW	BRO	4-21-98	30650
C	-1) PICTORIAL CHANGE TO CAPSCREWS -2) 131.3 [5.17] WAS 134 [5.28]	BRO	6-29-98	30649



G M R S

UNLESS OTHERWISE SPECIFIED ALL DIMENSIONS ARE IN INCHES <input type="checkbox"/> MILLIMETERS <input checked="" type="checkbox"/>		DRAWING BASED ON ANSI Y14.5M-1982	
TOLERANCES .X ± .XX ± .XXX ± ∠ ±		THE REPRODUCTION, DISTRIBUTION, AND UTILIZATION OF THIS DOCUMENT, AS WELL AS THE COMMUNICATION OF ITS CONTENTS TO OTHERS WITHOUT EXPLICIT AUTHORIZATION IS PROHIBITED. OFFENDERS WILL BE HELD LIABLE FOR THE PAYMENT OF DAMAGES. ALL RIGHTS RESERVED IN THE EVENT OF THE GRANT OF A PATENT, UTILITY MODEL, OR DESIGN. (PER ISO 16016)	
UNSPECIFIED RADI ARE -		DRWN BY/DATE KLO 12-05-96	MATERIAL/HEAT TREAT
UNSPECIFIED DRAFT ANGLES ARE -		CHECKED BY/DATE LMD 12-5-96	
DRAWING FORMAT CAD <input checked="" type="checkbox"/> MANUAL <input type="checkbox"/>		ENGR BY/DATE IR 12-5-96	TITLE STEERING CONTROL UNIT INSTALLATION
THIRD ANGLE PROJECTION		METALLURGY BY/DATE	NUMBER 211-1009-002
DO NOT SCALE		ARITHMETICAL AVERAGE	SCALE 1/1 SHEET 1 OF 1

