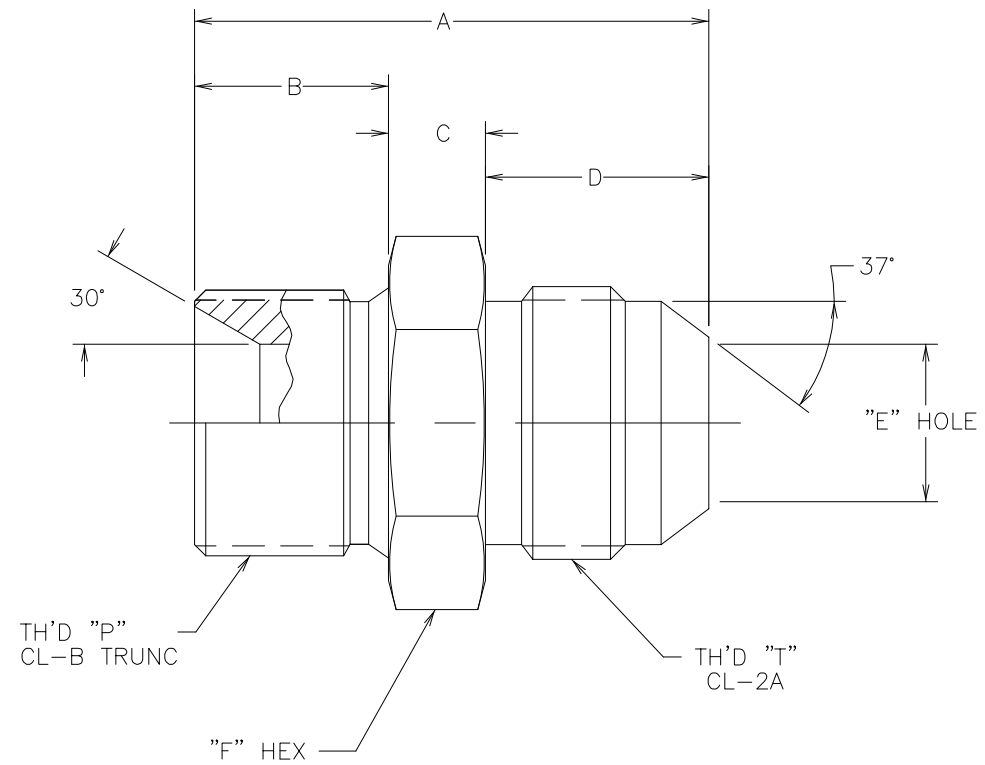


PART NUMBER	TH'D "P"	TH'D "T"	A REF	B REF	C REF	D REF	E REF	F REF
2063-2-4S	G1/8	7/16-20	1.38	.45	.38	.55	.17	.56
2063-4-4S	G1/4	7/16-20	1.38	.45	.38	.55	.17	.75
2063-4-5S	G1/4	1/2-20	1.38	.45	.38	.55	.23	.75
2063-4-6S	G1/4	9/16-18	1.38	.45	.38	.56	.17	.75
2063-6-4S	G3/8	7/16-20	1.42	.50	.38	.55	.17	.88
2063-6-6S	G3/8	9/16-18	1.43	.50	.38	.56	.30	.88
2063-6-8S	G3/8	3/4-16	1.53	.50	.38	.66	.30	.88
2063-8-8S	G1/2	3/4-16	1.63	.60	.38	.66	.39	1.06
2063-8-10S	G1/2	7/8-14	1.73	.60	.38	.76	.39	1.12
2063-10-12S	G5/8	1 1/16-12	1.94	.70	.38	.86	.50	1.25
2063-12-10S	G3/4	7/8-14	1.88	.75	.38	.76	.48	1.25
2063-12-12S	G3/4	1 1/16-12	1.99	.75	.38	.86	.61	1.25
2063-16-16S	G1	1 5/16-12	2.09	.80	.38	.91	.84	1.62

REVISIONS			
REV.	DESCRIPTION	DATE	APPROVED
J	REDRAWN - LAST REV. "H" REVISED DIMENSIONS TO AGREE WITH DETAIL DRAWINGS	9-3-93	EN-F14206 DAI-17511
K	(1) PART NOS REMOVED 2063-20-20S 2063-24-24S	2005-08-18 YPK/KBM	EN-F28383 DP-1639

(K)
1



CONVERTED DRAWING CADAM to AutoCAD 8/98

1. MATERIAL: STEEL.

THE REPRODUCTION, DISTRIBUTION AND UTILIZATION OF THIS DOCUMENT AS WELL AS THE COMMUNICATION OF ITS CONTENTS TO OTHER WITHOUT EXPLICIT AUTHORIZATION IS PROHIBITED. OFFENDERS WILL BE HELD LIABLE FOR THE PAYMENT OF DAMAGES. ALL RIGHT RESERVED IN THE EVENT OF THE GRANT OF A PATENT, UTILITY MODEL OR DESIGN. (PER ISO 16016)

DRAWN M. BEARDMORE	DATE 9-3-93	Danfoss FLUID CONVEYANCE DIVISION
CHECKED R.D. GARRETT	DATE 9-8-93	
APPROVED R.D. GARRETT	DATE 9-8-93	DRAWING TITLE
RELEASED EN-F14206	DATE 9-8-93	ADAPTER MALE BSP TO SAE 37° MALE FLARE
PROJECT NO. DAI-17511	APC NO.	SIZE (CAGE) CODE NO. DRAWING NUMBER
DESIGN APPROVED		C 01276 2063-S
APPROVED		U SHEET

DWG. NO. 2063-S REV. K SH. K