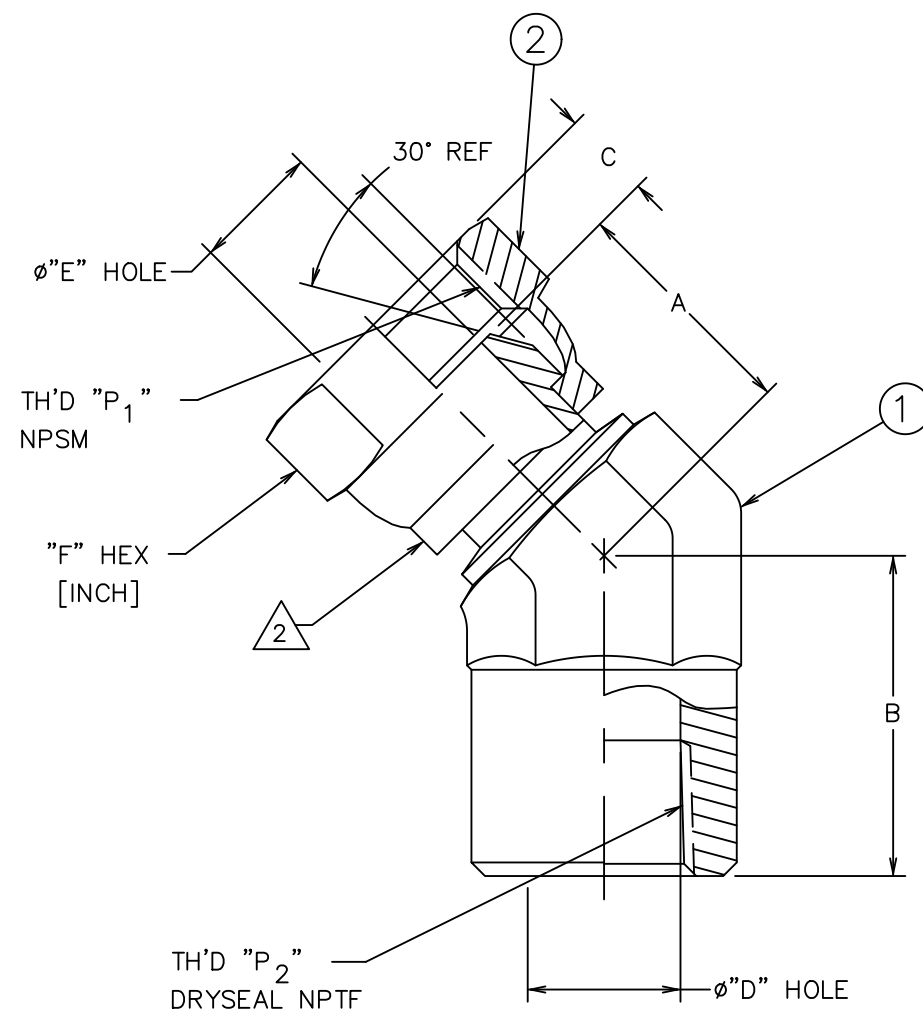


WEATHERHEAD PART NUMBER	AEROQUIP PART NUMBER	TH'D "P <sub>1</sub> "	TH'D "P <sub>2</sub> "	A REF	B REF	C REF	D REF	E REF	F REF
9385X2X2	2050-2-2S	1/8-27	1/8-27	15.7 [.62]	12.7 [.50]	4.8 [.19]	7.4 [.29]	3.8 [.15]	9/16
9385X4X4	2050-4-4S	1/4-18	1/4-18	20.1 [.79]	24.6 [.97]	6.4 [.25]	9.8 [.39]	5.6 [.22]	11/16
9385X4X6	2050-4-6S	1/4-18	3/8-18	23.4 [.92]	30 [1.18]	6.4 [.25]	13.4 [.53]	5.6 [.22]	11/16
9385X6X6	2050-6-6S	3/8-18	3/8-18	23.4 [.92]	30 [1.18]	6.4 [.25]	13.4 [.53]	8.6 [.34]	7/8
9385X6X8	2050-6-8S	3/8-18	1/2-14	21.8 [.86]	35.8 [1.41]	6.4 [.25]	16.5 [.65]	8.6 [.34]	7/8
9385X8X8	2050-8-8S	1/2-14	1/2-14	23.1 [.91]	35.8 [1.41]	8.4 [.33]	16.5 [.65]	11.7 [.46]	1
9385X12X12	2050-12-12S	3/4-14	3/4-14	27.9 [1.10]	38.9 [1.53]	7.6 [.30]	21.6 [.85]	16.3 [.64]	1 1/4
9385X12X16	2050-12-16S	3/4-14	1-11 1/2	31.8 [1.25]	38.9 [1.53]	7.6 [.30]	26.9 [1.06]	16.3 [.64]	1 1/4
9385X16X16	2050-16-16S	1-11 1/2	1-11 1/2	32 [1.26]	38.9 [1.53]	9.7 [.38]	26.9 [1.06]	21.1 [.83]	1 1/2

REVISIONS			
REV	DESCRIPTION	DATE	APPROVED
B	REDRAWN. UPDATED TO DANFOSS FORMAT AND DIMENSION STYLE. 1) REMOVED PART #2050-20-20S. 2) ADDED WEATHERHEAD PART NUMBER COLUMN. 3) ADDED PART #2050-4-6S, 2050-6-8S & 2050-12-16S.	2014-04-29 UPK/DHS	0096145-ECO
C	1) ADDED PART #2050-2-2S.	2017-10-26 VSP	CO-0154200
D	CREATED ALTERNATE LANGUAGE DRAWING 1) ADDED ALTERNATIVE LANGUAGE TEXT BLOCK	2019-12-13 AAB	CO-0194000



ALTERNATIVE LANGUAGE DRAWING  
ALL SHEETS MUST BE IDENTICAL  
AND WITH SAME REVISION LEVEL

METRIC

WEATHERHEAD PART NUMBER	AEROQUIP PART NUMBER	ADAPTER BODY	NUT
9385X16X16	2050-16-16S	FF2749-1616S	2045-3-16S
9385X12X16	2050-12-16S	FF2749-1216S	2045-3-12S
9385X12X12	2050-12-12S	FF2749-1212S	2045-3-12S
9385X8X8	2050-8-8S	FF2749-0808S	2045-3-8S
9385X6X8	2050-6-8S	FF2749-0608S	2045-3-6S
9385X6X6	2050-6-6S	FF2749-0606S	2045-3-6S
9385X4X6	2050-4-6S	FF2749-0406S	2045-3-4S
9385X4X4	2050-4-4S	FF2749-0404S	2045-3-4S
9385X2X2	2050-2-2S	FF2749-0202S	2045-3-2S

LIST OF MATERIALS

ITEM NO.	MATERIAL	DRAWN	CHECKED	APPROVED	RELEASE DATE	CAGE CODE
1	STEEL	U. KADAKOL	D. SHEWALE	J. SNYDER	2014-04-29	0096145-ECO
2	STEEL					

DRAWING TITLE		FLUID CONVEYANCE DIVISION	
ADAPTER			
45° FEMALE ADAPTER UNION (FEMALE)			
(SAE # 140331)			
SIZE	DRAWING NUMBER	REV	
A2	2050-S	D	
SCALE	DIST	CAGE CODE	SHEET
NONE	U	01276	1

THIRD ANGLE PROJECTION

THE REPRODUCTION, DISTRIBUTION AND UTILIZATION OF THIS DOCUMENT AS WELL AS THE COMMUNICATION OF ITS CONTENTS TO OTHERS WITHOUT EXPLICIT AUTHORIZATION IS PROHIBITED. OFFENDERS WILL BE HELD LIABLE FOR THE PAYMENT OF DAMAGES. ALL RIGHT RESERVED IN THE EVENT OF THE GRANT OF A PATENT, UTILITY MODEL OR DESIGN. (PER ISO 16016)

2. CRIMP NUT PER ES 2409P4.

1. DIMENSIONS ARE IN MILLIMETERS [INCHES].