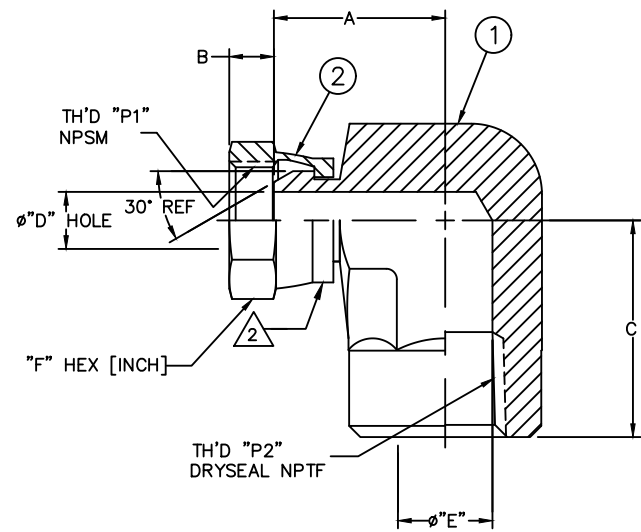


WEATHERHEAD PART NUMBER	DANFOSS PART NUMBER	TH'D "P1"	TH'D "P2"	A REF	B REF	C REF	D REF	E REF	F REF
9455X2X2	2048-2-2S	1/8-27	1/8-27	19.8 [.78]	4.8 [.19]	16.8 [.66]	3.8 [.15]	7.4 [.29]	9/16
9455X4X4	2048-4-4S	1/4-18	1/4-18	23.1 [.91]	6.4 [.25]	24.6 [.97]	5.6 [.22]	9.9 [.39]	11/16
9455X4X6	2048-4-6S	1/4-18	3/8-18	25.4 [1.00]	6.4 [.25]	27.7 [1.09]	5.6 [.22]	13.4 [.53]	11/16
9455X4X8	2048-4-8S	1/4-18	1/2-14	27.7 [1.09]	6.4 [.25]	33 [1.30]	5.6 [.22]	16.5 [.65]	11/16
9455X6X4	2048-6-4S	3/8-18	1/4-18	24.6 [.97]	6.4 [.25]	24.6 [.97]	8.6 [.34]	9.9 [.39]	7/8
9455X6X6	2048-6-6S	3/8-18	3/8-18	27.7 [1.09]	6.4 [.25]	27.7 [1.09]	8.6 [.34]	13.4 [.53]	7/8
9455X6X8	2048-6-8S	3/8-18	1/2-14	27.9 [1.10]	6.4 [.25]	34 [1.34]	8.6 [.34]	16.5 [.65]	7/8
9455X8X6	2048-8-6S	1/2-14	3/8-18	27.4 [1.08]	8.4 [.33]	34 [1.34]	11.7 [.46]	13.4 [.53]	1
9455X8X8	2048-8-8S	1/2-14	1/2-14	27.4 [1.08]	8.4 [.33]	34 [1.34]	11.7 [.46]	16.5 [.65]	1
9455X8X12	2048-8-12S	1/2-14	3/4-14	37.3 [1.47]	8.4 [.33]	34.5 [1.36]	11.7 [.46]	21.6 [.85]	1
9455X12X8	2048-12-8S	3/4-14	1/2-14	31.5 [1.24]	7.6 [.30]	31.2 [1.23]	16.3 [.64]	16.5 [.65]	1 1/4
9455X12X12	2048-12-12S	3/4-14	3/4-14	34.5 [1.36]	7.6 [.30]	38.9 [1.53]	16.3 [.64]	21.6 [.85]	1 1/4
9455X16X16	2048-16-16S	1-11 1/2	1-11 1/2	39.6 [1.56]	9.7 [.38]	45.2 [1.78]	21.1 [.83]	26.9 [1.06]	1 1/2
9455X20X20	2048-20-20S	1 1/4-11 1/2	1 1/4-11 1/2	46.2 [1.82]	10.4 [.41]	51.6 [2.03]	27.4 [1.08]	35.6 [1.40]	1 7/8
9455X24X24	2048-24-24S	1 1/2-11 1/2	1 1/2-11 1/2	51.3 [2.02]	10.7 [.42]	57.9 [2.28]	33.5 [1.32]	41.7 [1.64]	2 1/8

REVISIONS			
REV	DESCRIPTION	DATE	APPROVED
G	REDRAWN & REDESIGNED. 1) ADDED WEATHERHEAD PART NUMBERS.	2015-04-29 JJS/HLV	0109052-ECO
H	1) ADDED PART #2048-8-12S & #2048-12-8S. 2) ADDED NOTE #2.	2017-10-26 VSP	CO-0154200
J	CREATED ALTERNATIVE LANGUAGE DRAWING. 1) ADDED ALTERNATIVE LANGUAGE TEXT BLOCK.	2019-12-25 AAB	CO-0197913

ALTERNATIVE LANGUAGE DRAWING
ALL SHEETS MUST BE IDENTICAL
AND WITH SAME REVISION LEVEL

9



2 CRIMP NUT PER ES 2409P4. H

1. DIMENSIONS ARE IN MILLIMETERS [INCHES].

METRIC

9

H
H

9455X24X24	2048-24-24S	FF1500-2424S	2045-3-24S		
9455X20X20	2048-20-20S	FF1500-2020S	2045-3-20S		
9455X16X16	2048-16-16S	FF1500-1616S	2045-3-16S		
9455X12X12	2048-12-12S	FF1500-1212S	2045-3-12S		
9455X12X8	2048-12-8S	FF1500-1208S	2045-3-12S		
9455X8X12	2048-8-12S	FF1500-0812S	2045-3-8S		
9455X8X8	2048-8-8S	FF1500-0808S	2045-3-8S		
9455X8X6	2048-8-6S	FF1500-0806S	2045-3-8S		
9455X6X8	2048-6-8S	FF1500-0608S	2045-3-6S		
9455X6X6	2048-6-6S	FF1500-0606S	2045-3-6S		
9455X6X4	2048-6-4S	FF1500-0604S	2045-3-6S		
9455X4X8	2048-4-8S	FF1500-0408S	2045-3-4S		
9455X4X6	2048-4-6S	FF1500-0406S	2045-3-4S		
9455X4X4	2048-4-4S	FF1500-0404S	2045-3-4S		
9455X2X2	2048-2-2S	FF1500-0202S	2045-3-2S		
WEATHERHEAD PART NUMBER	DANFOSS PART NUMBER	1 ADAPTER BODY	2 NUT		

LIST OF MATERIALS

ITEM NO.	MATERIAL	DRAWN J. SONAVANE	CHECKED H. VENGURLEKAR	APPROVED J. SNYDER	RELEASE DATE 2015-04-23	0109052-ECO	FLUID CONVEYANCE DIVISION	
1	STEEL						DRAWING TITLE	ADAPTER
2	STEEL						RELEASE DATE	90°, FEMALE ADAPTER UNION (FEMALE)
							DRAWING NUMBER	2048-S
							REV	J
							SCALE	NONE
							DIST	U
							CAGE CODE	01276
							SHEET	1

THE REPRODUCTION, DISTRIBUTION AND UTILIZATION OF THIS DOCUMENT AS WELL AS THE COMMUNICATION OF ITS CONTENTS TO OTHERS WITHOUT EXPLICIT AUTHORIZATION IS PROHIBITED. OFFENDERS WILL BE HELD LIABLE FOR THE PAYMENT OF DAMAGES. ALL RIGHT RESERVED IN THE EVENT OF THE GRANT OF A PATENT, UTILITY MODEL OR DESIGN. (PER ISO 15010)