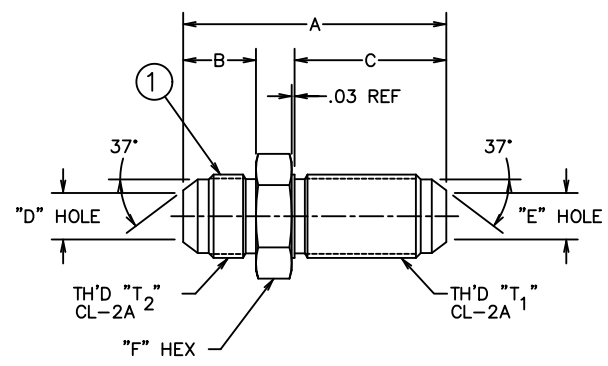


PART NUMBER	WEATHERHEAD CATALOG NUMBER	TH'D "T ₁ "	TH'D "T ₂ "	A REF	B REF	C REF	D REF	E REF	F REF
2041-1-3-3S	C5325X3	3/8-24	3/8-24	1.90	.48	1.11	.12	.12	.62
2041-1-4-4S	C5325X4	7/16-20	7/16-20	2.07	.55	1.20	.17	.17	.69
2041-1-4-6S	C5325X6X4	7/16-20	9/16-18	2.10	.56	1.20	.30	.17	.81
2041-1-5-5S	C5325X5	1/2-20	1/2-20	2.07	.55	1.20	.23	.23	.75
2041-1-6-6S	C5325X6	9/16-18	9/16-18	2.18	.56	1.28	.30	.30	.81
2041-1-8-8S	C5325X8	3/4-16	3/4-16	2.44	.66	1.44	.39	.39	1.00
2041-1-10-10S	C5325X10	7/8-14	7/8-14	2.74	.76	1.58	.48	.48	1.12
2041-1-12-12S	C5325X12	1 1/16-12	1 1/16-12	3.09	.86	1.75	.61	.61	1.38
2041-1-12-16S	C5325X16X12	1 1/16-12	1 5/16-12	3.14	.91	1.75	.84	.61	1.62
2041-1-16-16S	C5325X16	1 5/16-12	1 5/16-12	3.14	.91	1.75	.84	.84	1.62
2041-1-20-20S	C5325X20	1 5/8-12	1 5/8-12	3.31	.96	1.80	1.08	1.08	1.88
2041-1-24-24S	C5325X24	1 7/8-12	1 7/8-12	3.52	1.08	1.81	1.31	1.31	2.12

REVISIONS			
REV	DESCRIPTION	DATE	APPROVED



2041-1-24-24S	C5325X24	2041-1-24-24S			
2041-1-20-20S	C5325X20	2041-1-20-20S			
2041-1-16-16S	C5325X16	2041-1-16-16S			
2041-1-12-16S	C5325X16X12	2041-1-12-16S			
2041-1-12-12S	C5325X12	2041-1-12-12S			
2041-1-10-10S	C5325X10	2041-1-10-10S			
2041-1-8-8S	C5325X8	2041-1-8-8S			
2041-1-6-6S	C5325X6	2041-1-6-6S			
2041-1-5-5S	C5325X5	2041-1-5-5S			
2041-1-4-6S	C5325X6X4	2041-1-4-6S			
2041-1-4-4S	C5325X4	2041-1-4-4S			
2041-1-3-3S	C5325X3	2041-1-3-3S			
PART NUMBER	WEATHERHEAD CATALOG NUMBER	① ADAPTER			

LIST OF MATERIALS		DRAWING TITLE	
ITEM NO.	MATERIAL	ADAPTER	
1	STEEL	SAE 37° FLARE - BULKHEAD UNION	
DRAWN B. THOMAS CHECKED B. LAMPLEY APPROVED B. LAMPLEY RELEASE DATE 2004-12-09 EN-F27114 DP-1299 THIRD ANGLE PROJECTION		SIZE A2 SCALE NONE	DRAWING NUMBER 2041-1-S DIST U SHEET 1
CAGE CODE 01276 SHEET 1		REV 1	

THE REPRODUCTION, DISTRIBUTION AND UTILIZATION OF THIS DOCUMENT AS WELL AS THE COMMUNICATION OF ITS CONTENTS TO OTHERS WITHOUT EXPLICIT AUTHORIZATION IS PROHIBITED. OFFENDERS WILL BE HELD LIABLE FOR THE PAYMENT OF DAMAGES. ALL RIGHT RESERVED IN THE EVENT OF THE GRANT OF A PATENT, UTILITY MODEL OR DESIGN. (PER ISO 16016)

REV. 1
 SH. 1
 2041-1-S
 DWG. NO.