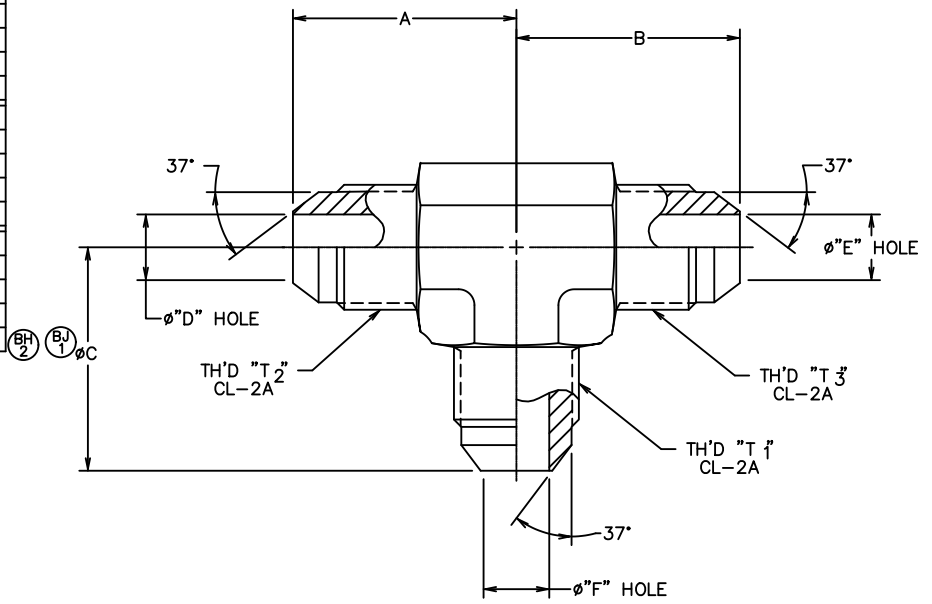


PART NUMBER	WEATHERHEAD CATALOG NUMBER	TH'D "T ₁ "	TH'D "T ₂ "	TH'D "T ₃ "	A REF	B REF	C REF	D REF	E REF	F REF
2033-4-4S	C5705X4	7/16-20	7/16-20	7/16-20	.89	.89	.89	.17	.17	.17
2033-5-5S	C5705X5	1/2-20	1/2-20	1/2-20	.95	.95	.95	.23	.23	.23
2033-6-4-4S	C5705X4X4X6	9/16-18	7/16-20	7/16-20	1.05	1.05	1.06	.17	.17	.30
2033-6-6S	C5705X6	9/16-18	9/16-18	9/16-18	1.06	1.06	1.06	.30	.30	.30
2033-8-6-6S	C5705X6X6X8	3/4-16	9/16-18	9/16-18	1.14	1.14	1.25	.30	.30	.39
2033-8-8S	C5705X8	3/4-16	3/4-16	3/4-16	1.25	1.25	1.25	.39	.39	.39
2033-8-12-12S	C5705X12X12X8	3/4-16	1 1/16-12	1 1/16-12	1.66	1.66	1.42	.61	.61	.39
2033-10-10S	C5705X10	7/8-14	7/8-14	7/8-14	1.45	1.45	1.45	.48	.48	.48
2033-12-12S	C5705X12	1 1/16-12	1 1/16-12	1 1/16-12	1.66	1.66	1.66	.61	.61	.61
2033-12-12-16S	C5705X16X12X12	1 1/16-12	1 1/16-12	1 5/16-12	1.76	1.81	1.76	.61	.84	.61
2033-16-12-12S	C5705X12X12X16	1 5/16-12	1 1/16-12	1 1/16-12	1.76	1.76	1.81	.61	.61	.84
2033-16-16S	C5705X16	1 5/16-12	1 5/16-12	1 5/16-12	1.81	1.81	1.81	.84	.84	.84
2033-20-16-16S	C5705X16X16X20	1 5/8-12	1 5/16-12	1 5/16-12	2.01	2.01	2.06	.84	.84	1.08
2033-20-20S	C5705X20	1 5/8-12	1 5/8-12	1 5/8-12	2.06	2.06	2.06	1.08	1.08	1.08
2033-24-24S	C5705X24	1 7/8-12	1 7/8-12	1 7/8-12	2.33	2.33	2.33	1.31	1.31	1.31
2033-16-16-20S	C5705X20X16X16	1 5/16-12	1 5/16-12	1 5/8-12	2.01	2.06	2.01	.84	1.08	.84

REVISIONS			
REV	DESCRIPTION	DATE	APPROVED
BG	(1)REDRAWN, ADDED WEATHERHEAD CATALOG NUMBER.	2003-XX-XX ATH/W.R.H.	EN-F25125 DP-1513
BH	(1)PART NUMBER REMOVED, 2033-2-2S; 2033-3-3S; 2033-4-6-6S; 2033-6-8-10; 2033-6-12-12; 2033-8-10-10; 2033-8-16-16S; 2033-14-14S; 2033-10-8-10S; 2033-32-32S; 2033-10-8-12S; 2033-12-16-16S; 2033-12-20-20S; 2033-16-20-20S. (2)ADDED PART NUMBER 2033-16-16-20S.	2009-12-10 NJK/SRH	0037558 -ECO
BJ	1) A & C DIMENSION WAS 2. 2) ADDED NOTE #2.	2011-12-19 VPC/DHS	0065135- ECO DP-1299



(BH) (BJ)
(1) (2)

2. DIMENSIONS ARE IN INCHES. (BJ)
1. MATERIAL: STEEL. (2)

INCH

DRAWN A. HISS	FLUID CONVEYANCE DIVISION		
CHECKED *	DRAWING TITLE		
APPROVED *	ADAPTER		
RELEASE DATE 2003-XX-XX	SAE 37° FLARE - UNION TEE		
EN-F25125	(SAE #070401)		
DP-1513	SIZE A2	DRAWING NUMBER 2033-S	REV BJ
THIRD ANGLE PROJECTION	SCALE NONE	DIST U	CAGE CODE 01276
		SHEET 1	

THE REPRODUCTION, DISTRIBUTION AND UTILIZATION OF THIS DOCUMENT AS WELL AS THE COMMUNICATION OF ITS CONTENTS TO OTHERS WITHOUT EXPLICIT AUTHORIZATION IS PROHIBITED. OFFENDERS WILL BE HELD LIABLE FOR THE PAYMENT OF DAMAGES. ALL RIGHT RESERVED IN THE EVENT OF THE GRANT OF A PATENT, UTILITY MODEL OR DESIGN. (PER ISO 16016)

REV. BU
SH. 1
2033-S
DWG. NO.