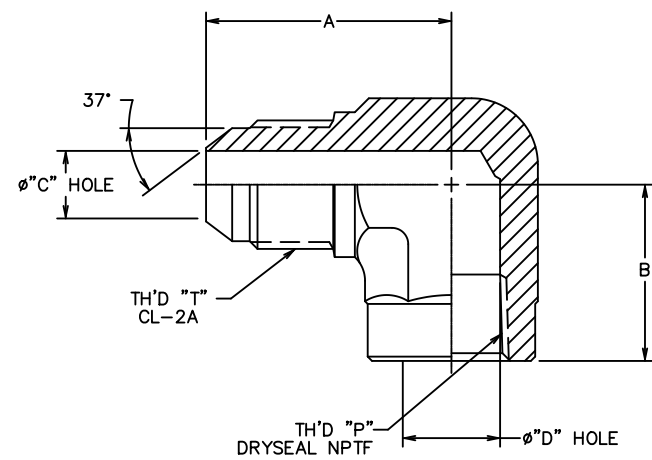


PART NUMBER	WEATHERHEAD PART NUMBER	TH'D "P"	TH'D "T"	A REF	B REF	C REF	D REF
2025-2-4S	C5455X4	1/8-27	7/16-20	27.4 [1.08]	16.8 [.66]	4.3 [.17]	7.4 [.29]
2025-2-5S	C5455X5	1/8-27	1/2-20	27.4 [1.08]	16.8 [.66]	5.8 [.23]	7.4 [.29]
2025-2-6S	C5455X6X2	1/8-27	9/16-18	31.2 [1.23]	17 [.67]	7.6 [.30]	7.4 [.29]
2025-4-4S	C5455X4X4	1/4-18	7/16-20	31 [1.22]	22.4 [.88]	4.3 [.17]	9.9 [.39]
2025-4-5S	C5455X5X4	1/4-18	1/2-20	31 [1.22]	22.4 [.88]	5.8 [.23]	9.9 [.39]
2025-4-6S	C5455X6	1/4-18	9/16-18	31.2 [1.23]	22.4 [.88]	7.6 [.30]	9.9 [.39]
2025-4-8S	C5455X8X4	1/4-18	3/4-16	36.1 [1.42]	25.7 [1.01]	9.9 [.39]	9.9 [.39]
2025-6-4S	C5455X4X6	3/8-18	7/16-20	32.8 [1.29]	25.9 [1.02]	4.3 [.17]	13.5 [.53]
2025-6-5S	C5455X5X6	3/8-18	1/2-20	32.8 [1.29]	25.9 [1.02]	5.8 [.23]	13.5 [.53]
2025-6-6S	C5455X6X6	3/8-18	9/16-18	33.3 [1.31]	25.9 [1.02]	7.6 [.30]	13.5 [.53]
2025-6-8S	C5455X8	3/8-18	3/4-16	36.1 [1.42]	25.9 [1.02]	9.9 [.39]	13.5 [.53]
2025-8-4S	C5455X4X8	1/2-14	7/16-20	35.6 [1.40]	31.2 [1.23]	4.3 [.17]	16.5 [.65]
2025-8-5S	C5455X5X8	1/2-14	1/2-20	35.6 [1.40]	31.2 [1.23]	5.8 [.23]	16.5 [.65]
2025-8-8S	C5455X8X8	1/2-14	3/4-16	38.6 [1.52]	31.2 [1.23]	9.9 [.39]	16.5 [.65]
2025-8-10S	C5455X10	1/2-14	7/8-14	41.7 [1.64]	31.2 [1.23]	12.2 [.48]	16.5 [.65]
2025-8-12S	C5455X12X8	1/2-14	1 1/16-12	48 [1.89]	34.3 [1.35]	15.5 [.61]	16.5 [.65]
2025-10-12S	C5455X12X10	3/4-14	7/8-14	45.2 [1.78]	34.5 [1.36]	12.2 [.48]	21.6 [.85]
2025-12-12S	C5455X12	3/4-14	1 1/16-12	48 [1.89]	34.5 [1.36]	15.5 [.61]	21.6 [.85]
2025-16-16S	C5455X16	1-11 1/2	1 5/16-12	55.1 [2.17]	41.1 [1.62]	21.3 [.84]	26.9 [1.06]
2025-20-20S	C5455X20	1 1/4-11 1/2	1 5/8-12	59.2 [2.33]	43.2 [1.70]	27.4 [1.08]	35.6 [1.40]
2025-24-24S	C5455X24	1 1/2-11 1/2	1 7/8-12	73.4 [2.89]	52.8 [2.08]	33.3 [1.31]	41.7 [1.64]
2025-32-32S	C5455X32	2-11 1/2	2 1/2-2	83.8 [3.30]	60.7 [2.39]	45.2 [1.78]	55.9 [2.20]

(BH)

REVISIONS			
REV	DESCRIPTION	DATE	APPROVED
BH	REDRAWN, UPDATED TO DANFOSS FORMAT & DIMENSION STYLE. (1) ADDED PART #2025-10-12S.	2011-08-17 VMS/DHS	0054198-ECO



2. DIMENSIONS ARE IN MILLIMETERS [INCHES].
1. MATERIAL: STEEL.

DRAWN V. SURWASE CHECKED D. SHEWALE APPROVED M. TALWALKAR RELEASE DATE 2011-08-17 0054198-ECO	FLUID CONVEYANCE DIVISION DRAWING TITLE ADAPTER SAE 37° FLARE - 90° FEMALE ELBOW (SAE #070203)
THIRD ANGLE PROJECTION 	SIZE A2 SCALE NONE DIST U CAGE CODE 01276 SHEET 2
THE REPRODUCTION, DISTRIBUTION AND UTILIZATION OF THIS DOCUMENT AS WELL AS THE COMMUNICATION OF ITS CONTENTS TO OTHERS WITHOUT EXPLICIT AUTHORIZATION IS PROHIBITED. OFFENDERS WILL BE HELD LIABLE FOR THE PAYMENT OF DAMAGES. ALL RIGHT RESERVED IN THE EVENT OF THE GRANT OF A PATENT, UTILITY MODEL OR DESIGN. (PER ISO 16016)	

REV. BH
SHEET 2
DWG. NO. 2025-S