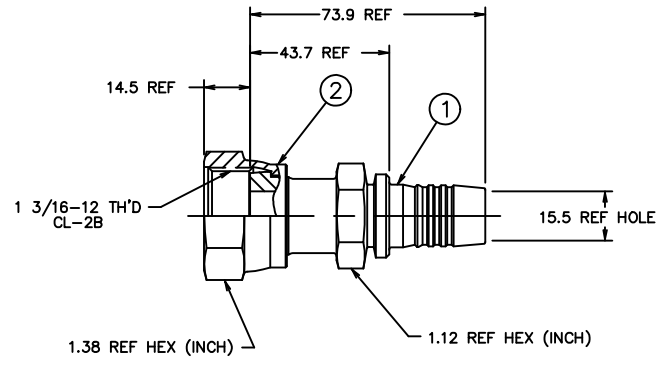


THE REPRODUCTION, DISTRIBUTION AND UTILIZATION OF THIS DOCUMENT AS WELL AS THE COMMUNICATION OF ITS CONTENTS TO OTHERS WITHOUT EXPRESS AUTHORIZATION IS PROHIBITED. OFFENDERS WILL BE HELD LIABLE FOR THE PAYMENT OF DAMAGES. ALL RIGHTS RESERVED IN THE EVENT OF THE GRANT OF A PATENT, UTILITY MODEL OR DESIGN. (PER ISO 16016)

REVISIONS			
REV	DESCRIPTION	DATE	APPROVED
D	REDRAWN - SUPERSEDES 1SA_FR SHEET 1/2 REV. "C" FOR 1SA12FR12	10-25-95	EN-F16048 DP-24900



73.9	2.91
43.7	1.72
15.5	.61
14.5	.57
MM	INCH

CONVERSION

METRIC

CONVERTED DRAWING CADAM to AutoCAD 18/98

DWG. NO. 1SA12FR12 SH. REV. D

1SA12FR12	1F40010A1212-S	FC1473-12S		
AEROQUIP PART NUMBER	①	NIPPLE	②	NUT
LIST OF MATERIALS				
ITEM NO.	MATERIAL	DRAWN	FLUID CONVEYANCE DIVISION	
1	STEEL	R.D. GARRETT		
2	STEEL	M. MOLINA	DRAWING TITLE NIPPLE ASSEMBLY ORS FEMALE SWIVEL, 2781 HOSE	
		R.D. GARRETT		
		APPROVED	SIZE	DRAWING NUMBER
		R.D. GARRETT	C	1SA12FR12
		RELEASE DATE	SCALE	DIST
		10-26-95	1/1	U
		EN-F16048	CAGE CODE	01276
		DP-24900	SHEET NO	D
		1/2 INCH ANGLE PROJECTION		

1. CRIMP NUT PER ACES 2409P1.