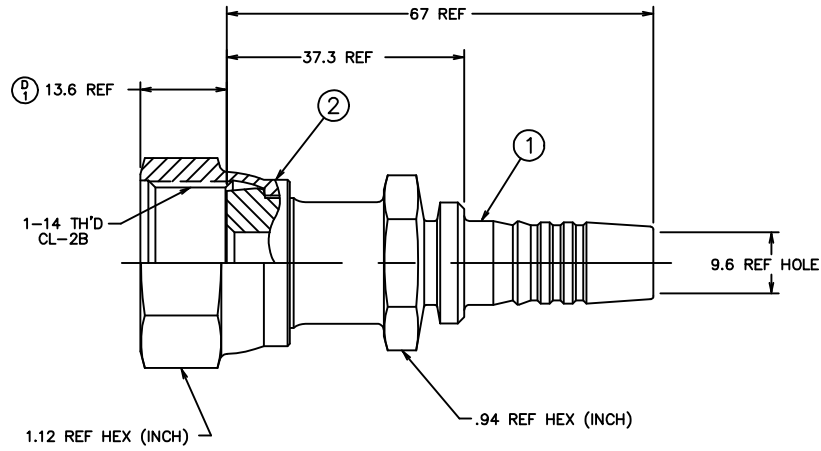


THE REPRODUCTION, DISTRIBUTION AND UTILIZATION OF THIS DOCUMENT AS WELL AS THE COMMUNICATION OF ITS CONTENTS TO OTHERS WITHOUT EXPRESS AUTHORIZATION IS PROHIBITED. OFFENDERS WILL BE HELD LIABLE FOR THE PAYMENT OF DAMAGES. ALL RIGHTS RESERVED IN THE EVENT OF THE GRANT OF A PATENT, UTILITY MODEL OR DESIGN. (PER ISO 16016)

REVISIONS			
REV	DESCRIPTION	DATE	APPROVED
D	REDRAWN - SUPERSEDES 1SA_FR SHEET 1/2 REV. C FOR 1SA10FR8 (1) WAS 13.5 REF	10-25-95	EN-F16048 DP-24900



67	2.64
37.3	1.47
13.6	.54
9.6	.38
MM	INCH

CONVERSION

METRIC

CONVERTED DRAWING CADAMI to AutoCAD 18/98

1. CRIMP NUT PER ACES 2409P1.

1SA10FR8	1F40010A1008-S	FC1473-10S			
AEROQUIP PART NUMBER	① NIPPLE	② NUT			
LIST OF MATERIALS					
ITEM NO.	MATERIAL	DRAWN R.D.GARRETT	FLUID CONVEYANCE DIVISION		
1	STEEL	CHECKED M.MOLINA			
2	STEEL	APPROVED R.D.GARRETT	DRAWING TITLE NIPPLE ASSEMBLY ORS FEMALE SWIVEL, 2781 HOSE		
		RELEASE DATE 10-26-95			
		EN-F16048 DP-24900	SIZE C	DRAWING NUMBER 1SA10FR8	REV D
		SCALE 2/1	DIST U	CAGE CODE 01276	SHEET NO

DWG. NO. 1SA10FR8 SH. REV. D