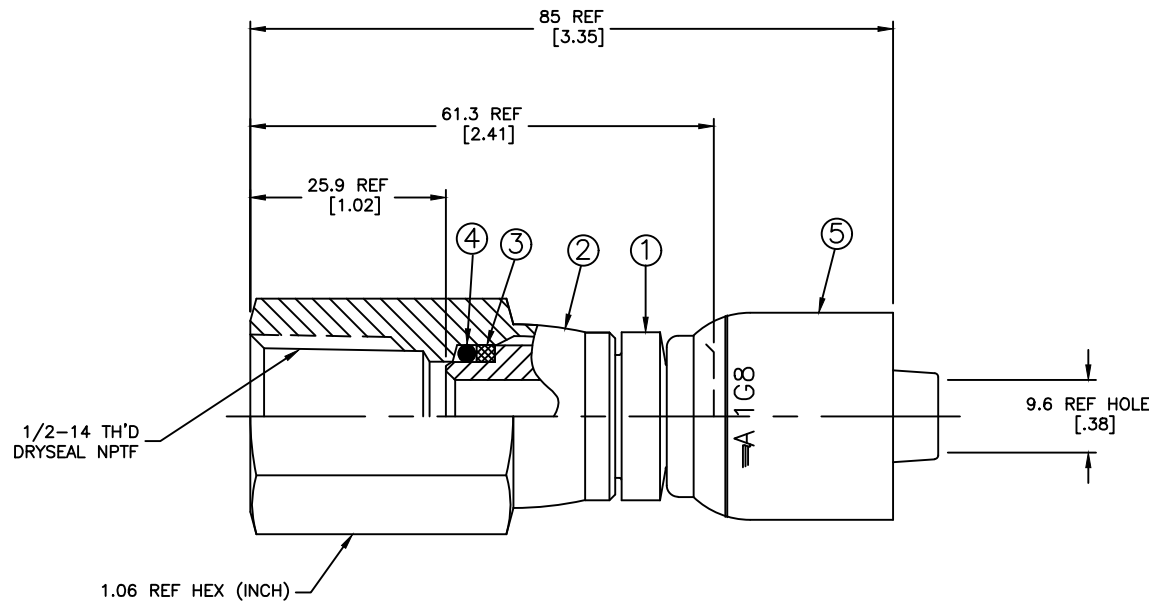


REVISIONS			
REV	DESCRIPTION	DATE	APPROVED



3. DIMENSIONS ARE IN MILLIMETERS [INCHES].

2. 1SABPF8 NIPPLE ASSEMBLY MAY BE SUBSTITUTED FOR ITEMS #1, #2, #3, AND #4.

1. PROCESS AS FOLLOWS:

- (a) ASSEMBLE NUT PER ACES 2409P15 AND 100% INSPECT TO INSURE NUT SWIVELS.
- (b) ASSEMBLY SOCKET PER ACES 2813.

METRIC

1G8PF8	1F40134-0808-S	FW1178-0808S	22049-113	22550-113	1G8
AEROQUIP PART NUMBER	① NIPPLE	② NUT	③ BACKUP RING	④ O'RING	⑤ SOCKET
LIST OF MATERIALS					
ITEM NO.	MATERIAL	DRAWING TITLE			
1	STEEL	FLUID CONVEYANCE DIVISION DRAWING TITLE FITTING ASSEMBLY FEMALE PIPE SWIVEL, OTC SIZE: A2 DRAWING NUMBER: 1G8PF8 REV: SCALE: 2:1 DIST: U CAGE CODE: 01276 SHEET NO:			
2	STEEL				
3	TEFLON				
4	NITRILE (BUNA-N)				
5	STEEL				
DRAWN: J. BAHNSEN CHECKED: R.D. GARRETT APPROVED: R.D. GARRETT RELEASE DATE: 2000-07-11 EN-F20286 DP-1298 THIRD ANGLE PROJECTION ITEM TYPE: EBPA		SCALE: 2:1 DIST: U CAGE CODE: 01276 SHEET NO:			

DWG. NO. 1G8PF8 SH. REV.