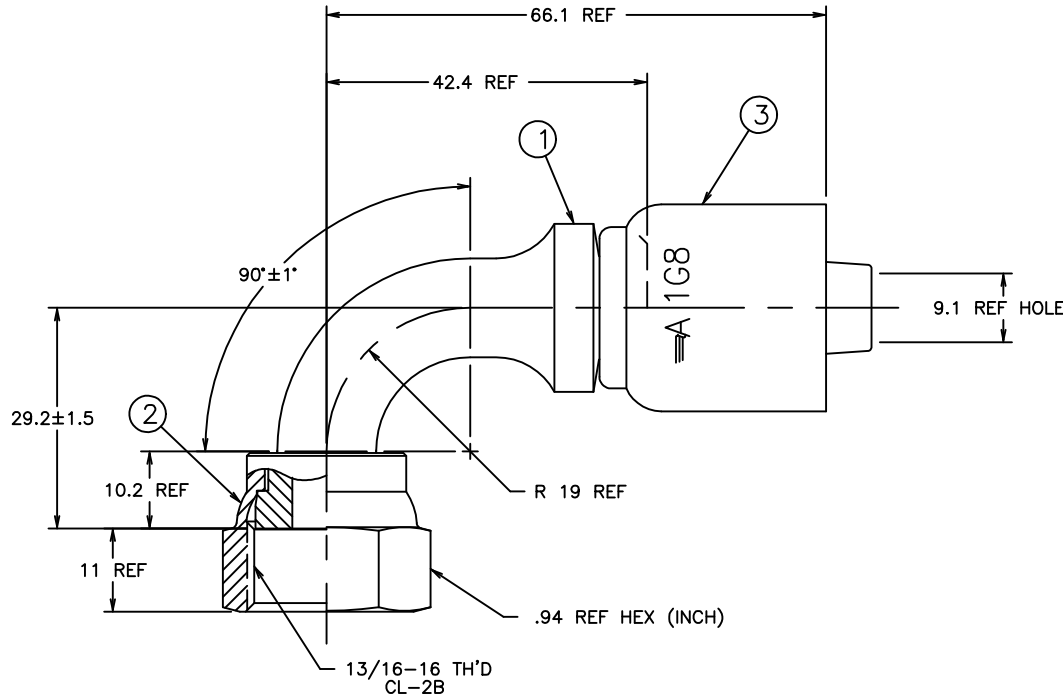


THE REPRODUCTION, DISTRIBUTION AND UTILIZATION OF THIS DOCUMENT AS WELL AS THE COMMUNICATION OF ITS CONTENTS TO OTHERS WITHOUT EXPLICIT AUTHORIZATION IS PROHIBITED. OFFENDERS WILL BE HELD LIABLE FOR THE PAYMENT OF DAMAGES. ALL RIGHT RESERVED IN THE EVENT OF THE GRANT OF A PATENT, UTILITY MODEL OR DESIGN. (PER ISO 18018)

REVISIONS

REV	DESCRIPTION	DATE	APPROVED
D	REDRAWN - SUPERSEDES 1GA_FRB_SHEET 2 REV."C" FOR 1GABFRB8	12-8-95	EN-F16102 DP-24900



66.1	2.60
42.4	1.67
29.2±1.5	1.15±.06
19	.75
11	.43
10.2	.40
9.1	.36
MM	INCH

CONVERSION

METRIC

2. 1SA8FRB8 NIPPLE ASSEMBLY MAY BE SUBSTITUTED FOR ITEMS #1 AND #2.

1. PROCESS AS FOLLOWS:

- BEND NIPPLE TO DIMENSIONS SHOWN.
- ZINC PLATE PER ACES 2751.
- CRIMP NUT PER ACES 2409P1.
- ASSEMBLE SOCKET PER ACES 2813.

1GA8FRB8	1F40023-0808AB	FC1473-08S	1G8		
AEROQUIP PART NUMBER	① NIPPLE	② NUT	③ SOCKET		
LIST OF MATERIALS					
ITEM NO.	MATERIAL	DRAWN M MOLINA			
1	STEEL	CHECKED R.D.GARRETT			
2	STEEL	APPROVED R.D.GARRETT			
3	STEEL	RELEASE DATE 12-8-95			
		EN-F16102 DP-24900		SIZE C	DRAWING NUMBER 1GA8FRB8
		THIRD ANGLE PROJECTION		SCALE 2/1	DIST U
				CAGE CODE 01276	SHEET NO

Danfoss FLUID CONVEYANCE DIVISION

DRAWING TITLE
FITTING ASSEMBLY
90°, ORS FEMALE SWIVEL, OTC

REV
D

CONVERTED DRAWING CADAM to AutoCAD 8/98

DWG. NO. 1GA8FRB8 SH. D