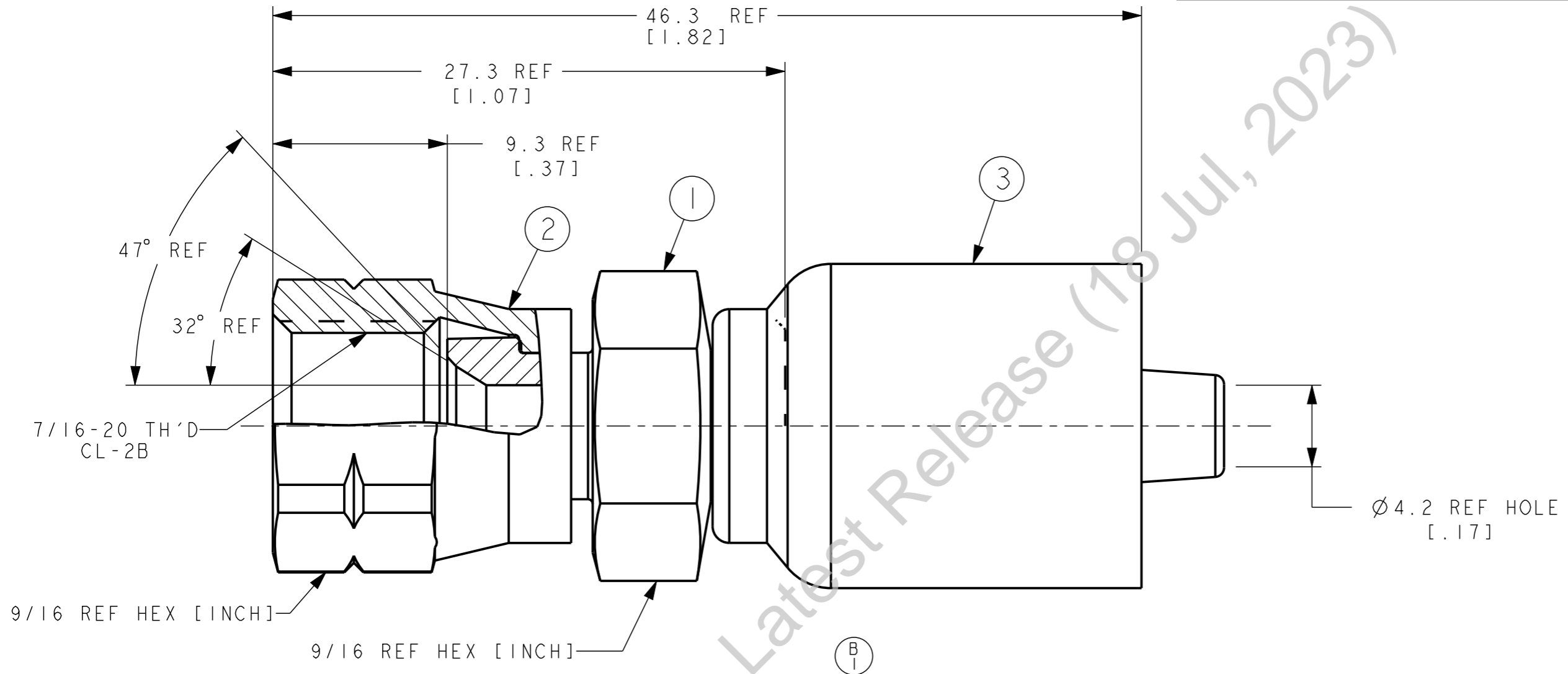


PART NUMBER	SURFACE AREA	MASS
IGA4FS4	5961 mm <sup>2</sup>	33 g

REVISIONS			
REV	DESCRIPTION	DATE	APPROVED
B	REDRAWN. UPDATED TO LATEST FORMAT. 1) NIPPLE PART NUMBER WAS "IF4000IA0404-S".	2023-07-28 VSP	CO-0229802



IGA4FS4	IF40000A0404-S	210224-4S	IG4		
PART NUMBER	① NIPPLE	② NUT	③ SOCKET		

LIST OF MATERIALS

ITEM NO.	MATERIAL
1	STEEL
2	STEEL
3	STEEL

FLUID CONVEYANCE DIVISION MAUMEE, OHIO U.S.A.		DRAWN	V. PATIL
		CHECKED	V. PATIL
		APPROVED	B. JADHAV
CO-0229802		RELEASE DATE	2023-07-28
CAGE CODE 01276		DRAWING INTERPRETATION PER ES 10	
THIRD ANGLE PROJECTION		DRAWING TITLE	
SIZE A3		FITTING ASSEMBLY	
SCALE 4/1		SAE 45° FEMALE SWIVEL	
SHEET 1		OTC	
		DRAWING NUMBER	REV
		IGA4FS4	B
<small>THE REPRODUCTION, DISTRIBUTION, AND UTILIZATION OF THIS DOCUMENT AS WELL AS THE COMMUNICATION OF ITS CONTENTS TO OTHERS WITHOUT EXPLICIT AUTHORIZATION IS PROHIBITED. OFFENDERS WILL BE HELD LIABLE FOR THE PAYMENT OF DAMAGES. ALL RIGHTS RESERVED IN THE EVENT OF THE GRANT OF A PATENT, UTILITY MODEL OR DESIGN. (PER ISO 16016)</small>			

3. ISA4FS4 NIPPLE ASSEMBLY MAY BE SUBSTITUTED FOR ITEMS #1 AND #2.
2. PROCESS AS FOLLOWS:
  - a) CRIMP NUT PER ES 2409P3.
  - b) ASSEMBLE SOCKET PER ACES 2813.
1. DIMENSIONS ARE IN MILLIMETERS [INCHES].