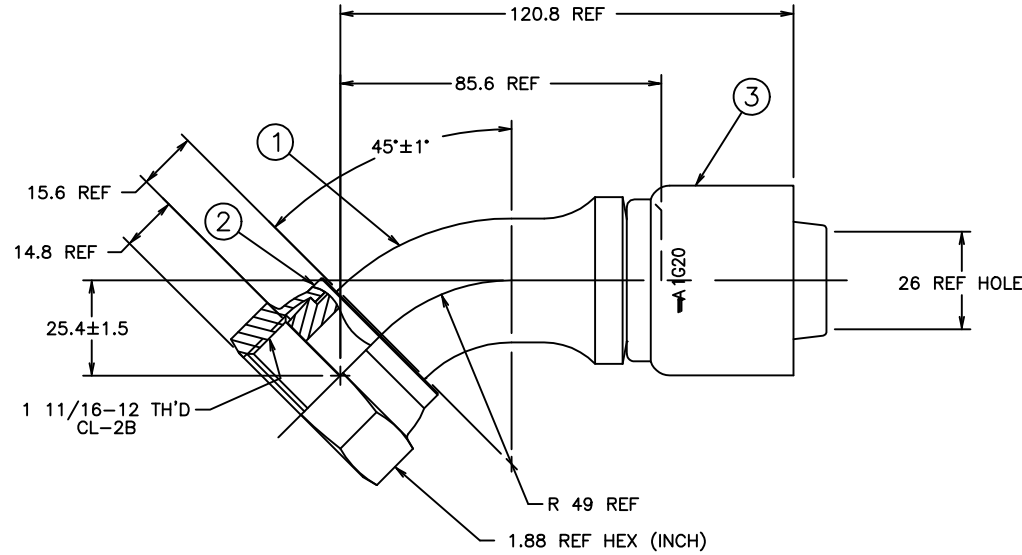


THE REPRODUCTION, DISTRIBUTION AND UTILIZATION OF THIS DOCUMENT AS WELL AS THE COMMUNICATION OF ITS CONTENTS TO OTHER WITHOUT EXPLICIT AUTHORIZATION IS PROHIBITED. OFFENDERS WILL BE HELD LIABLE FOR THE PAYMENT OF DAMAGES. ALL RIGHT RESERVED IN THE EVENT OF THE GRANT OF A PATENT, UTILITY MODEL OR DESIGN. (PER ISO 10016)

REVISIONS			
REV	DESCRIPTION	DATE	APPROVED
F	REDRAWN - SUPERSEDES 1GA_FRA_SHEET 2 REV."E" FOR 1GA20FRA20	11-27-95	EN-F16101 DP-24900



120.8	4.76
85.6	3.37
49	1.93
26	1.02
25.4±1.5	1.00±06
15.6	.61
14.8	.58
MM	INCH

CONVERSION

METRIC

2. ISA20FRA20 NIPPLE ASSEMBLY MAY BE SUBSTITUTED FOR ITEMS #1 & #2.
1. PROCESS AS FOLLOWS:
- BEND NIPPLE TO DIMENSIONS SHOWN.
  - ZINC PLATE PER ACES 2751.
  - CRIMP NUT PER ACES 2409P1.
  - ASSEMBLE SOCKET PER ACES 2813.

ITEM NO.	MATERIAL	1GA20FRA20 AEROQUIP PART NUMBER	1F40022-2020AB NIPPLE	FC1473-20S NUT	1G20 SOCKET
1	STEEL	①		②	③
2	STEEL				
3	STEEL				

DRAWN M.MOLINA		FLUID CONVEYANCE DIVISION	
CHECKED R.D.GARRETT			
APPROVED R.D.GARRETT		DRAWING TITLE FITTING ASSEMBLY 45°, ORS FEMALE SWIVEL, OTC	
RELEASE DATE 11-27-95		SIZE C	DRAWING NUMBER 1GA20FRA20
EN-F16101 DP-24900		SCALE 1/1	REV F
THIRD ANGLE PROJECTION		DIST U	CAGE CODE 01276
		SHEET NO	

CONVERTED DRAWING CADAM to AutoCAD 8/98

SH. 1GA20FRA20 DWG. NO.