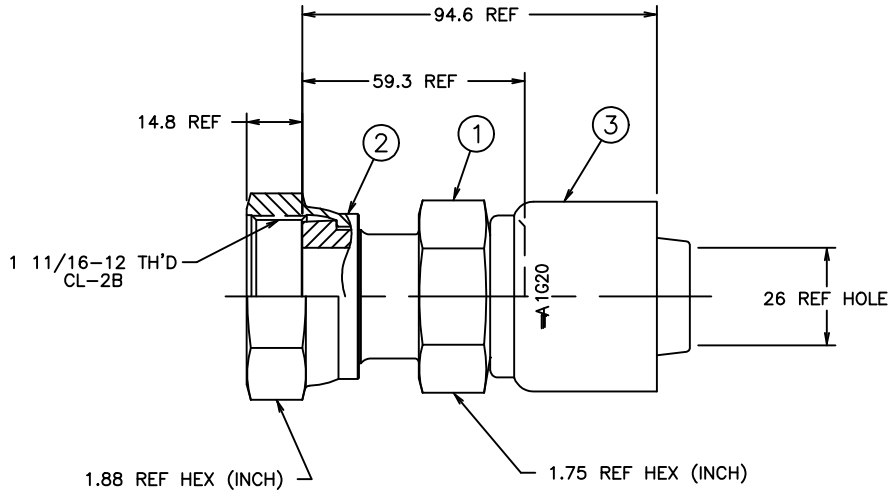


THE REPRODUCTION, DISTRIBUTION AND UTILIZATION OF THIS DOCUMENT AS WELL AS THE COMMUNICATION OF ITS CONTENTS TO OTHER WITHOUT EXPLICIT AUTHORIZATION IS PROHIBITED. OFFENDERS WILL BE HELD LIABLE FOR THE PAYMENT OF DAMAGES. ALL RIGHT RESERVED IN THE EVENT OF THE GRANT OF A PATENT, UTILITY MODEL OR DESIGN. (PER ISO 10016)

REVISIONS			
REV	DESCRIPTION	DATE	APPROVED
A	REDRAWN - SUPERSEDES 1GA_FR_SHEET 1/2 REV. NONE FOR 1GA20FR20 (1)NOTE #1(a) WAS "CRIMP NUT PER ACES 2813."	11-27-95	EN-F16100 DP-24900



94.6	3.72
59.3	2.33
26	1.02
14.8	.58
MM	INCH

CONVERSION

METRIC

ITEM NO.	MATERIAL	DESCRIPTION
1	STEEL	CRIMP NUT PER ACES 2409P1
2	STEEL	ASSEMBLE SOCKET PER ACES 2813
3	STEEL	SOCKET

1GA20FR20	1F40010A2020-S	FC1473-20S	1G20
AEROQUIP PART NUMBER	① NIPPLE	② NUT	③ SOCKET

LIST OF MATERIALS			
DRAWN	KATHY PADGETT	FLUID CONVEYANCE DIVISION	
CHECKED	R.GARRETT		
APPROVED	R.GARRETT		
RELEASE DATE	11-28-95	DRAWING TITLE	FITTING ASSEMBLY ORS FEMALE SWIVEL, OTC
EN-F16100 DP-24900	SIZE C	DRAWING NUMBER	1GA20FR20
THIRD ANGLE PROJECTION	SCALE 1/1	DIST U	CAGE CODE 01276
			SHEET NO

2. 1SA20FR20 NIPPLE ASSEMBLY MAY BE SUBSTITUTED FOR ITEMS #1 AND #2.

1. PROCESS AS FOLLOWS:
 (a) CRIMP NUT PER ACES 2409P1.
 (b) ASSEMBLE SOCKET PER ACES 2813.

Ⓐ
1

CONVERTED DRAWING CADAM to AutoCAD 8/98

DWG. NO. 1GA20FR20 SH. REV. A