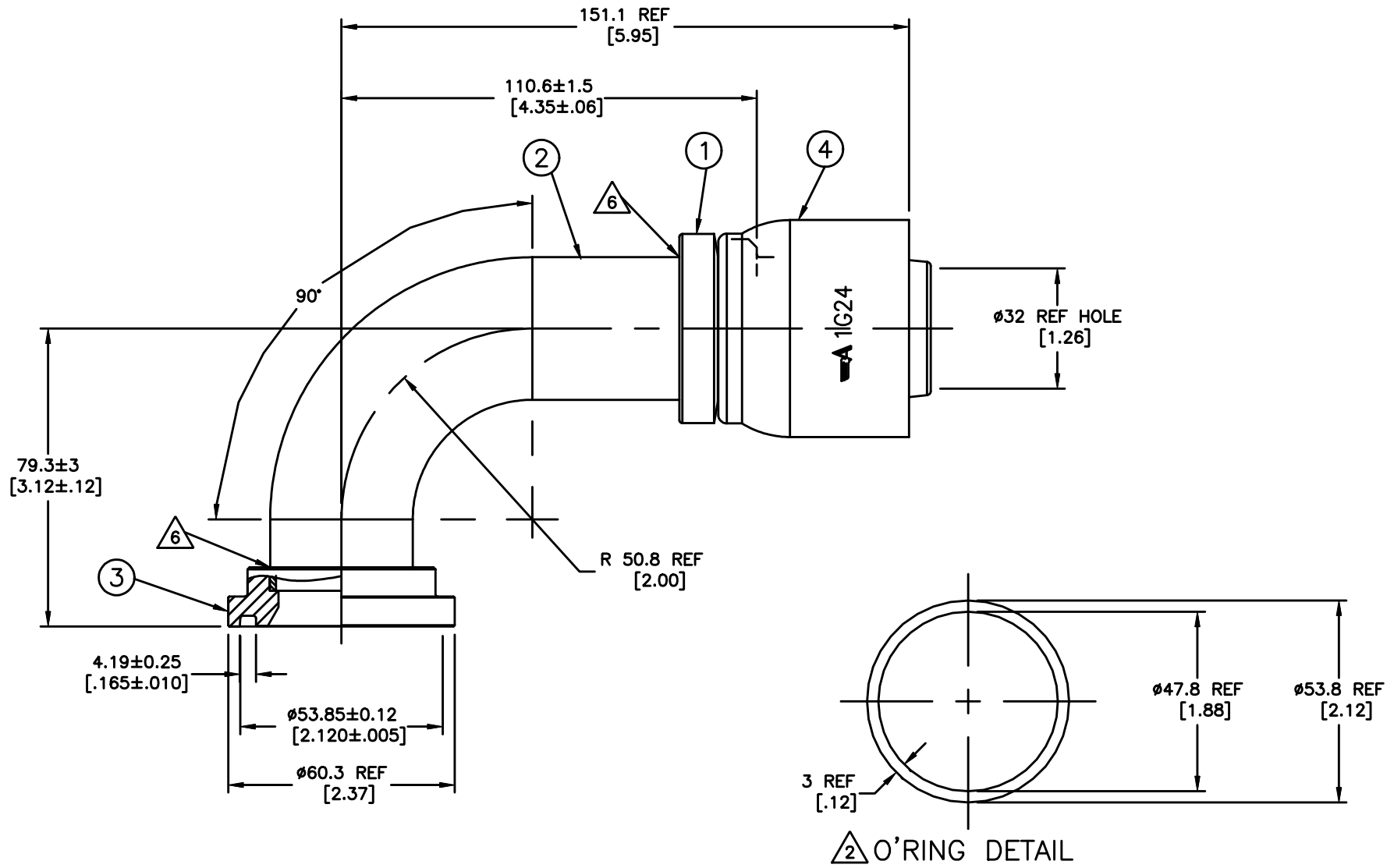


REVISIONS			
REV	DESCRIPTION	DATE	APPROVED
F	REDRAWN & REDESIGNED (1) ADDED INCH DIMENSIONS AND NOTE #4 (2) ADDED ALTERNATE CONSTRUCTION, NOTE #5.	2000-09-11	EN-F22890 DP-1299 BAL/WRH



5	1G24FLB24	1F90001-3824AR	19.020-38.28	17.007-38-24	1G24	
	1G24FLB24	1F40014-2424AB	1F40034-24-02AB	4624-24S	1G24	
	AEROQUIP PART NUMBER	① NIPPLE	② ELBOW	③ SHOULDER	④ SOCKET	

LIST OF MATERIALS	
ITEM NO.	MATERIAL
1	STEEL
2	STEEL
3	STEEL
4	STEEL

DRAWN: B.LAMPLEY  
 CHECKED: W.R.HYDE  
 APPROVED: W.R.HYDE  
 RELEASE DATE: 2002-10-16  
 EN-F22890  
 DP-1299  
 THIRD ANGLE PROJECTION

**Danfoss** FLUID CONVEYANCE DIVISION  
 DRAWING TITLE:  
**FITTING ASSEMBLY**  
 90°, SPLIT FLANGE TYPE (CODE61),  
 OTC

SIZE: A2    DRAWING NUMBER: 1G24FLB24    REV: F  
 SCALE: 1/1    DIST: U    CAGE CODE: 01276    SHEET:

THE REPRODUCTION, DISTRIBUTION AND UTILIZATION OF THIS DOCUMENT, AS WELL AS THE COMMUNICATION OF ITS CONTENTS TO OTHERS WITHOUT EXPLICIT AUTHORIZATION IS PROHIBITED. OFFENDERS WILL BE HELD LIABLE FOR THE PAYMENT OF DAMAGES. ALL RIGHTS RESERVED IN THE EVENT OF THE GRANT OF A PATENT, UTILITY MODEL OR DESIGN. (PER ISO 18016)

- ⑥ BRAZE PER ACES 2814.
- ⑤ ALTERNATIVE CONSTRUCTION. (F<sub>2</sub>)
- ④ DIMENSIONS ARE IN MILLIMETERS [INCHES]. (F<sub>1</sub>)
- ③ 1S24FLB24 NIPPLE ASSEMBLY MAY BE SUBSTITUTED FOR ITEMS #1, #2 & #3.
- ② O-RING SHOWN FOR REFERENCE ONLY: SUPPLIED BUT NOT FURNISHED WITH ASSEMBLY.
- ① ZINC PLATE PER 2751.

REV. F  
 SH.  
 1G24FLB24  
 DWG. NO.