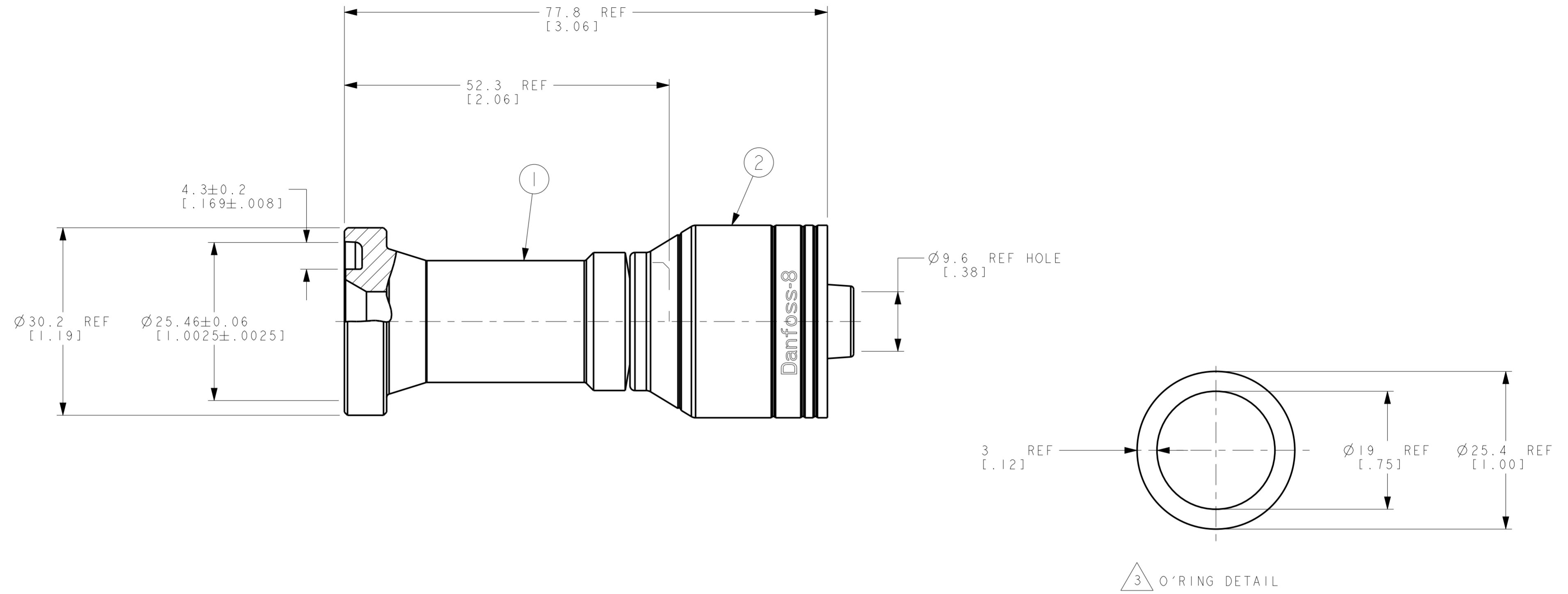


REVISIONS			
REV	DESCRIPTION	DATE	APPROVED
D	REDRAWN AND REDESIGNED. 1) ADDED PART #IA8FL8TZ	2016-08-24 SBD	0126399-ECO RPS 48733



METRIC

-	IA8FL8TZ	IS8FL8TZ	IA8TZ		
08Z-G08	IA8FL8	IS8FL8	IA8		
WEATHERHEAD PART NUMBER	AEROQUIP PART NUMBER	① NIPPLE	② SOCKET		

LIST OF MATERIALS

ITEM NO.	MATERIAL	FLUID CONVEYANCE DIVISION MAUMEE, OHIO U.S.A.		DRAWN S. DAVKHAR	
1	STEEL			CHECKED S. DAVKHAR	
2	STEEL			APPROVED D. CRADDOCK	
		0126399-ECO RPS 48733		RELEASE DATE 2016-08-24	
		THIRD ANGLE PROJECTION		DRAWING INTERPRETATION PER ES 10	
				DRAWING TITLE	
		SIZE A2		FITTING ASSEMBLY	
		SCALE 2/1		SPLIT FLANGE TYPE (CODE 61).	
		SHEET 1		1 AND 2 WIRE BRAIDED HOSE	
				DRAWING NUMBER	
				IA8FL8	
				REV	
				D	

③ O-RING SHOWN FOR REFERENCE ONLY. SUPPLIED BUT NOT FURNISHED WITH ASSEMBLY.

2. ASSEMBLE SOCKET PER ACES 2813.

1. DIMENSIONS ARE IN MILLIMETERS [INCHES].

THE REPRODUCTION, DISTRIBUTION, AND UTILIZATION OF THIS DOCUMENT AS WELL AS THE COMMUNICATION OF ITS CONTENTS TO OTHERS WITHOUT EXPLICIT AUTHORIZATION IS PROHIBITED. OFFENDERS WILL BE HELD LIABLE FOR THE PAYMENT OF DAMAGES. ALL RIGHTS RESERVED IN THE EVENT OF THE GRANT OF A PATENT, UTILITY MODEL OR DESIGN. (PER ISO 16016)