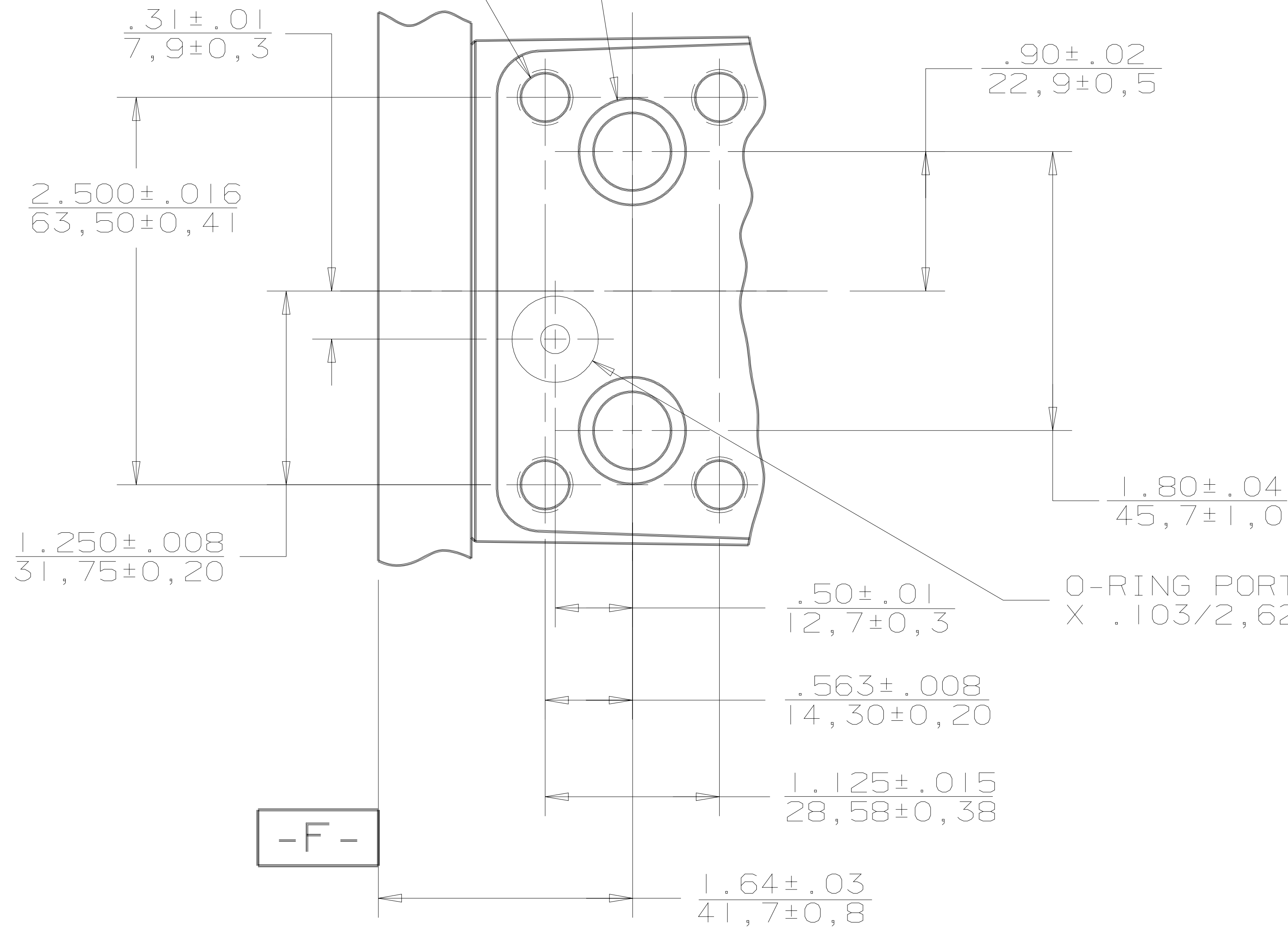


REV	DESCRIPTION	BY	CHK	DATE	ECN
A	ENGINEERING RELEASE	SMM		10/18/04	M62843A

.3125-18UNC-2B X
.50/12,7 MIN. DP.
FOUR

GROOVE PROVIDED FOR .487/12,37 I.D.
X .103/2,62 CROSS SECTION O-RING
(DASH NO. 112) TWO



NOTE
1 PORT TYPE C OR L

UNLESS OTHERWISE SPECIFIED ALL DIMENSIONS ARE IN INCHES <input type="checkbox"/> MILLIMETERS [INCHES] <input checked="" type="checkbox"/>	DRAWING BASED ON ANSI Y14.5M-1982	
	THE REPRODUCTION, DISTRIBUTION, AND UTILIZATION OF THIS DOCUMENT, AS WELL AS THE COMMUNICATION OF ITS CONTENTS TO OTHERS WITHOUT EXPLICIT AUTHORIZATION IS PROHIBITED. OFFENDERS WILL BE HELD LIABLE FOR THE PAYMENT OF DAMAGES. ALL RIGHTS RESERVED IN THE EVENT OF THE GRANT OF A PATENT, UTILITY MODEL, OR DESIGN. (PER ISO 16016)	
TOLERANCES .X ± ---- .XX ± ---- .XXX ± ---- ∠ ± ----	DRAWN BY/DATE SMM 10/21/04 CHECKED BY/DATE AGJ 10/21/04 ENGRG BY/DATE JDM 10/21/04 METALLURGY BY/DATE ----	MATERIAL/HEAT TREAT
UNSPECIFIED RADII ARE ---		TITLE PORT INSTALLATION
UNSPECIFIED DRAFT ANGLES ARE ---	THIRD ANGLE PROJECTION	NUMBER A-110-303
DRAWING FORMAT CADD <input checked="" type="checkbox"/> MANUAL <input type="checkbox"/>	DO NOT SCALE	SCALE 1/1 SHEET 1 OF

Danfoss

MOTOR CENTERLINE