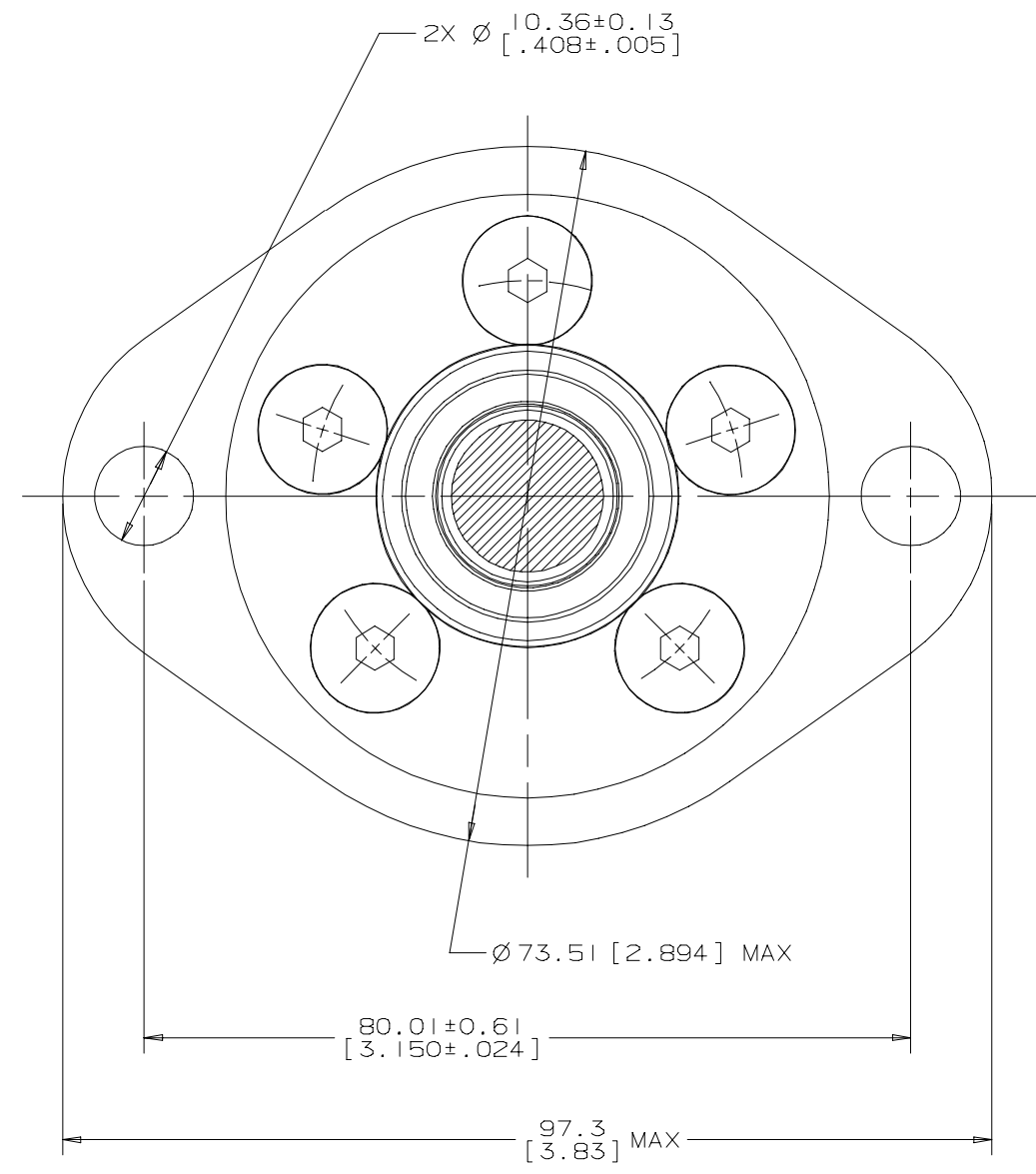
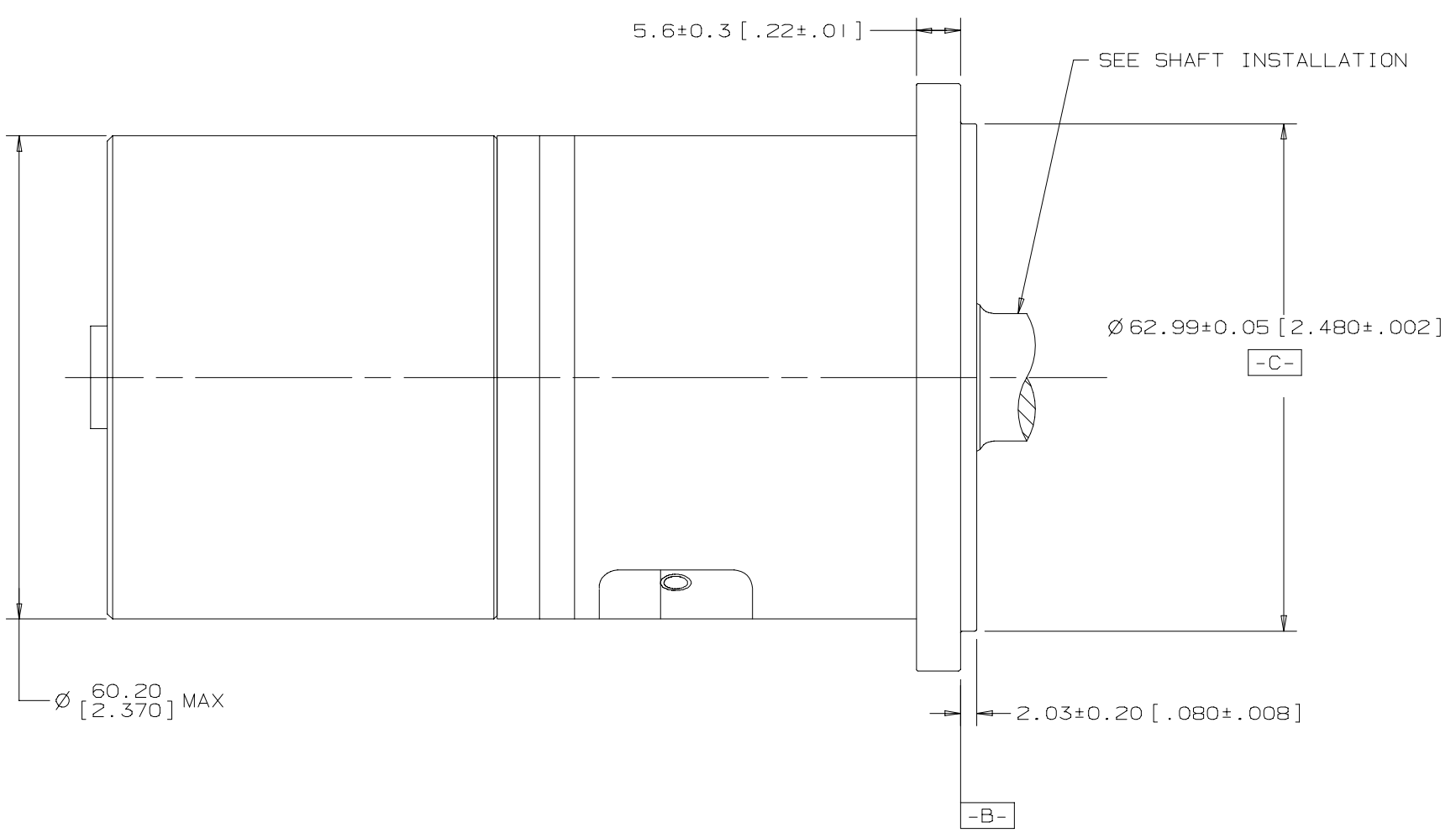
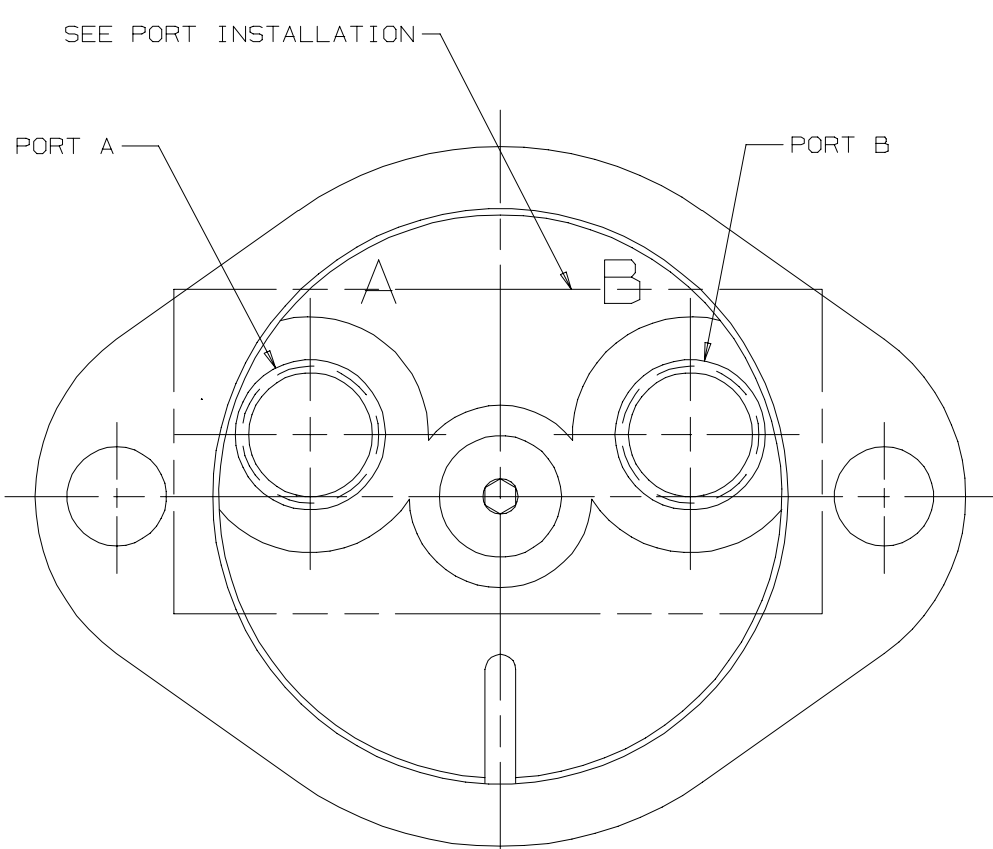


REV	DESCRIPTION	BY	DATE	ECN
A	ENGINEERING RELEASE	RAF	1-25-94	24688
B	(7C) REVISED PICTORIALY	RAF	3-15-94	25312
C	(7B) REVISED PICTORIALY	RAF	1-23-96	27675



NOTE

1 ROTATION  
 0 = STANDARD: WHEN FACING SHAFT END OF MOTOR SHAFT TO ROTATE CLOCKWISE WHEN PORT "A" IS PRESSURIZED COUNTERCLOCKWISE WHEN PORT "B" IS PRESSURIZED

1 = REVERSE: WHEN FACING SHAFT END OF MOTOR SHAFT TO ROTATE COUNTERCLOCKWISE WHEN PORT "B" IS PRESSURIZED CLOCKWISE WHEN PORT "A" IS PRESSURIZED

2 MOUNTING FLANGE:  
 C = 2 BOLT: Ø 62.99 [2.480] X 2.0 [.08] PILOT Ø10.36 [.408] MOUNTING HOLES ON Ø 80.01 [3.150] BOLT CIRCLE

M R G

UNLESS OTHERWISE SPECIFIED ALL DIMENSIONS ARE IN INCHES <input type="checkbox"/> MILLIMETERS <input checked="" type="checkbox"/>		DRAWING BASED ON ANSI Y14.5M-1982	
TOLERANCES		THE REPRODUCTION, DISTRIBUTION, AND UTILIZATION OF THIS DOCUMENT AS WELL AS THE COMMUNICATION OF ITS CONTENTS TO OTHERS WITHOUT EXPLICIT AUTHORIZATION IS PROHIBITED. OFFENDERS WILL BE HELD LIABLE FOR THE PAYMENT OF DAMAGES. ALL RIGHTS RESERVED IN THE EVENT OF THE GRANT OF A PATENT, UTILITY MODEL, OR DESIGN. (PER ISO 15916)	
.x	----	DRAM	RAF 1/27/94
.xx	+REF	CHECKED	AGJ 2/9/94
.xxx	+ONLY	ENGRD	WEW 2/9/94
<	----	METALLURGY	BY/DATE
UNSPECIFIED RADII ARE	----	TITLE	J2 MOTOR INSTALLATION
UNSPECIFIED DRAFT ANGLES ARE	----	MICROINCHES MICROINCHES	NUMBER
DRAWING FORMAT	DO NOT SCALE	THIRD ANGLE PROJECTION	A-817-006
CAD <input checked="" type="checkbox"/> MANUAL <input type="checkbox"/>	ARITHMETICAL AVERAGE	SCALE	2/1 SHEET 1 OF 1