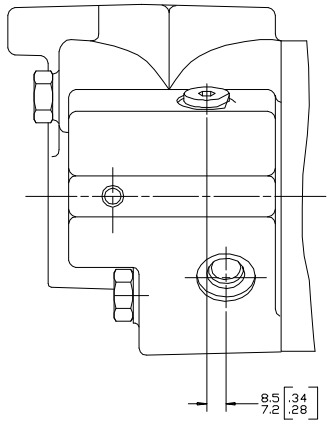
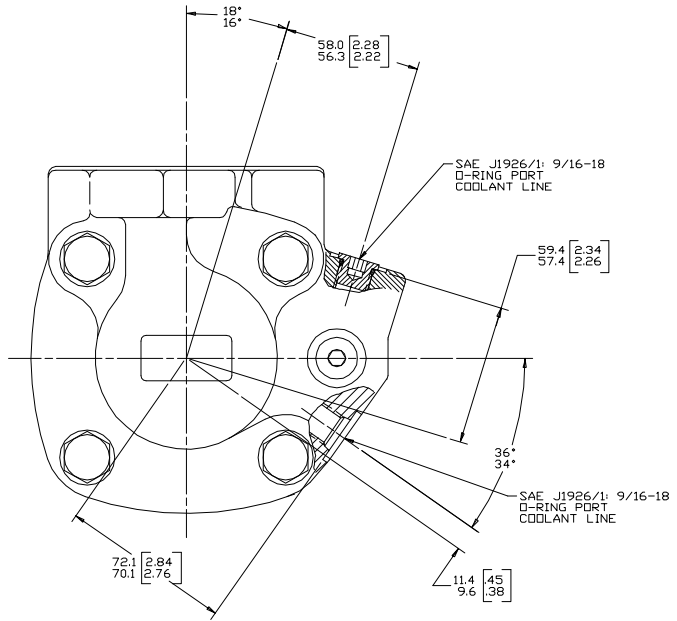
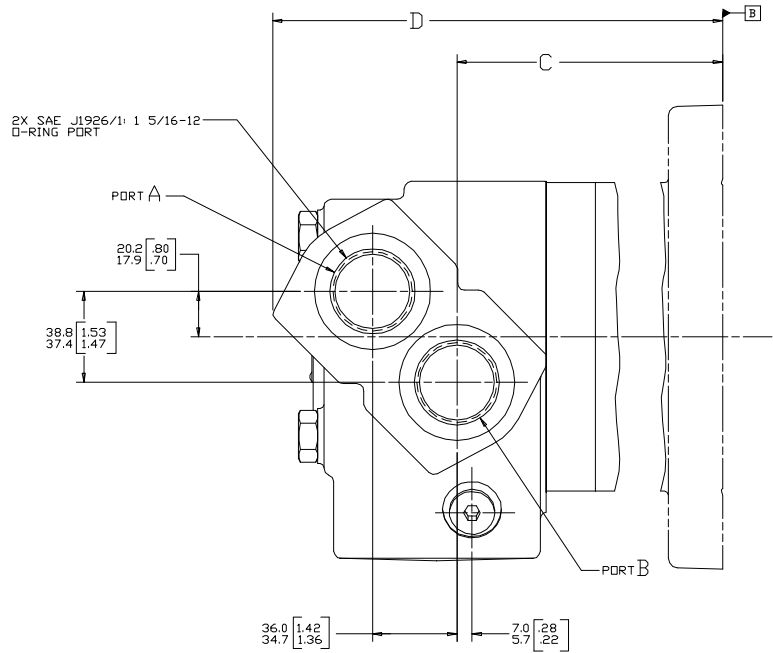


MOUNTING TYPE AA			MOUNTING TYPE AB & AE		
DISP	C	D MAX	DISP	C	D MAX
120	104.8-106.1 [4.13-4.18]	188.4 [7.42]	120	186.7-188.2 [7.35-7.41]	270.4 [10.65]
150	110.4-111.8 [4.35-4.40]	194.0 [7.64]	150	192.3-193.8 [7.57-7.63]	276.0 [10.87]
190	117.7-119.0 [4.63-4.69]	201.2 [7.92]	190	199.6-201.1 [7.86-7.92]	283.3 [11.15]
239	126.5-127.8 [4.98-5.03]	210.1 [8.27]	239	208.4-209.9 [8.20-8.26]	292.1 [11.50]
300	137.6-138.9 [5.42-5.47]	221.1 [8.71]	300	219.4-221.0 [8.64-8.70]	303.2 [11.94]
381	152.3-153.6 [6.00-6.05]	235.8 [9.28]	381	234.1-235.7 [9.22-9.28]	317.9 [12.52]
450	164.9-166.2 [6.49-6.54]	248.4 [9.78]	450	246.7-248.3 [9.71-9.77]	330.5 [13.01]
490	172.1-173.5 [6.78-6.83]	255.7 [10.07]	490	254.0-255.5 [10.00-10.06]	337.7 [13.30]
600	192.0-193.3 [7.56-7.61]	275.5 [10.85]	600	273.9-275.4 [10.78-10.84]	357.6 [14.08]

REV	DESCRIPTION	BY	CHK	DATE	ECN
A	ENGINEERING RELEASE	RAF		8-30-95	M14044
B	ADDED DISPLACEMENT CODE '49' TO ALL TABS	CMR		7-23-98	31517
C	REVISED TAB 'D' MOUNTING TYPE B & E	MGF		5-29-03	44327
D	REVISED	JSB		12-11-06	0001664
E	-1)REVISED ALL DIMENSIONS AS PER STACK UP -2)DRAWING UPDATED TO ASME Y14.5M-1994 STANDARD -3)7D(X)BD) REVISED TABULATION BLOCK AS PER STACK UP	CSG		02-04-13	M88198



NOTE  
1 PORT OPTION AA

REVIEWED FOR CLASSIFICATION PER ESP-042

UNLESS OTHERWISE SPECIFIED ALL DIMENSIONS ARE IN INCHES	DRAWING BASED ON ASME Y14.5M-1994	
DOES NOT INCLUDE DIMENSIONS	THE REPRODUCTION, DISTRIBUTION AND UTILIZATION OF THIS DOCUMENT AS WELL AS THE COMBINATION OF ITS CONTENTS TO OTHERS WITHOUT EXPRESS AUTHORIZATION IS PROHIBITED. OFFENDERS WILL BE HELD LIABLE FOR THE PAYMENT OF DAMAGES. ALL RIGHTS RESERVED IN THE EVENT OF THE GRANT OF A PATENT, UTILITY MODEL, OR DESIGN. (PER ISO 1010)	
TOLERANCES		
X - REF	DRAWN BY/DATE	MATERIAL/HEAT TREAT
XX - REF	ENGINEER/DATE	
XXX - DIM ONLY	CHECKED/DATE	
UNSPECIFIED RADI ARE	ENGRS. WCV 9-18-95	TITLE
UNSPECIFIED DRAFT ANGLES ARE	METALLURGY BY/DATE	6000 SERIES MOTOR PORT INSTALLATION
THIRD ANGLE PROJECTION	THIRD ANGLE PROJECTION	NUMBER
D SIZE	DO NOT SCALE	METRIC/AVERAGE
	SCALE 1/1	SHEET 1 OF 1