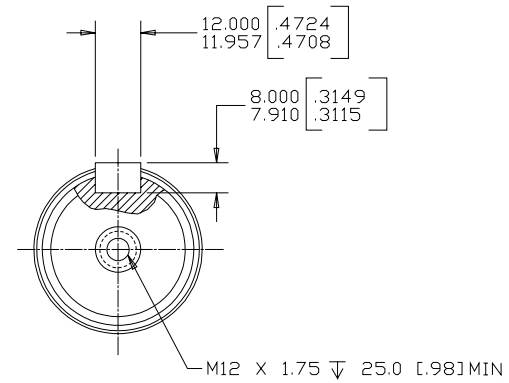


REV	DESCRIPTION	BY	CHK	DATE	ECN
A	ENGINEERING RELEASE	RAF		8-30-95	M14044
B	-1>MOUNTING TYPE WAS 'B' AND 'E' -2>OUTPUT SHAFT WAS '10'	VBH		12-11-06	0001664
C	-1>93.9/91.4[3.70/3.60] WAS 94.4/91.6 [3.72/3.60] -2>MAX COUPLING LENGTH WAS 75.7[2.98] -3>DRAWING UPDATED TO ASME Y14.5-2009 STANDARD	ABH	NR1	08-11-14	M93720



NOTE

- 1 MOUNTING TYPE: OPTION AB AND AE
- 2 OUTPUT SHAFT: OPTION 04

CS REVIEWED FOR CLASSIFICATION PER ESP-042

UNLESS OTHERWISE SPECIFIED ALL DIMENSIONS ARE IN INCHES <input type="checkbox"/> MILLIMETERS <input checked="" type="checkbox"/>		DRAWING BASED ON ASME Y14.5-2009	
TOLERANCES x ± ---- xx ± REF xxx ± ONLY / ± ----		THE REPRODUCTION, DISTRIBUTION, AND UTILIZATION OF THIS DOCUMENT, AS WELL AS THE COMMUNICATION OF ITS CONTENTS TO OTHERS WITHOUT EXPLICIT AUTHORIZATION IS PROHIBITED. OFFENDERS WILL BE HELD LIABLE FOR THE PAYMENT OF DAMAGES. ALL RIGHTS RESERVED IN THE EVENT OF THE GRANT OF A PATENT, UTILITY MODEL, OR DESIGN. (PER ISO 1016)	
UNSPECIFIED RADII ARE ----		DRAWN BY/DATE RAF 9-7-95	MATERIAL/HEAT TREAT
UNSPECIFIED DRAFT ANGLES ARE ----		CHECKED BY/DATE	TITLE 6000 SERIES MOTOR SHAFT INSTALLATION
B SIZE		ENGRG BY/DATE METALLURGY BY/DATE	NUMBER A-1020-010
		THIRD ANGLE PROJECTION	SCALE 1/1 SHEET 1 OF 1
		ARITHMETICAL AVERAGE	

Danfoss